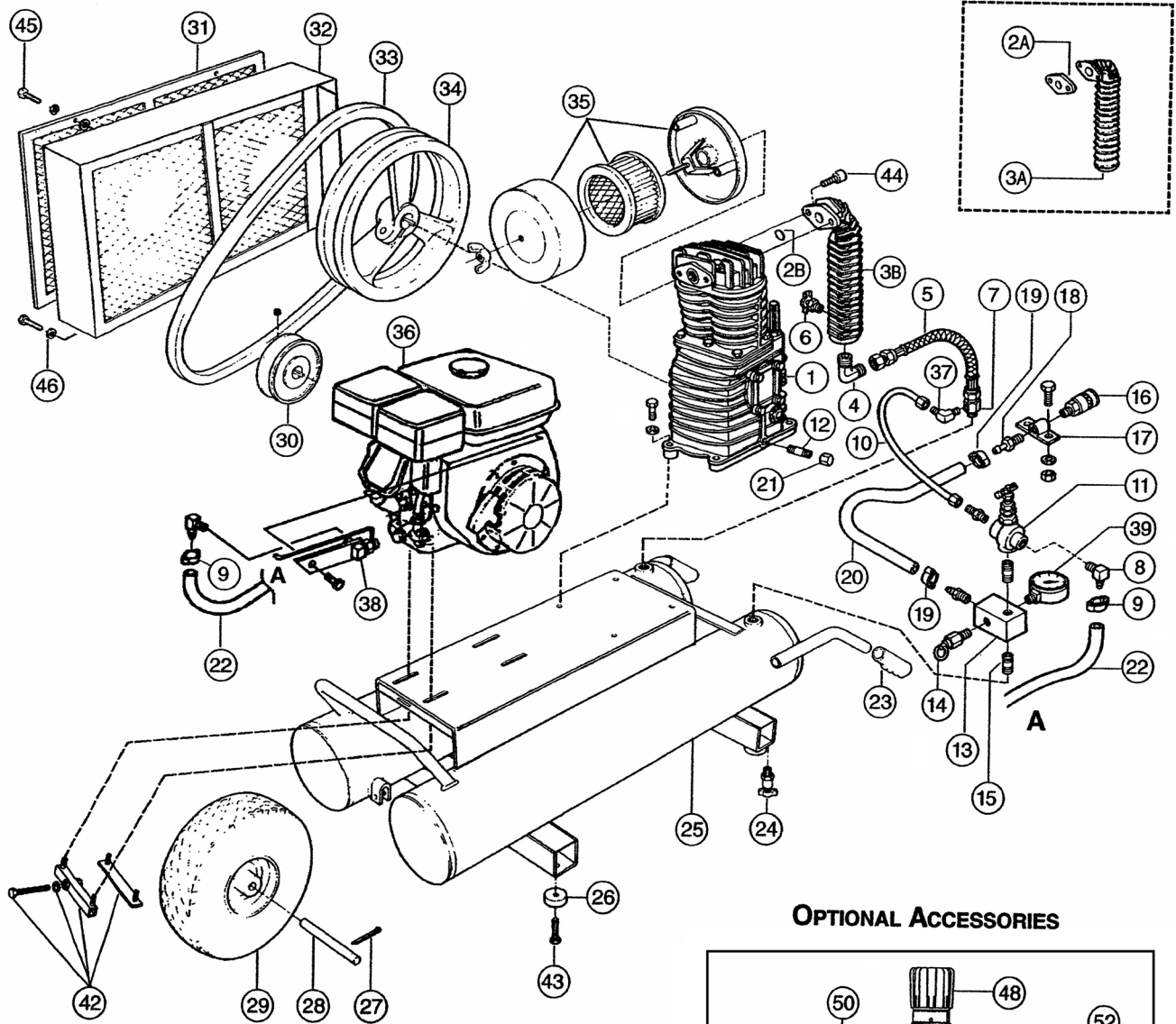
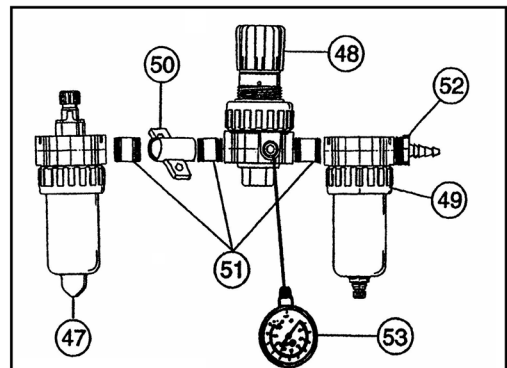


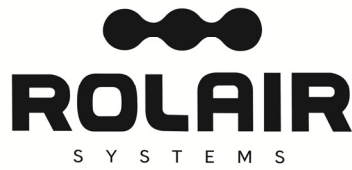
ROLAIR

SCHEMATIC FOR
4090HK17



OPTIONAL ACCESSORIES





PARTS LIST FOR MODEL 4090HK17

Schem #	Description	Part #	Qty.	Schem #	Description	Part #	Qty.	
1	Twin Cylinder Pump with Flywheel	PMP12K17CH	1	26	Rubber Foot	219	4	
	Twin Cylinder Pump less Flywheel	PMP12K17CHLF	1	27	Cotter Pin	181A	2	
2A	Gasket	30501490CH	1	28	Axle	181	1	
2B	O-Ring	30502510CH	1	29	Foam-Filled Flat-Free Tire	WLS50	1	
3A	Aftercooler	3290146ACH	1		30	Pulley	PUAK44X0750	1
3B	Aftercooler - O-Ring Style	Use 3290146ACH	1	31	Belt-Guard Cover (Before S/N 11070001)	**N.L.A.		
4	Brass Elbow	145D	1			(After S/N 11070001)	BG9145	1
5	Braided Discharge Tube	145F	1	32	Belt-Guard Base (Before S/N 11070001)	**N.L.A.		
6	Drain Valve	132	1			(After S/N 11070001)	BG9140B	1
7	Check Valve	CV4X4TA	1	33	Belt	BT4L510/A49	1	
8	Brass Elbow	BREL0250X0125H16	2	34	Flywheel	31007280CH	1	
9	Hose Clamp	177	2	35	Silencer/Filter Assembly	FS14050	1	
10	1/4" Nylon Tube – 14.4"	178D	1.2'			Filter Element – Replacement for Above	431	1
	Brass Nut	BRNT0250	2	36	Honda Engine	ENG05HO1	1	
	Brass Sleeve	BRSL0250	2		37	Brass Elbow	BREL0250X012539	1
	Brass Ring	BRRG0250	2	38	Throttle Control Kit	192EGX160K1QX	1	
11	Pilot Unloader Valve	131B	1	39	Gauge	GA0250200GC	1	
	Felt Muffler	131BM	1	42	Belt Tightener/Mounting Kit	SBT5HP-ANGLE*	1	
	Retainer Ring	131BR	1		43	Screw	MIS10008	4
12	Nipple	BLNP0250X1500	1	44	Bolt	37302530CH	2	
13	Aluminum Block Manifold	154	1	45	Bolt	MIS10094	5	
14	Safety Relief Valve	SRV0250N165	1		46	Bolt	MIS10022	2
15	Nipple	BLNP0500X1500	1			Lock Washer	MIS10099	2
16	Quick Disconnect	309A	1		Washer	MIS10108	2	
17	Accessory Bracket	210	1		(Accessories)			
18	Brass Coupler	BRCP0375X0375H12	2	47	Lubricator	LUB0375	1	
19	Hose Clamp	177A	2	48	Regulator	REG0375	1	
20	3/8" Rubber Hose – 16"	178A	1.34'	49	Filter (Water Trap)	FIL0375	1	
21	Cap	BLCA0250	1	50	Accessory Bracket	210	1	
22	1/4" Rubber Hose – 36"	178	3'		51	Nipple	BLNP0375X1500	3
23	Handle Grip	328	2	52	Brass Coupler	BRCP0375X0375H12	1	
24	Drain Valve	132BV	2	53	Gauge	GA0250200GC	1	
25	Twin Tank Assembly	TNKASY4090K17	1					

*For units built prior to February 2005, order SBT5HP-SQUARE.

** For units built prior to July 2011, order complete belt guard, part number BG9140B and BG9145.

