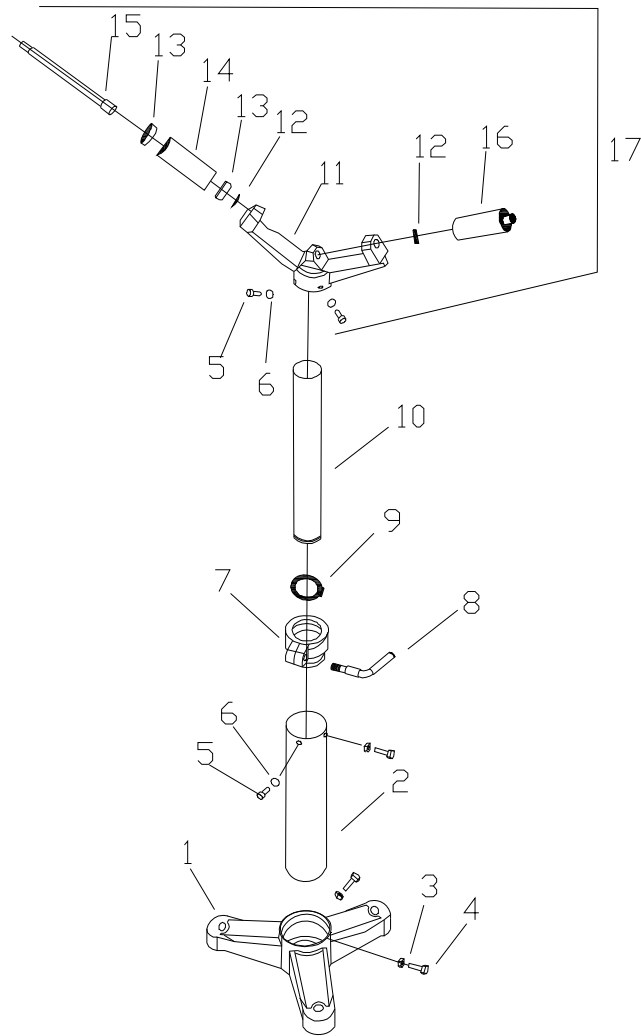


## Parts List: V-Roller Material Support Stand (Stock # 414122)

Index No.	Part No.	Description	Size	Qty
1	150-3020A-01	Base		1
2	150-3020A-02	Outer Column		1
3	TS-1540071	Hex Nut	M10	2
4	TS-1505041	Socket Head Cap Screw	M10x30	2
5	TS-1504051	Socket Head Cap Screw	M8x25	4
6	TS-1540061	Hex Nut	M8	4
7	150-3020A-07	Column Clamp		1
8	150-3020A-08	Handle		1
9	150-3020A-09	Retaining Ring	56 mm	1
10	150-3020A-10	Inner Column		1
11	150-3025A-11	V-Roller Housing		1
12	150-3020A-12	Spacer	16 mm	2
13	BB-6302Z	Ball Bearing	6302Z	4
14	150-3025A-14	Roller		2
15	150-3025A-15	Shaft		2
16	150-3025A-16	Roller Assembly (index #13,14,15)		2
17	150-3025A-17	Complete V-Roller Head Assembly		1
18	150-3025A-18	ID Label		1



## Parts List: Horizontal Roller Material Support Stand (Stock # 414121)

Index No.	Part No.	Description	Size	Qty
1.....	150-3020A-01	Base.....		1
2.....	150-3020A-02	Outer Column.....		1
3.....	TS-1540071	Hex Nut.....	M10.....	2
4.....	TS-1505041	Socket Head Cap Screw.....	M10x30.....	2
5.....	TS-1504051	Socket Head Cap Screw.....	M8x25.....	4
6.....	TS-1540061	Hex Nut.....	M8.....	4
7.....	150-3020A-07	Column Clamp.....		1
8.....	150-3020A-08	Handle.....		1
9.....	150-3020A-09	Retaining Ring.....	56 mm.....	1
10.....	150-3020A-10	Inner Column.....		1
11.....	150-3020A-11	H-Roller Housing.....		1
12.....	150-3020A-12	Spacer.....	16 mm.....	2
13.....	BB-6302Z	Ball Bearing.....	6302Z.....	2
14.....	150-3020A-14	Roller.....		1
15.....	150-3020A-15	Shaft.....		1
16.....	150-3020A-16	Roller Assembly (index #13,14,15).....		1
17.....	150-3020A-17	Complete Horizontal Roller Head Assembly.....		1
18.....	150-3020A-18	ID Label.....		1

