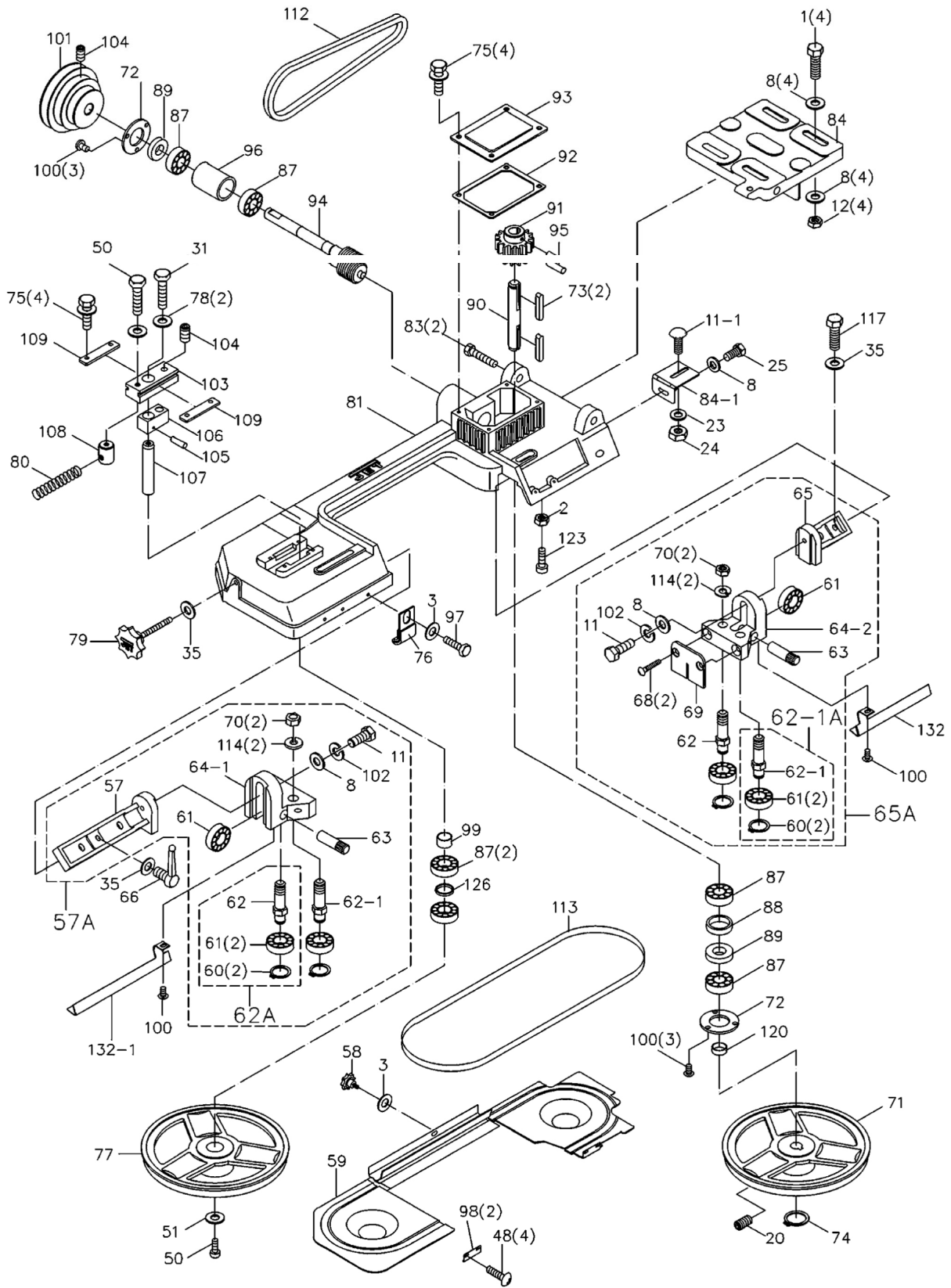
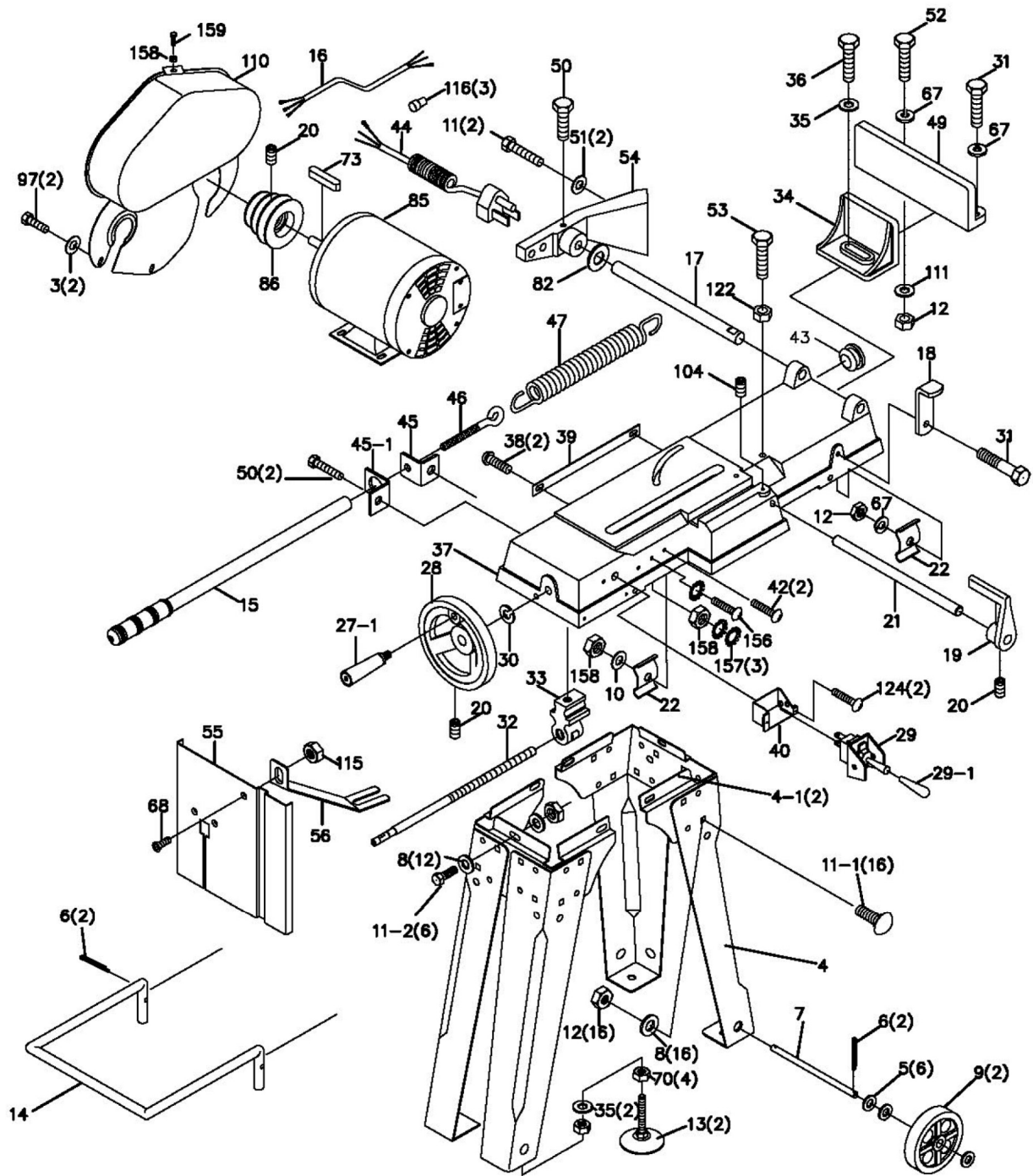


Breakdown for Bow Assembly



Breakdown for Base Assembly



Parts List for the HVBS-56M Bandsaw

Index No.	Part No.	Description	Size	Qty.
1	TS-0051031	Hex Cap Bolt	5/16"x3/4"	4
2	TS-0561011	Hex Nut	1/4"	1
3	TS-0680021	Flat Washer	1/4"	4
4	HVBS56M-04	Stand Leg		4
4-1	HVBS56M-04-1	Cross Brace		2
5	HVBS56M-05	Washer		6
6	HVBS462-006	Cotter Pin	1/8"x1"	4
7	HVBS56M-07	Axle		1
8	TS-0680031	Flat Washer	5/16"	38
9	HVBS56M-09	Wheel		2
10	HVBS56M-010	Washer	1/4"x5/8"	1
11	TS-0051051	Hex Cap Bolt	5/16"x1"	4
11-1	HVBS56M-11-1	Carriage Bolt	5/16"x3/4"	16
11-2	TS-0051051	Hex Cap Bolt	5/16"x1"	6
12	TS-0561021	Hex Nut	5/16"	22
13	HVBS56M-013	Adjustable Foot		2
14	HVBS462-014	Floor Stand Handle		1
15	HVBS462-015	Adjusting Rod		1
16	HVBS462-016	Electric Cord		1
17	HVBS462-017	Pivoting Rod		1
18	HVBS462-018	Support Plate		1
19	HVBS462-019	Stock Stop		1
20	TS-0270021	Socket Set Screw	5/16"x5/16"	4
21	HVBS462-021	Stock Stop Rod		1
22	HVBS462-022	Wire Relief Retainer		2
25	TS-0051031	Hex Cap Bolt	5/16"x3/4"	1
27	HVBS462-027	Wheel Handle		1
28	HVBS462-028	Hand Wheel		1
29	HVBS56M-029	Toggle Switch Assembly		1
29-1	HVBS56M-029-1	Plastic Cover		1
30	HVBS462-030	E-Ring	E10	1
31	HVBS462-031	Screw	5/16"x1"	3
32	HVBS462-032	Lead Screw		1
33	HVBS462-033	Vise Nut		1
34	HVBS462-034	Moveable Vise Plate		1
35	TS-0680041	Flat Washer	3/8"x1"	4
36	TS-0090061	Hex Cap Bolt	3/8"x1-1/4"	1
37	HVBS462-037	Bed		1
38	HVBS462-038	Cross Round Head Screw	3/16"x3/8"	2
39	HVBS462-039	Scale		1
40	HVBS462-040	Electric Cord Clip		1
42	HVBS56M-042	Screw	M4x16	2
43	HVBS462-043	Rubber Ring		1
44	HVBS462-044	Electric Cable		1
45	HVBS462-045	Nut Plate		1
45-1	HVBS56M-045-1	Spring Handle Bracket		1
46	HVBS462-046	Spring Adjusting Screw		1
47	HVBS462-047	Spring		1
48	HVBS462-048	Cross Round Head Screw	3/16"x3/8"	4
49	HVBS462-049	Mitering Vise Plate		1
50	TS-0081031	Hex Cap Bolt	5/16"x3/4"	6

Index No.	Part No.	Description	Size	Qty.
49	HVBS462-049	Mitering Vise Plate		1
50	TS-0081031	Hex Cap Bolt	5/16"x3/4"	6
51	TS-0680031	Flat Washer	5/16"	3
52	TS-0081071	Hex Cap Bolt	5/16"x1-1/2"	1
53	TS-0091071	Hex Cap Screw	7/16"x2"	1
54	HVBS56M-054	Pivot Bracket		1
55	HVBS462-055	Vertical Cutting Plate		1
56	HVBS462-056	Stand for Vertical Cutting Plate		1
57	HVBS56M-057	Adjustable Bracket LH		1
57A	HVBS56M-057A	Adjustable Bracket Assembly LH		1
58	HVBS462-058	Knob	1/4"	1
59	HVBS56M-380	Blade Back Safety Cover		1
60	HVBS462-060	C-Clip	S10	4
61	BB-6000ZZ	Ball Bearing	6000ZZ	6
62	HVBS462-062	Guide Pivot		2
62A	HVBS462-062A	Center Shaft Assembly (Includes: #60-62)		1
62-1	HVBS462-062-1	Centrifugal Guide Pivot		2
62-1A	HVBS462-062-1A	Eccentric Shaft Assembly (Includes: #60,61,62-1)		1
63	HVBS462-063	Bearing Shaft Pin		2
64-1	HVBS462-064-1	Blade Seat Left		1
64-2	HVBS462-064-2	Blade Seat Right		1
65	HVBS56M-065	Adjustable Bracket-RH		1
65A	HVBS56M-065A	Adjustable Bracket-Assembly RH		1
66	HVBS56M-066	Lock Knob		1
67	TS-0720081	Lock Washer	5/16"	3
68	TS-0813051	Flat Head Machine Screw	1/4"x3/4"	3
69	HVBS462-069	Bearing Guard		1
70	TS-0561031	Hex Nut	3/8"	4
71	HVBS462-071	Blade Wheel Drive		1
72	HVBS462-072	Bearing Cover		2
73	HVBS462-073	Key	5x5x25	2
74	HVBS56M-060	C-Clip	S15	1
75	HVBS462-075	Hex Cap Bolt (w/Washer)	1/4"x1/2"	8
76	HVBS462-076	Switch Cut Off Trip		1
77	HVBS462-077	Idle Blade Wheel		1
78	TS-0680031	Flat Washer	5/16"	2
79	HVBS462-079	Blade Tension Knob	3/8"	1
80	HVBS462-080	Spring		1
81	HVBS56M-081	Saw Bow		1
82	HVBS56M-082	Washer		1
83	TS-0070031	Cap Screw	1/2"x1-1/2"	2
84	HVBS56M-084	Motor Mount Plate		1
84-1	HVBS56M-084-1	Tension Bracket		1
85	HVBS463-085	Motor	1/2 HP, 1Ph	1
	HVBS463-085-01	Capacitor Cover (not shown)		1
	HVBS462-085-02	Capacitor (not shown)		1
86	HVBS462-086	Motor Pulley		1
87	BB-6202ZZ	Ball Bearing	6202ZZ	6
88	HVBS462-088	Bearing Bushing		1
89	OS-15375	Oil Seal		2
90	HVBS462-090	Transmission Wheel Shaft		1
91	HVBS462-091	Worm Gear		1
92	HVBS462-092	Gear Box Gasket		1
93	HVBS462-093	Gear Box Cover		1

Index No.	Part No.	Description	Size	Qty.
94	HVBS462-094	Worm Gear (w/Shaft)		1
95	HVBS462-095	Spring Pin		1
96	HVBS462-096	Bearing Bushing		1
97	TS-0050011	Hex Cap Bolt	1/4"x1/2"	3
98	HVBS56M-098	Clamp		2
99	HVBS462-099	Spacer		1
100	HVBS462-100	Flat Cross Head Screw	5/32"x3/8"	8
101	HVBS462-101	Worm Gear Pulley		1
102	TS-0720081	Lock Washer	5/16"	2
103	HVBS462-103	Blade Tension Sliding Plate		1
104	TS-0270051	Socket Set Screw	5/16"x1/2"	3
105	HVBS462-105	Spring Pin		1
106	HVBS462-106	Sliding Plate Draw Block		1
107	HVBS462-107	Blade Wheel Shaft		1
108	HVBS462-108	Shaft Block		1
109	HVBS462-109	Blade Tension Sliding Guide		2
110	HVBS462-110	Motor Pulley Cover Assembly		1
111	TS-0680031	Flat Washer	5/16"	1
112	VB-A22	V-Belt	A22	1
113	414301	Blade		1
114	TS-0680041	Flat Washer	3/8"	4
115	TS-0561011	Hex Nut	1/4"	1
116	HVBS463-170	Wire Plug		3
117	HVBS463-171	Hex Screw	3/8"x1-1/4"	1
120	HVBS462-120	Bushing		1
122	TS-0561041	Hex Nut	7/16"	1
123	TS-0050031	Cap Screw	1/4"x3/4"	1
124	HVBS463-124	Machine Screw	3/16"x3/4"	2
126	HVBS462-126	Bushing		1
132	HVBS462-132	Blade Guard-Right		1
132-1	HVBS462-132A	Blade Guard-Left		1
156	HVBS462-156	Round Head Screw	3/16"x3/4"	1
157	HVBS462-157	Star Washer	3/16"	3
158	HVBS463-158	Hex Nut	3/16"	2
159	HVBS463-159	Round Cross Head Screw	3/16"x1/2"	1
	HVBS56M-BS	Blade Speed Label (not shown)		1
	HVBS56M-ID	I.D. Label (not shown)		1
	HVBS56M-WL	Warning Label (not shown)		1
	JM-56M	Stripe Decal (not shown)		1

Wiring Diagram

