

Parts List: VBS-3612 Band Saw

(refer to breakdowns on pages 35 and 36)

Index No.	Part No.	Description	Size	Qty
1	VBS3612-101	Gear Box		1
2	TS-0209101	Socket Head Cap Screw	3/8"-16 x 2-1/4"	4
3	TS-0720091	Lock Washer	3/8"	26
4	TS-0680041	Flat Washer	3/8"	24
5	TS-0271091	Set Screw	3/8"-16 x 1"	4
6	VBS3612-106	Oil Seal	Φ40 x Φ30 x 7mm	1
7	VBS3612-107	Oil Seal	Φ52 x Φ30 x 7mm	1
8	VBS3612-108	Gear Box Cover		1
9	TS-0050011	Hex Cap Screw	1/4"-20 x 1/2"	4
10	TS-0720071	Lock Washer	1/4"	6
11	TS-0680021	Flat Washer	1/4"	6
12	VBS3612-112	Gear		1
13	VBS3612-113	Key	6 x 35mm	1
14	VBS3612-114	Oil Seal	Φ30 x Φ19 x 8mm	1
15	VBS3612-115	Retaining Ring	30	1
16	VBS3612-116	Gear		1
17	VBS2012-0530	Screw Nut	35mm	1
18	VBS3612-118	Screw Nut	26mm	1
19	VBS3612-119	Gear		1
20	VBS3612-120	Gear Shaft		1
21	VBS3612-121	Key	1/4 x 5/8"	2
22	VBS3612-122	Shaft Cover		1
23	TS-0207041	Socket Head Cap Screw	1/4"-20 x 3/4"	9
24	VBS3612-124	Gear		1
25	VBS3612-125	Main Shaft		1
26	VBS3612-126	Retaining Ring	30mm	1
27	VBS3612-127	Main Shaft Cover		1
28	VBS3612-128	Oil Seal	Φ58 x Φ40 x 8mm	1
29	VBS3612-129	Speed Changing Shaft		1
30	VBS3612-130	Speed Changing Arm		1
31	TS-0561011	Hex Nut	1/4"-20	3
32	VBS3612-132	Shaft Stopper		1
33	TS-0270051	Socket Set Screw	5/16"-18 x 1/2"	1
34	VBS3612-134	Spring		1
35	VBS3612-135	Slide Block		1
36	VBS3612-136	Clutch		1
37	VBS3612-137	Brass Bushing		2
38	VBS3612-138	Brass Bushing		1
39	VBS3612-139	Speed Changing Lever		1
40	VBS3612-140	Shaft Housing		1
41	VBS3612-141	Socket Head Cap Screw	10-24 x 5/8"	3
42	VBS3612-142	Speed Lever Ring		1
43	TS-0209031	Socket Head Cap Screw	3/8"-16 x 3/4"	1
44	VBS3612-144	Pulley	10" A2	1
45	TS-0209061	Socket Head Cap Screw	3/8"-16 x 1-1/4"	9
46	VBS3612-146	Lever Knob		1
47	BB-6008	Ball Bearing	6008	1
48	BB-6206	Ball Bearing	6206	1
49	BB-6304	Ball Bearing	6304	1
49A	VBS3612-149A	Work Table		1
50	VBS3612-150	Table Support Frame		1
51	TS-0060071	Hex Cap Screw	3/8"-16 x 1-1/2"	4
52	VBS3612-152	Table Support Housing		1
53	5513572	Socket Head Cap Screw doesn't match SAP	1/2"-12 x 2"	4
54	TS-0720111	Lock Washer	1/2"	8
55	TS-0680061	Flat Washer	1/2"	8

Index No.	Part No.	Description	Size	Qty
56	TS-0561021	Hex Nut	5/16"-18	4
57	VBS1220M-110	Guide Support Housing		1
58	TS-0208061	Socket Head Cap Screw	5/16"-18 x 1"	4
59	TS-0720081	Lock Washer	5/16"	34
60	TS-0680031	Flat Washer	5/16"	31
61	TS-1503061	Socket Head Cap Screw	M6 x 25	2
62	VBS3612-162	Right-Handed Screw	1/4 x 1"	1
63	TS-0207061	Socket Head Cap Screw	1/4-20 x 1"	2
64	VBS3612-164	Left-Handed Screw		1
65	VBS3612-165	Slider		1
66	VBS3612-166	Table Tilt Adjust Screw		1
67	VBS3612-167	Auxiliary Table		1
68	VBS3612-168	Auxiliary Table Support Frame		1
69	VBS3612-169	Table Bracket		2
70	TS-0209061	Socket Head Cap Screw	3/8"-16 x 1-1/4"	4
71	TS-0209081	Socket Head Cap Screw	3/8"-16 x 1-3/4"	4
72	VBS3612-172	Bracket		1
73	TS-0561031	Hex Nut	3/8"-16	4
74	VBS3612-174	Adjust Screw		2
75	VBS3612-175	Miter Gauge		1
76	TS-0208071	Socket Head Cap Screw	5/16"-18 x 1-1/4"	3
77	TS-1503021	Socket Head Cap Screw	M6 x 10	8
78	TS-1534032	Phillips Pan Head Machine Screw	M5 x 8	1
79	TS-2361051	Lock Washer	M5	19
80	VBS2012-1550	Rip Fence		1
81	VBS3612-181	Circle Cutting Attachment		1
82	TS-0208061	Socket Head Cap Screw	5/16"-18 x 1"	2
83	VBS3612-183	Hex Cap Screw	1/4"-20 x 2-3/4"	1
84	VBS3612-184	Holding Jaw		1
85	VBS3612-185	Feed Screw		1
86	VBS3612-186	Magnifying Glass		1
87	TS-1533032	Phillips Pan Head Machine Screw	M5 x 10	2
88	TS-1550031	Flat Washer	M5	2
89	VBS3612-189	Blade Guide Support		1
90	VBS3612-190	Blade Guide Support		1
91	VBS16-132	Blade Guides		4
92	TS-1503061	Socket Head Cap Screw	M6 x 25	4
93	TS-1551041	Lock Washer	M6	10
94	TS-1550041	Flat Washer	M6	4
95	VBS3612-195	Blade Stopper		1
96	VBS3612-196	Blade Stopper		1
97	VBS2012-1350	Blade Guide Post		1
98	VBS2012-1351	Gear Rack		1
99	TS-0206022	Socket Head Cap Screw	10-24 x 1/2"	3
100	VBS2012-1360	Guide Post Housing		1
101	VBS3612-1101	Blade Guard, Left		1
102	VBS3612-1102	Blade Guard, Right		1
103	VBS2012-1400	Spring		2
104	VBS2012-1410	Spring Locker		1
105	TS-0207071	Socket Head Cap Screw	1/4"-20 x 1-1/4"	2
106	VBS3612-1106	Post Housing Spring		1
107	VBS2012-1450	Post Elevating Gear		1
108	TS-1550071	Flat Washer	M10	1
109	TS-1540071	Hex Nut	M10	2
110	VBS3612-1110	Guide Post Locker		1
111	VBS3612-1111	Handwheel		1
112	TS-0270051	Socket Set Screw	5/16"-18 x 1/2"	1
113	VBS3612-1113	Handwheel Knob		1
114	VBS3612-1114	Main Drive Motor	3HP 3PH	1

Index No.	Part No.	Description	Size	Qty
115	TS-0051051	Hex Cap Screw	5/16"-18 x 1"	8
116	VBS3612-1116	Motor Pulley	4-1/8" A3	1
117	VB-A44	V-Belt	2010+7070	2
118	VB-A50	V-Belt	7300+7071	2
119	BA62	V-Belt	2010+4450	1
120	VBS2012-BV875	V-Belt	7020+7220	1
121	VBS1220A-301	Lower Wheel		1
122	VBS1220A-302	Rubber Tire		2
123	VBS3612-1123	Rubber Tire		1
124	VBS2012-3030	Tapered Sleeve		1
125	VBS2012-3040	Wheel Locking Nut		1
126	VBS1220A-305	Upper Wheel		1
127	VBS3612-1127	Auxiliary Wheel		1
128	VBS2012-3060	Upper Wheel Lock		2
129	VBS2012-3070	Upper Wheel Nut		1
130	VBS2012-3080CP	Slide Block Housing		1
131	TS-0209051	Socket Head Cap Screw	3/8"-16 x 1"	10
132	VBS3612-1132	Auxiliary Wheel Shaft		1
133	TS-0271071	Socket Set Screw	3/8"-16 x 3/4"	4
134	VBS2012-3090	Slide Block Seat		1
135	VBS2012-3100	Slide Block Guide		2
136	TS-0209071	Socket Head Cap Screw	3/8"-16 x 1-1/2"	4
137	VBS2012-3110	Upper Wheel Slider		1
138	TS-0267041	Socket Set Screw	1/4"-20 x 3/8"	4
139	VBS2012-3111	Slider Cover		1
140	VBS2012-3112	Slider Screw Shaft		1
141	VBS2012-3113	Slider Pin		1
142	VBS2012-3120	Wheel Elevation Shaft		1
143	VBS2012-3121	Spring		1
144	VBS2012-3150	Washer		1
145	VBS2012-3180	Indicator Rings		3
146	VBS2012-3190	Tension Indicator		1
147	VBS2012-3200	Wheel Tilt Adjuster		1
148	VBS2012-3220	Wheel Tilt Connector		1
149	VBS2012-3240	Connector Washer		1
150	VBS3612-1150	Connector Housing		1
151	TS-1504041	Socket Head Cap Screw	M8 x 20	3
152	VBS2012-9030	Handwheel		1
153	TS-0208031	Socket Head Cap Screw	5/16"-18 x 5/8"	2
154	VBS3612-1154	Wheel Tilt Knob		1
155	G6205	Ball Bearing	6205	2
156	BB-6305	Ball Bearing	6305	2
157	VBS3612-1157	Air Pump Suspension Arm		2
158	TS-0081031	Hex Cap Screw	5/16"-18 x 3/4"	4
159	VBS2012-4170	Air Nozzle		1
160	VBS2012-4180	Air Nozzle Clip		1
161	VBS3612-1161	Air Compressor		1
162	VBS3612-1162	Main Body		1
163	VBS3612-1163	Rear Door, Right		1
164	VBS3612-1164	Rear Door, Left		1
165	TS-1533032	Pan Head Screw	M5 x 10	14
166	VBS3612-1166	Front Lower Door		1
167	VBS3612-1167	Front Upper Door, Right		1
168	VBS3612-1168	Front Upper Door, Left		1
169	VBS3612-1169	Upper Door Hinge		4
170	TS-1533032	Phillips Pan Head Machine Screw	M5 x 10	12
171	TS-1540031	Hex Nut	M5	10
172	TS-1533052	Phillips Pan Head Machine Screw	M5 x 16	8
173	VBS3612-1173	Hinge		6

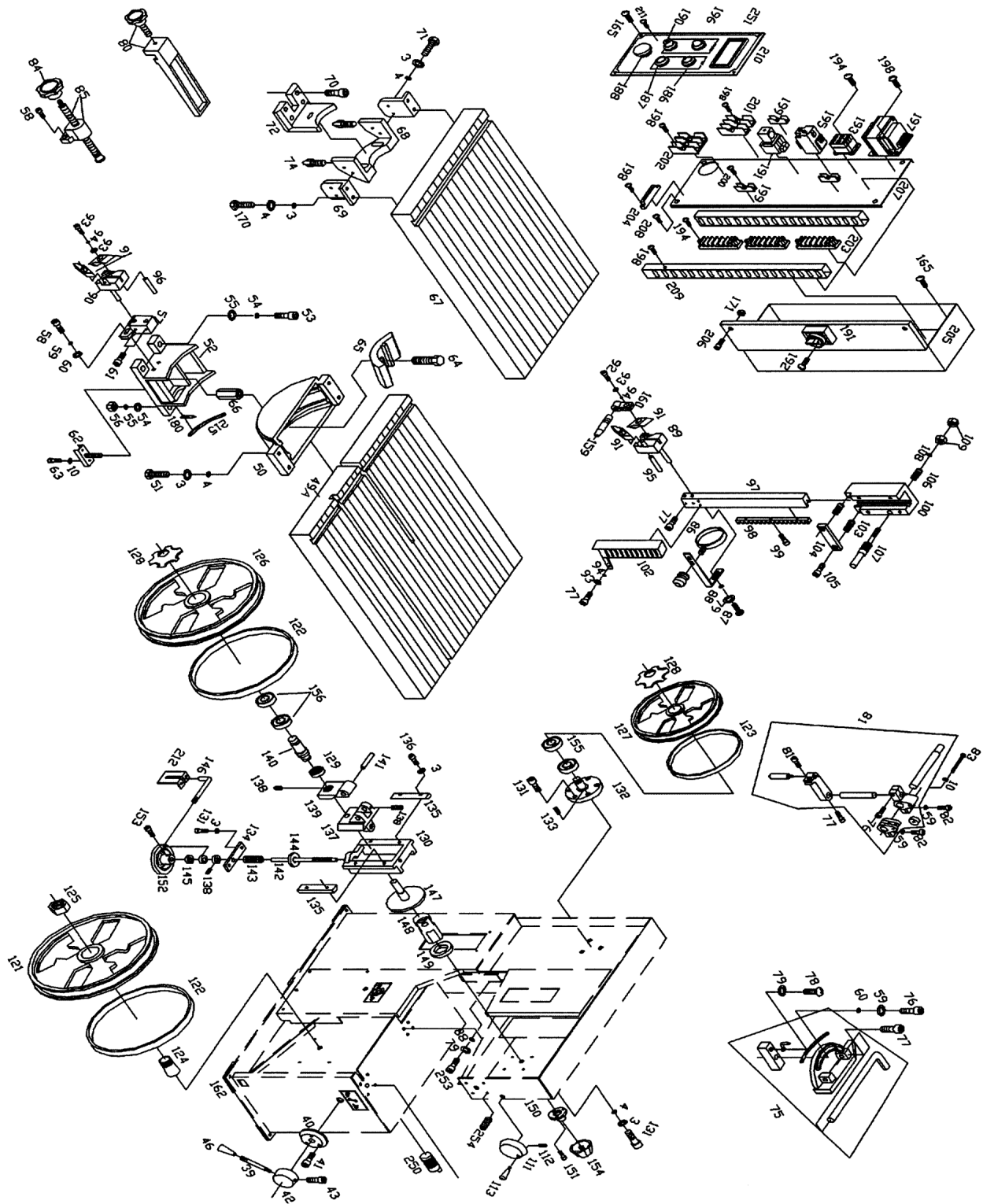
Index No.	Part No.	Description	Size	Qty
174	VBS3612-1174	Spring Plate		6
175	VBS3612-1175	Handle Arm		3
176	TS-1534052	Phillips Pan Head Machine Screw	M6 x 16	6
177	TS-1540041	Hex Nut	M6	6
178	9600	Chip Stopper		1
179	TS-2288202	Phillips Pan Head Machine Screw	M8 x 12	3
180	VBS3612-1180	Pointer		1
181	VBS2012-9780	Brush Bracket		1
182	TS-2361081	Lock Washer	M8	1
183	TS-0050031	Hex Cap Screw	1/4"-20 x 3/4"	1
184	VBS2012-9790	Chip Brush		1
185	VBS3612-1185	Eye Bolt		1
186	VBS2012-6600	Push button, On		1
187	VBS2012-6602	Push button, Off		1
188	VBS2012-6610	Emergency Stop Switch		1
189	VBS3612-1189	Limit Switch		3
190	VBS2012-6650	Key Switch		1
191	VBS3612-1191	Main Switch		1
192	TS-2284301	Phillips Flat Head Machine Screw	M4 x 20	2
193	VBS3612-1193	Contacto		1
194	TS-1532052	Phillips Pan Head Machine Screw	M4 x 15	8
195	VBS3612-1195	Overload Relay		1
196	VBS2012-6742	Pilot Light, Green (Power)		1
197	VBS3612-1197	Voltage Reducer		1
198	TS-2284082	Phillips Pan Head Machine Screw	M4 x 8	16
199	VBS3612-1199	Fuse Block		3
200	TS-1534052	Phillips Pan Head Machine Screw	M6 x 15	3
201	VBS3612-1201	Fuse Holder		2
202	VBS3612-1202	Fuse Holder		1
203	VBS3612-1203	Wire Housing		3
204	VBS3612-1204	Ground Seat		1
205	VBS3612-1205	Electrical Box		1
206	TS-1502081	Socket Head Cap Screw	M5 x 35	2
207	VBS3612-1207	Wiring Plate		1
208	TS-0810012	Round Head Screw	10-24 x 1/4"	4
209	VBS3612-1209	Wiring Duct		1
210	VBS3612-1210	Control Plate		1
211	VBS3612-1211	Copper Pan Head Screw	M4 x 10	6
212	VBS2012-8712	Indicator Plate		1
213	VBS2012-8372	Variator Instruction		1
214	VBS2012-8422	Gear Box Instruction		1
215	VBS3612-1215	Tilt Indicator Scale		1
216	VBS2012-7000CP	Motor Spring Housing		1
217	TS-0051061	Hex Cap Screw	5/16"-18 x 1-1/4"	16
218	VBS2012-7010	Spring		1
219	VBS3612-1219	Variator Disk, Upper Outer		1
220	TS-0208041	Socket Head Cap Screw	5/16"-18 x 3/4"	3
221	VBS2012-7030	Variator Disk, Upper Inner		1
222	VBS2012-7040	Variator Housing Tube		1
223	VBS3612-1223	Variator Disk Shaft		1
224	TS-1501051	Socket Head Cap Screw	M4 x 16	3
225	VBS3612-1225	Key	6 x 80mm	1
226	VBS2012-7060	Variator Housing		1
227	VBS3612-1227	Retaining Ring	16	1
228	VBS3612-1228	Pulley	9" A2	1
229	TS-0209051	Socket Head Cap Screw	3/8"-16 x 1"	1
230	VBS2012-7080	Worm Gear		1
231	TS-0207031	Socket Head Cap Screw	1/4"-20 x 5/8"	1
232	VBS2012-7090	Worm Gear Housing		1

Index No.	Part No.	Description	Size	Qty
233	TS-0267061	Set Screw	1/4"-20 x 5/8"	4
234	VBS2012-7100	Gear Shaft		1
235	VBS2012-7110	Worm		1
236	TS-0267041	Socket Set Screw	1/4"-20 x 3/8"	1
237	VBS2012-7120	Arm		1
238	VBS2012-7190	Screw Nut		1
239	BB-6007	Ball Bearing	6007	2
240	VBS2012-7200	Spring Housing		1
241	VBS2012-721	Spring		1
242	VBS2012-7220	Variator Disk, Lower Outer		1
243	VBS2012-7230	Variator Disk, Lower Inner		1
244	VBS2012-7250	Variator Shaft		1
245	VBS3612-1245	Key	6 X 60mm	1
246	VBS3612-1246	Shaft Housing		1
247	VBS2012-7290	Spacer		1
248	VBS3612-1248	Socket Head Cap Screw	10-24 x 5/8"	3
249	VBS3612-1249	Pulley	4-1/8" A2	1
250	VBS3612-1250	Speed Readout Detector		1
251	VBS1220M-661	Digital Tachometer		1
252	BB-6204	Ball Bearing	6204	1
253	TS-1502021	Socket Head Cap Screw	M5 x 10	1
254	TS-1524041	Socket Set Screw	M8 x 16	1
255	BB-6303	Ball Bearing	6303	1

Optional Accessories

Stock No	Description
5674030	Replacement Blade – 1/4" x .025" x 197" x 14R-C

VBS-3612 Band Saw



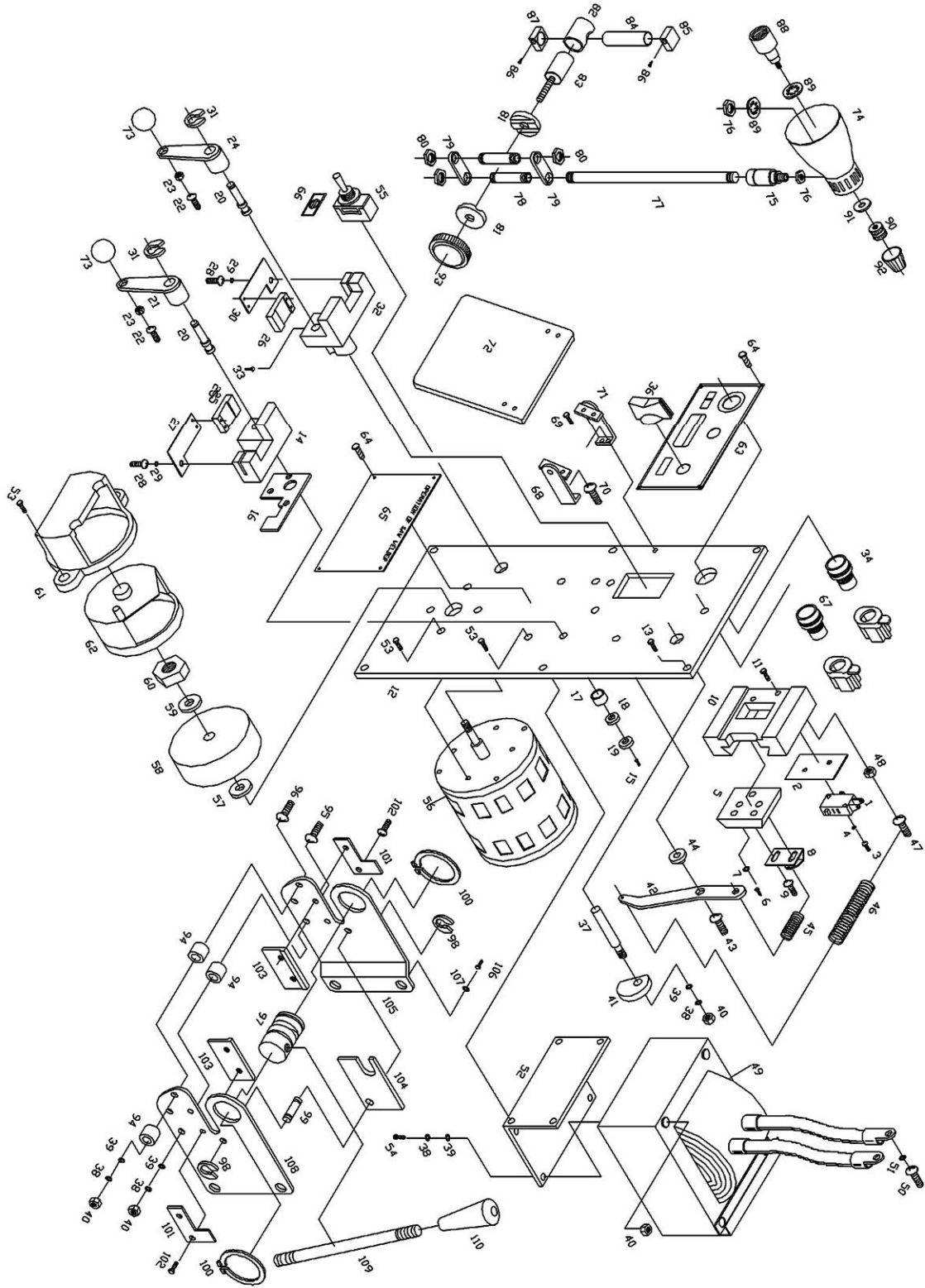
Parts List: Welder, Shear and Work Lamp Assemblies

(refer to breakdown on page 39)

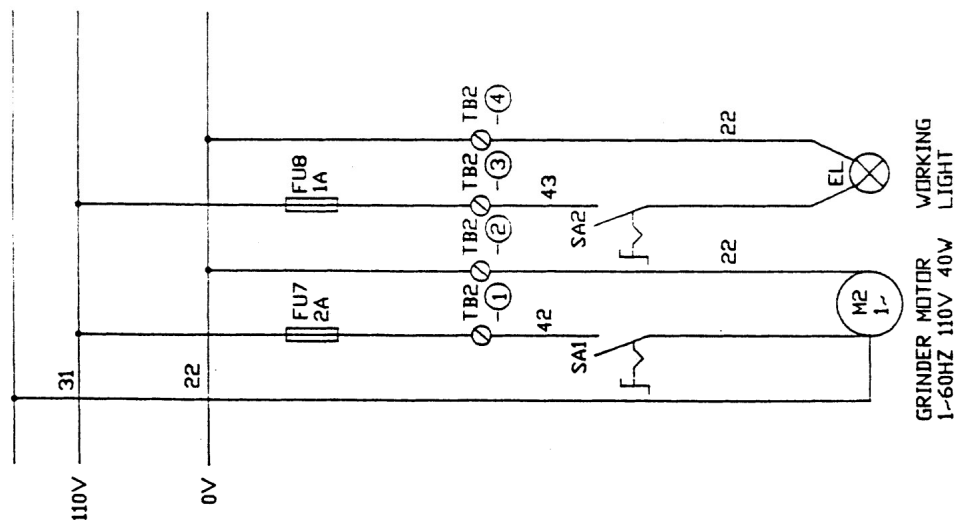
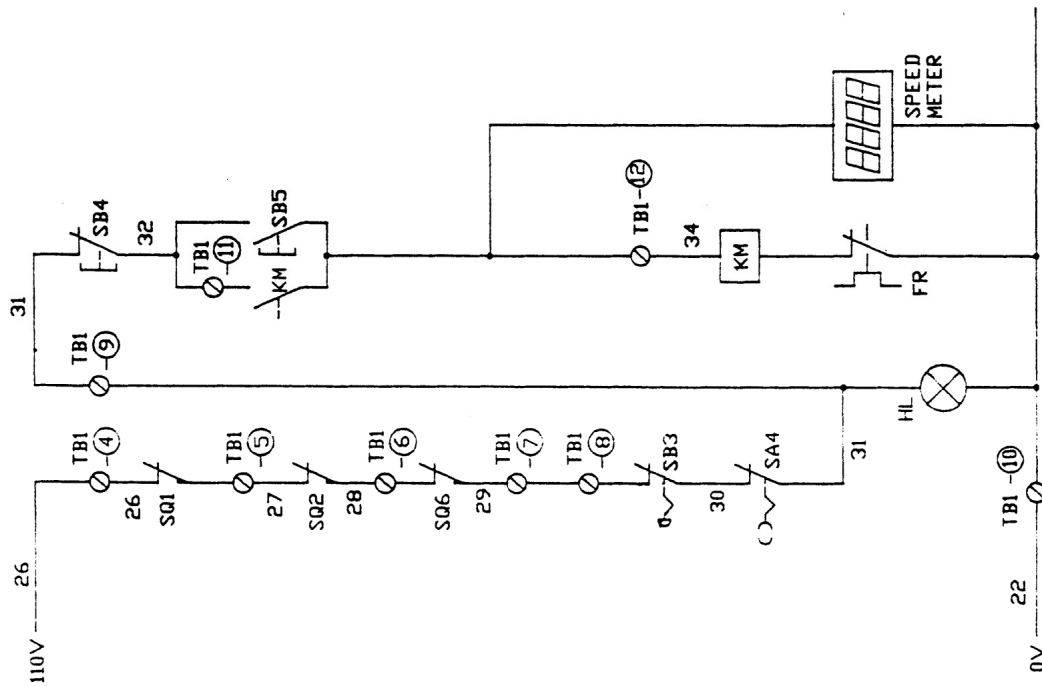
Index No.	Part No.	Description	Size	Qty
1	JWG34-601	Limit Switch		1
2	PR-EV-6011	Insulator		1
3	VBS3612-203	Pan Head Bolt	1/8"-32 x 5/8"	2
4	TS-0720051	Lock Washer	1/8"	2
5	PR-EV-6020	Guide Block		1
6	TS-1502061	Socket Head Cap Screw	M5 x 25	2
7	TS-1551031	Lock Washer	M5	2
8	PR-EV-6021	Spring Bracket		1
9	TS-1533032	Phillips Pan Head Machine Screw	M5 x 8	2
10	PR-EV-6030	Guide Casting		1
11	TS-1534041	Flat Head Screw	M5 x 10	4
12	PR-EV-6040	Housing		1
13	TS-1533052	Phillips Pan Head Machine Screw	M5 x 16	6
14	PR-EV-6050	Stationary Jaw		1
15	TS-1502051	Socket Head Cap Screw	M5 x 20	3
16	PR-EV-6051	Insulator		1
17	PR-EV-6052	Insulating Tubes		3
18	PR-EV-6053	Washer, Insulate		3
19	PR-EV-6054	Spacers		3
20	PR-EV-6060	Eccentric Shafts		2
21	PR-EV-6070	Clamp Lever, Right		1
22	TS-1335052	Round Head Screw	5/16"-18 x 3/4"	2
23	TS-0561021	Hex Nut	5/16"-18	2
24	PR-EV-6071	Clamp Lever, Left		1
25	PR-EV-6100	Clamp Support, Right		1
26	PR-EV-6101	Clamp Support, Left		1
27	PR-EV-6110	Clamp Plate, Right		1
28	TS-1533032	Phillips Pan Head Machine Screw	M5 x 8	4
29	TS-1551031	Lock Washer	M5	2
30	PR-EV-6111	Clamp Plate, Left		1
31	PR-EV-6120	Retaining Ring (Re7)		2
32	PR-EV-6130	Moving Jaw		1
33	TS-1502031	Socket Head Cap Screw	M5 x 12	2
34	JWG34-615	Weld Button		1
36	PR-EV-6170	Pressure Adjust Knob		1
37	PR-EV-6180	Shaft		1
38	TS-0720071	Lock Washer	1/4"	5
39	TS-0680021	Flat Washer	1/4"	5
40	TS-0561011	Hex Nut	1/4"-20	3
41	PR-EV-6200	Cam		1
42	PR-EV-6210	Weld Tension Arm		1
43	TS-081F052	Phillips Pan Head Machine Screw	1/4"-20 x 5/8"	1
44	PR-EV-6211	Bushing		1
45	PR-EV-6220	Spring, Short		1
46	PR-EV-6230	Spring, Long		1
47	VBS3612-247	Pan Head Screw	M5 x 25	1
48	TS-1540031	Hex Nut	M5	1
49	VBS1220M-624	Transformer		1
50	VBS3612-250	Copper Pan Head Screw	10-24 x 3/8"	2
51	TS-1551031	Lock Washer	3/16"	2
52	PR-HV-6241	Mounting Bracket		1
53	TS-1534041	Flat Head Screw	M5 x 12	10
54	TS-0050171	Hex Cap Screw	1/4"-20 x 4"	2
55	PR-EV-6250	Switch		1
56	PR-EV-6260	Grinder Motor		1
57	PR-EV-6270	Spacer	M6	1

Index No.	Part No.	Description	Size	Qty
58	PR-EV-6280	Grinder Wheel		1
59	TS-0680021	Flat Washer	M6	1
60	TS-1540041	Hex Nut	M6	1
61	VBS1220M-629	Grinder Guard		1
62	PR-EV-6291	Grinder Cover		1
63	JWG34-633	Welder Name Plate		1
65	PR-EV-6340	Instruction Label		1
66	PR-EV-6420	Grinder Label		1
67	PR-HV-6420	Anneal Button		1
68	VBS3612-268	Deflector Bracket, Right		1
69	VBS3612-269	Pan Head Screw	M4 x 8	4
70	VBS3612-270	Wood Screw	1/8 X 1/4"	2
71	VBS3612-271	Deflector Bracket, Left		1
72	VBS3612-272	Spark Deflector		1
73	PR-EV-9290	Knobs		2
74	VBS2012-6810	Light Shield		1
75	VBS2012-6820	Shield Jointer		1
76	VBS2012-6830	Brass Nut		2
77	VBS2012-6840	Lamp Arm		1
78	VBS2012-6860	Arm Tubes		2
79	VBS2012-6870	Tube Holder		1
80	VBS2012-6880	Arm Nuts		3
81	VBS2012-6890	Tube Locks		2
82	VBS2012-6900	Arm Housing Adjust		1
83	VBS2012-6910	Housing Adjust Screw		1
84	VBS2012-6920	Lamp Arm Housing		1
85	VBS2012-6930	Holder, Upper	6920	1
86	TS-1502081	Socket Head Bolt	5 X 35mm	2
87	VBS3612-287	Holder, Lower	6290	1
88	VBS2012-6950	Lamp Socket		1
89	VBS3612-289	Washer		2
90	VBS3612-290	Nut		1
91	TS-1550071	Flat Washer	10mm	1
92	VBS3612-292	Rotating Button		1
93	VBS2012-9040	Brass Handwheel		1
94	PR-EV-1910	Spindle Bushings		3
95	TS-0207031	Socket Head Bolt	1/4 X 5/8"	1
96	TS-0207081	Socket Head Bolt	1/4 X 1 1/2"	1
97	PR-EV-1920	Spindle Lift		1
98	VBS3612-298	Retaining Ring	5mm	2
99	PR-EV-1930	Blade Shaft		1
100	VBS3612-2100	Retaining Ring	25mm	2
101	PR-EV-1940	Vaned Iron Plates		2
102	VBS3612-2102	Pan Head Bolt	3/16 X 3/8"	4
103	PR-EV-1950	Lower Blades		2
104	PR-EV-1960	Upper Blade		1
105	PR-EV-1970	Joint Plate, Left		1
106	TS-0208031	Socket Head Bolt	5/16 X 5/8"	2
107	TS-0720081	Lock Washer	5/16"	2
108	PR-EV-1980	Chain Joint, Right		1
109	PR-EV-1990	Handle Bar		1
110	PR-EV-9210	Knob		1

Welder, Shear and Work Lamp Assemblies



Electrical Connections – 3Ph, 230/460V



SB1	Weld On (White)	SA4	Key Switch	SQ6	Safety Switch
SB2	Anneal On (Green)	HL	Indicator Light (Green)	KM	Contactor
SB3	Emergency Stop (Red)	EL	Lamp (60W, 115V)	FR	Overload Relay
SB4	Main Motor Off (Red)	QS	General Switch	T2	Transformer
SB5	Main Motor On (Green)	SQ1	Safety Switch		
SA1	Grinder Motor On	SQ2	Safety Switch		
SA2	Work Lamp On (Black)	SQ5	Weld Auto Stop		

Electrical Box

(see page 41 for identification of parts)

