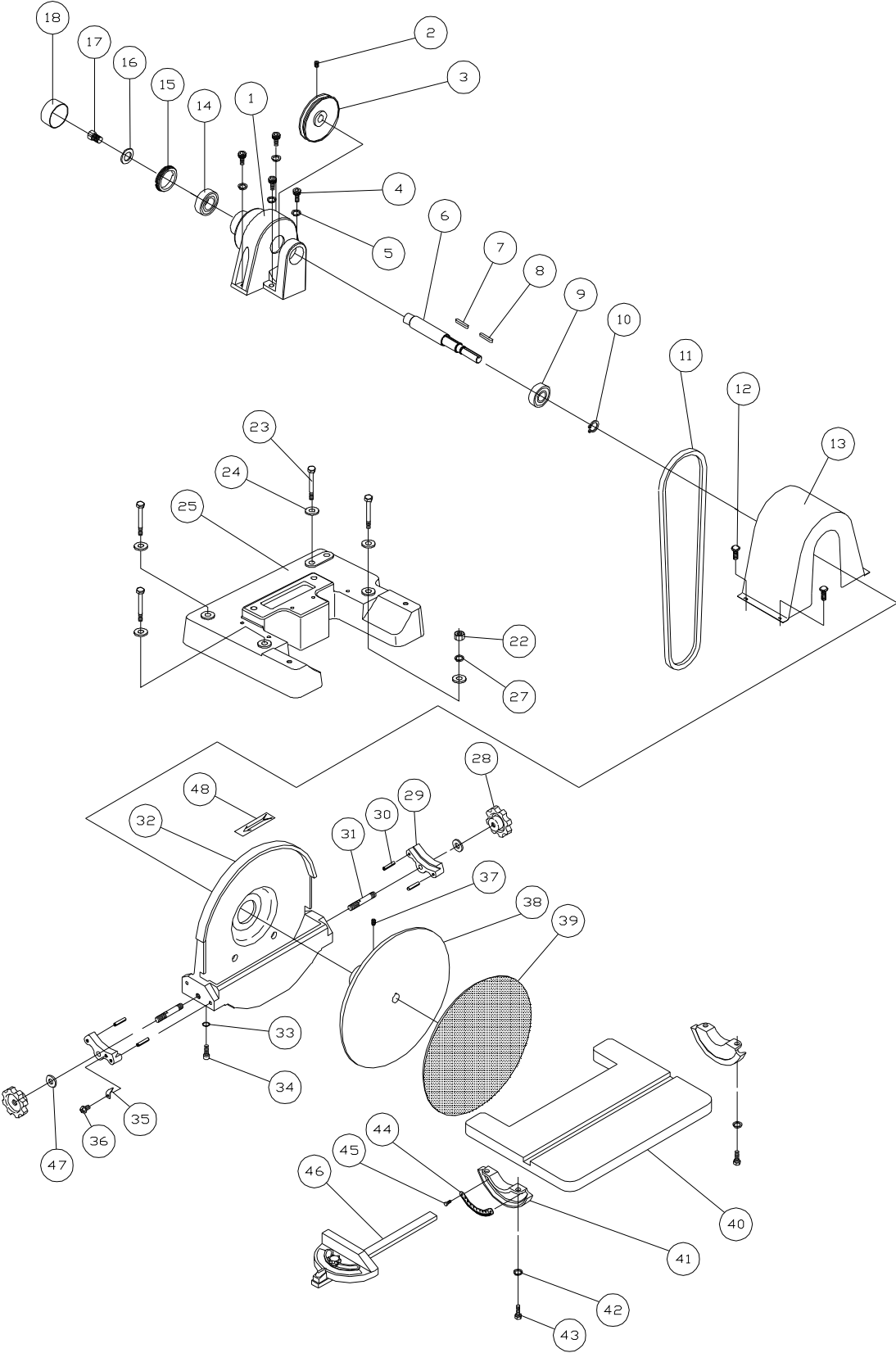


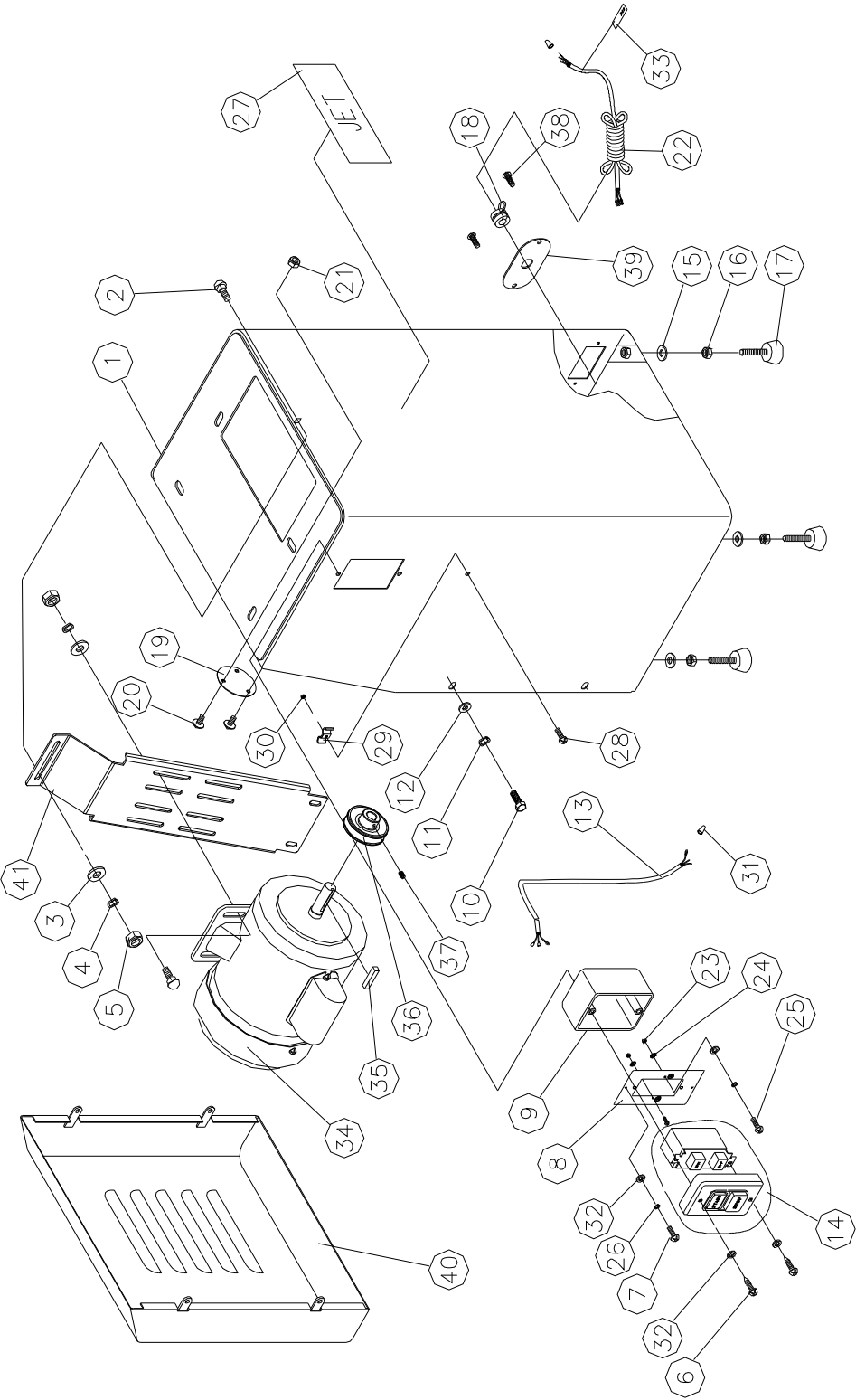
11.3.1 Model J-4400A Disc Sander Assembly – Exploded View



11.3.2 Model J-4400A Disc Sander Assembly – Parts List

Index No	Part No	Description	Size	Qty
1	J-5508438	Bearing Housing		1
2	TS-1523011	Socket Set Screw	M6x6	2
3	5511725	4200 Arbor Pulley		1
4	TS-1504061	SHCS	M8x30	4
5	TS-2361081	Lock Washer	M8	4
6	5508443	Drive Shaft		1
7	5051451	Key	5x5x35 mm	1
8	4200A-042	Key	5x5x55 mm	1
9	BB-6204ZZ	Ball Bearing	6204ZZ	1
10	5051471	Retaining Ring	S20	1
11	VB-A59	V-Belt	17610	1
12	5511818	Flat Head Screw	M5x6	4
13	J-5508444	Belt Guard Assembly		1
14	BB-6205ZZ	Ball Bearing	6205ZZ	1
15	5508439	Preload Bushing	M54	1
16	TS-1550061	Flat Washer	M8	1
17	TS-1490031	Hex Cap Screw	M8x20	1
18	4400A-018	Glue Bushing		1
22	TS-1540071	Hex Nut, Full	M10	4
23	TS-2210801	Hex Cap Screw	M10x80	4
24	TS-1550071	Flat Washer	M10	8
25	J-5508447	Base		1
27	TS-2361101	Lock Washer	M10	4
28	5508450	Hand Knob		2
29	5508451	Clamp with Pins		2
30	4200A-090	Roll Pin	Ø6x45	4
31	5508462	Stud		2
32	J-5508453	Disc Guard		1
33	TS-2361101	Lock Washer	M10	2
34	TS-2239551	Socket Head Cap Screw	M10x55	2
35	5051741	Pointer		1
36	TS-1523021	Socket Head Flat Screw	M6x8	1
37	TS-1523031	Socket Set Screw	M6x10	2
38	5051641	Disc Aluminum		1
39	5051631	Garnet Disc		1
40	J-5508449	Table		1
41	5051681	Trunnion		2
42	TS-2361081	Lock Washer	M8	4
43	TS-1490041	Hex Cap Screw	M8x25	4
44	5051701	Tilting Table Scale		1
45	5511824	Drive Screw	Ø2x5	2
46	5052271	Deluxe Miter Gauge		1
47	TS-1550071	Flat Washer	M10	2
48	4200A-105	Label, Direction		1

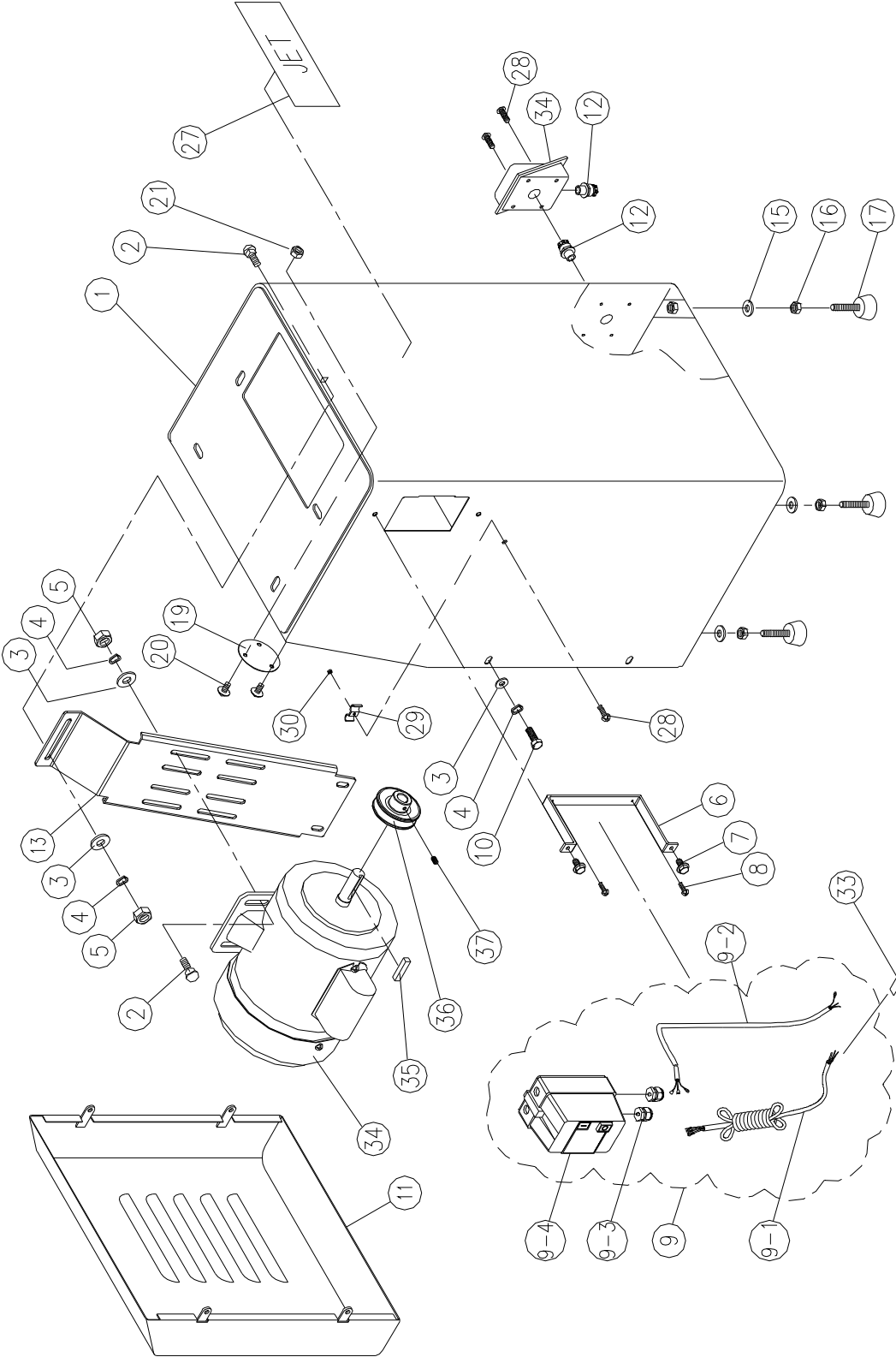
11.4.1 Base Assembly: All 1 Phase Models – Exploded View



11.4.2 Base Assembly: All 1 Phase Models – Parts List

Index No	Part No	Description	Size	Qty
1	J-5511743	Enclosure		1
2	TS-1490031	Hex Cap Screw	M8x20	7
3	TS-1550061	Flat Washer	M8	7
4	TS-2361081	Lock Washer	M8	7
5	TS-1540061	Hex Nut	M8	7
6	5511753	Tapping Bolt w/Washer		2
7	TS-2284082	Pan Head Screw	M4x8	2
8	4200A-B335	Switch Cover		1
9	5514703	Switch Box		1
10	TS-1490011	Hex Cap Screw	M8x12	4
11	TS-2361081	Lock Washer	M8	4
12	TS-1550061	Flat Washer	M8	4
13	4200A-B336	Motor Cord	1PH	1
14	9139391	Switch		1
15	TS-2360121	Flat Washer	M12	4
16	TS-1540081	Hex Nut	M12	4
17	5511745	Adjustable Mount		4
18	4200A-418	Strain Relief Bushing	6N3-4	1
19	4200A-B320	Cover		1
20	4200A-B321	Pan Head Bolt w/Flange		3
21	TS-1540041	Hex Nut	M6	3
22	9133081	Power Cord	1PH	1
23	TS-1540031	Hex Nut	M5	2
24	TS-0733203	Lock Washer, Ext	M5	2
25	4200A-B325	Pan Head Screw	M5X8	2
26	TS-2361041	Lock Washer	M4	4
27	JETLOGO-1	JET Logo	2-3/4"x8"	1
28	TS-1533052	Pan Head Screw	M5x16	1
29	4200A-B330	Cord Clamp		1
30	TS-1540031	Hex Nut	M5	1
31	4200A-B332	Wiring Nut		2
32	TS-1550021	Flat Washer	M4	6
33	4200A-B334	Label, Voltage		1
34	J-5514650	Motor	1-1/2HP 115/230V 1Ph	1
35	5512937	Key	5x5x35 mm	1
36	4200A-436	Motor Pulley		1
37	TS-1523011	Socket Set Screw	M6x6	1
38	TS-1533042	Pan Head Screw	M5X12	2
39	4200A-439	Strain Relief Plate		1
40	J-5511729	Large Cover		1
41	J-5052431	Motor Mounting Plate		1
	9145531	Machine Safety Label (not shown)		1

11.5.1 Base Assembly: All 3 Phase Models – Exploded View



11.5.2 Base Assembly: All 3 Phase Models – Parts List

Index No	Part No	Description	Size	Qty
1	4202A-501	Enclosure		1
2	TS-1490031	Hex Cap Screw	M8x20	7
3	TS-1550061	Flat Washer	M8	11
4	TS-2361081	Lock Washer	M8	11
5	TS-1540061	Hex Nut	M8	7
6	4202A-506	Switch Seat		1
7	4202A-507	Pan Head Screw w/Flange	M8x12	2
8	TS-1532042	Pan Head Screw	M4x12	2
9	4202A-509	Magnetic Switch Assembly	1.5HP	1
9-1	4202A-5091	Power Cord	3Ph	1
9-2	4202A-5092	Motor Cord	3Ph	1
9-3	4202A-5093	Strain Relief	PG13.5	2
9-4	4202A-5094	Magnetic Switch	1.5HP/230V/3PH	1
9-4	4202A-5095	Magnetic Switch	1.5HP/460V/3PH	1
10	TS-1490011	HHCS	M8x12	4
11	J-5511729	Large Cover		1
12	4200A-5093	Strain Relief	PG13.5	2
13	J-5052431	Motor Mounting Plate		1
15	TS-2360121	Flat Washer	M12	4
16	TS-1540081	Hex Nut	M12	4
17	5511745	Adjustable Mount		4
19	4200A-B320	Cover		1
20	4200A-B321	Pan Head Bolt w/Flange		3
21	TS-1540041	Hex Nut	M6	3
27	JETLOGO-1	JET Logo	2-3/4"x8"	1
28	TS-1533052	Pan Head Screw	M5x16	3
29	4200A-B330	Cord Clamp		1
30	TS-1540031	Hex Nut	M5	1
33	4200A-B334	Label, Voltage		1
34	J-5514651	Motor	1-1/2HP 230/460V 3Ph	1
35	5512937	Key	5x5x35 mm	1
36	4200A-436	Motor Pulley		1
37	TS-1523011	Set Screw	M6x6	1
	9145531	Machine Safety Label (not shown)		1