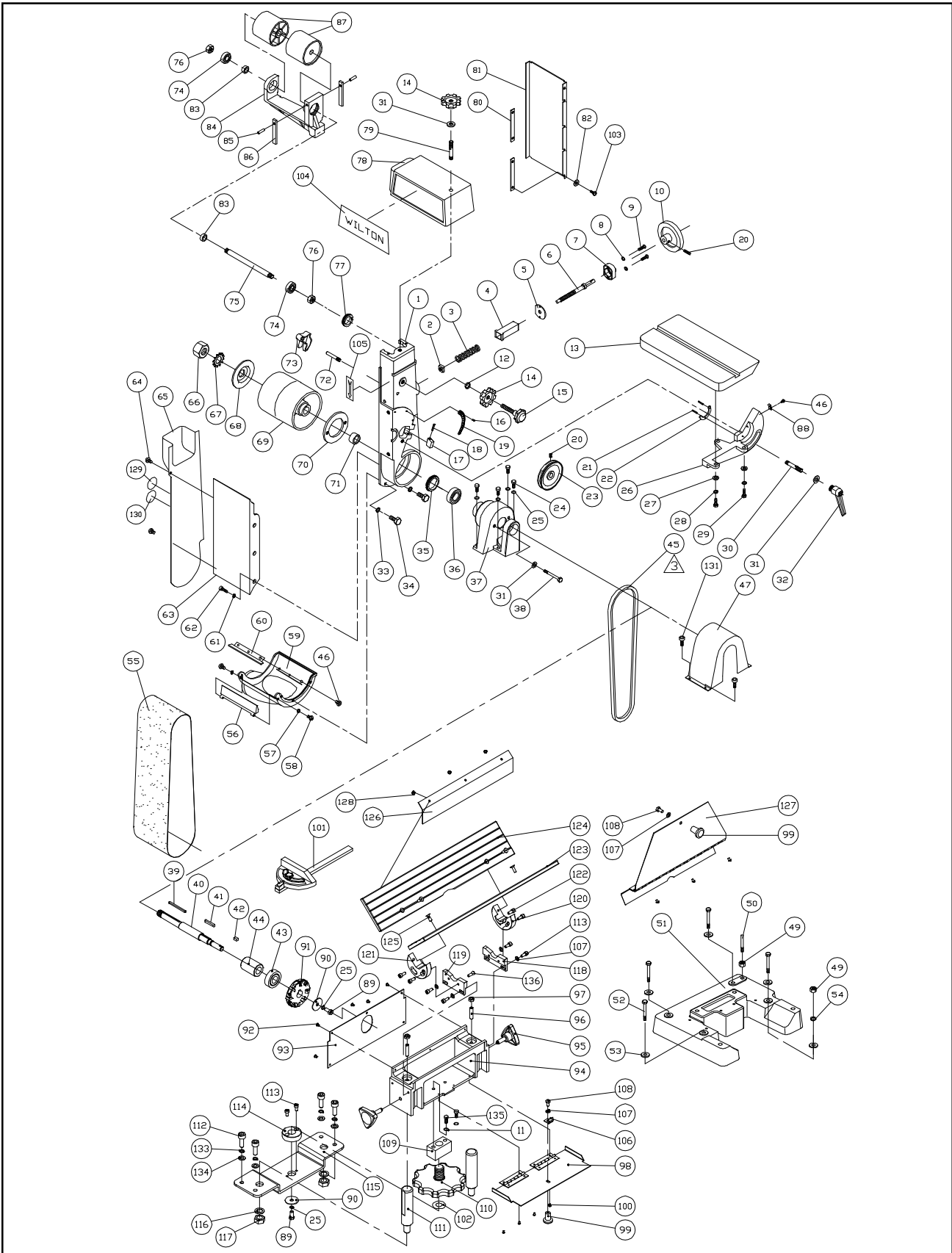


# Exploded View – Belt Grinder and Edge Milling Machine (Models 4500, 4501)



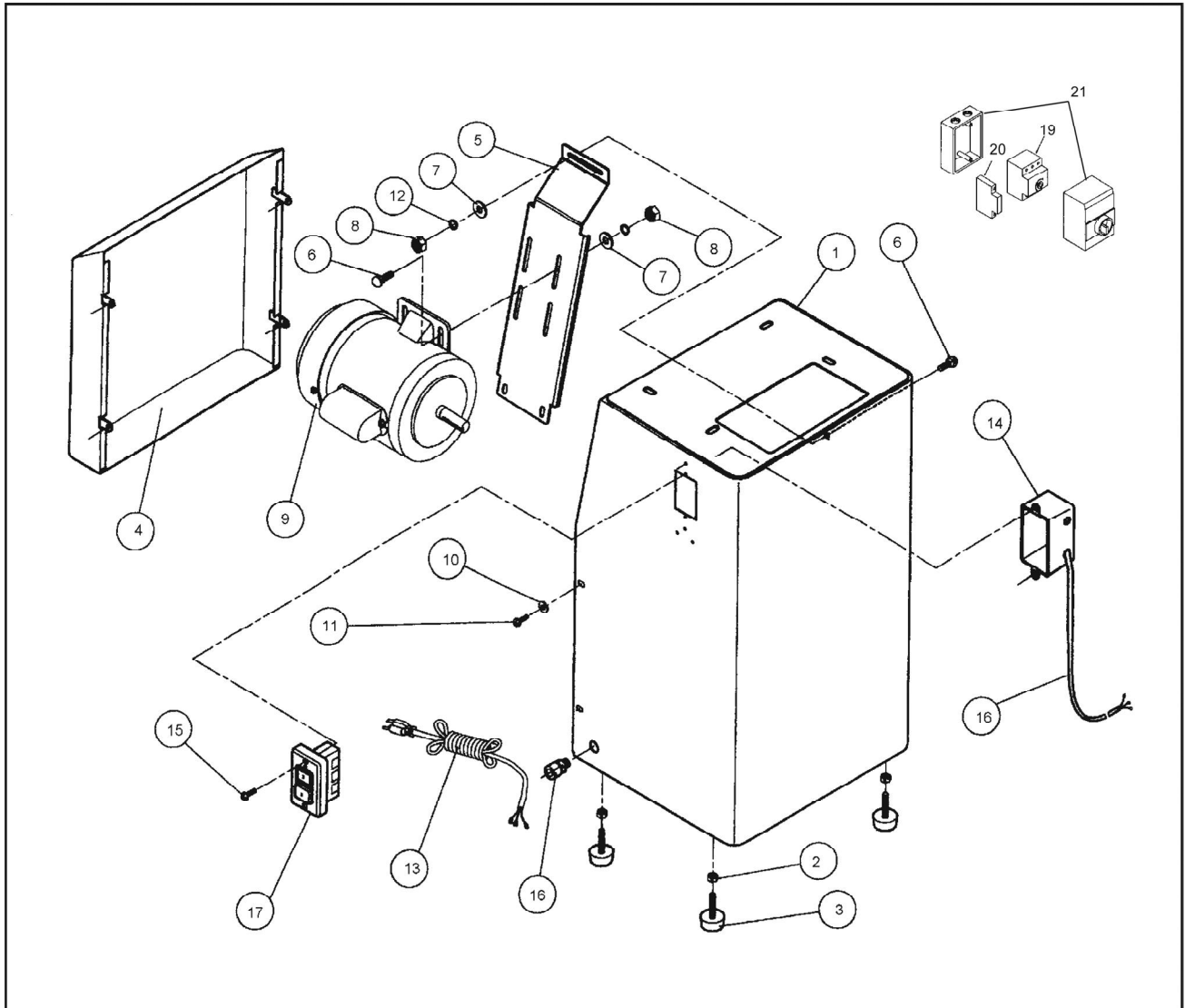
## Parts List – Belt Grinder and Edge Milling Machine (Models 4500, 4501)

Ref No.	Part Number	Description	Qty	Ref. No.	Part Number	Description	Qty.
1	J-5508427	Bracket	1	46	5511817	Screw, Pan Hd, (W/Flange) M5X8	4
2	5511833	Square Nut (M10)	1	47	J-5508444	Guard, Pulley (Assembly)	1
3	5051081	Spring	1	---	5512406	Guard, Side	1
4	5051091	Sleeve	1	---	5512407	Guard, Center	1
5	5051131	Collar	1	48	5051561	Pulley, Motor	1
6	5508431	Shaft (with Collar)	1	49	5511831	Nut , Hex, M10	5
7	J-5051151	Cap	1	50	5508446	Pin, Stop	1
8	9058051	Washer, Spring	2	51	J-5512411	Base	1
9	5511819	Screw, Pan Head, M5X25	2	52	5512412	Bolt, Hex, M10X80	4
10	5051721	Wheel, Hand	1	53	5507613	Washer, Flat, M10	12
12	5051911	Washer, M10 Flat	2	54	5507687	Washer, Spring, M10	8
13	J-5508432	Table, Tilting	1	55	5051841	Belt, Sanding	1
14	5508450	Hand, Knob	2	56	J-5508455	Guard, Deflector Plate	1
15	5508429	Knob, Adjusting	1	57	9058051	Washer, Spring	2
16	5511824	Screw, Drive	3	58	5511836	Screw, Pan Head, M5X12	2
17	5508437	Block, Stop	1	59	J-5508454	Guard, Drive Drum	1
18	5511828	Pin, Groove, 5X45	1	60	5508456	Guard, Dust Deflector	1
19	5051351	Scale, Tilt	1	61	9058011	Washer, Spring	3
20	5511822	Screw, Set, M6X6	3	62	5640811	Bolt, Hex, M8X20	3
21	5511827	Pin, Groove	2	63	J-5508457	Platen	1
22	5051331	Segment	1	64	5511818	Screw, Pan Head, M6X16	1
23	5511725	Pulley, Arbor	1	65	J-5051601A	Guard, Side	1
24	5511829	Screw, Cap, M8X25	6	66	5511838	Nut, Hex	1
25	9058011	Washer, Spring	6	67	9058121	Washer, External Tooth	1
26	J-5508433	Trunnion	1	68	5051981	Washer/Spacer	1
27	9057391	Washer, Flat	3	69	5051971A	Drum, Drive	1
28	9058011	Washer, Spring	3	70	5508458	Ring, Clamp	1
29	5511830	Bolt, Hex, M8X25	3	71	5511728	Spacer, Drive Drum	1
30	5508435	Stud, M10	1	72	5051031	Pin, Lever	1
31	5051911	Washer, Flat, M10	4	73	5051021	Block, Tension	1
32	5508436	Knob, Lock	1	74	5630821	Bearing (6202 ZZ)	2
33	9058021	Washer, Spring	3	75	5508461	Shaft, Idler Drum	1
34	5511821	Bolt, Hex, M6X16	3	76	5511840	Nut, Nylon, M12	2
35	5508439	Nut, Lock	1	77	5508460	Nut, Bearing lock	1
36	9100321	Bearing (6205 ZZ)	1	78	J-5051591A	Guard, Idler Drum	1
37	J-5508438	Housing, Bearing	1	79	5508462	Stud	1
38	5508440	Bolt, Hex, M10X130	2	80	5508463	Bar, Clamp	2
39	5051421	Key, Square, 5X5X70	1	81	J-5052121	Guard, Bottom	1
40	5512398	Shaft, Drive	1	82	9058021	Washer, Spring	4
41	5512399	Key, Square, 5X5X35	1	83	5052061B	Spacer, Idler Drum	2
42	5512400	Key, Square, 6X6X12	1				
43	5512401	Bearing (6204 ZZ)	1				
44	5512402	Sleeve	1				
45	5512403	V-Belt, A-60	1				

## Parts List – Belt Grinder and Edge Milling Machine (Models 4500, 4501)

Ref No.	Part Number	Description	Qty	Ref. No.	Part Number	Description	Qty.
84	J-5508459	Bracket, Idler Pin	1	112	5512514	Bolt, Hex Head (M10X30)	4
85	5511839	Pin	2	113	5512515	Bolt, Hex Head (M6X12)	6
86	5052001	Block (12X8)	2	114	5512516	Support, Fixed	1
87	5052061A	Drum, Idler (Set)	1	115	5512517	Plate, Concave	1
88	5508434	Pointer	1	116	5512518	Washer, Spring (M16)	2
89	5512447	Bolt, Hex Head (M8X20)	2	117	5512519	Nut (M16)	2
90	5512448	Washer, Flat (M8XØ30)	2	118	5512520	Support, Fixed (Right)	1
91	5512449	Wheel, Cutter(Assembly)	1	119	5512521	Support, Fixed (Left)	1
---	5512450	Blade, Cutter	8	120	5512522	Support, Adjustable (Right)	1
---	5512451	Screw, Set	8				
92	5512452	Bolt, Pan Head (with flange) (M4X6)	5	121	5512523	Support, Adjustable (Left)	1
93	J-5512453	Cover, Back	1	122	5512524	Bolt, Hex Head (M6X16)	4
94	5512454	Seat, Fixed	1	123	5512525	Plate, Guide (Right)	1
95	5512455	Screw, Knob (M10)	2	124	5512526	Plate, Guide (Left)	1
96	5512456	Screw, Set (M8X25)	2	125	5512527	Bolt, Flat Head (M6X12)	4
97	5512457	Nut (M8)	2	126	J-5512528	Cover, Back	1
98	J-5512458	Cover (Assembly)	1	127	J-5512529	Cover (Assembly)	1
---	J-5512459	Cover	1	---	J-5512530	Cover	1
---	5512500	Hinge	2	---	J-5512531	Cover, Front	1
99	5512501	Knob (M6)	2	---	J-5512532	Hinge	1
100	5512502	Bolt, Pan Head (M3X6)	4	128	5512533	Bolt, Pan Head (with Flange) (M4X6)	6
101	5512503	Gauge, Miter (Set)	1				
102	5512504	Washer, Spring (M3)	4	129	5512534	Label, Warning	1
103	5512505	Bolt, Hex Head (M6X16)	4	130	5512535	Label, Warning	1
104	5512506	Label, Name	1	131	5511818	PH screw, M6X16	4
105	5512507	Label	1	132	J-9066291	Motor (1.5 HP, 115/230V, Single Phase)	1
106	5512508	Spring, Latch	1				
107	5512509	Washer, Flat	6		J-9066301	Motor (1.5 HP, 230/440V, 3- Phase)	1
108	5512510	Bolt, Hex Head (M6X20)	2				
109	5512511	Support, Adjustment Wheel	1	133	5512538	Key	1
110	5512512	Wheel, Adjustment	1				
111	5512513	Post, Adjustment Guide	2				

# Exploded View – Base Assembly (All Models)



## Parts List – Base Assembly (All Models)

Ref No.	Part Number	Description	Qty
1	J-5511743	Enclosure	1
2	5511744	Nut, Hex	4
3	5511745	Mount, Adjustable	4
4	J-5511729	Cover, Large	1
5	J-5052431	Mounting Plate, Motor	1
6	5511746	Screw, Cap, Hex Head	6
7	5511747	Washer	14
8	5511748	Nut, Hex	17
9	J-9066291	Motor (1.5 HP, 115/230V, Single Phase)	1
	J-9066301	Motor (1.5 HP, 230/440V, 3- Phase)	1
10	5511750	Washer	4
11	5511751	Screw	4
12	5511752	Washer, Lock	4
13	9133081	Cord, Power	1
14	9139901	Box, Switch	1
15	5511753	Screw, RH	2
16	5511754	Bushing	1
17	5511755	Cord, Motor	1
18	9139891	Switch	1
19	5510376	Starter, Motor, Manual (220V, 6-10 AMPS)	1
	9150081	Starter, Motor, Manual (440V, 4-6 AMPS)	1
20	5007320	Module, Under Voltage Trip (220VAC, 60 Hz)	1
	5507334	Module, Under Voltage Trip (440VAC, 60 Hz)	1
21	5510037	Box, Switch	1