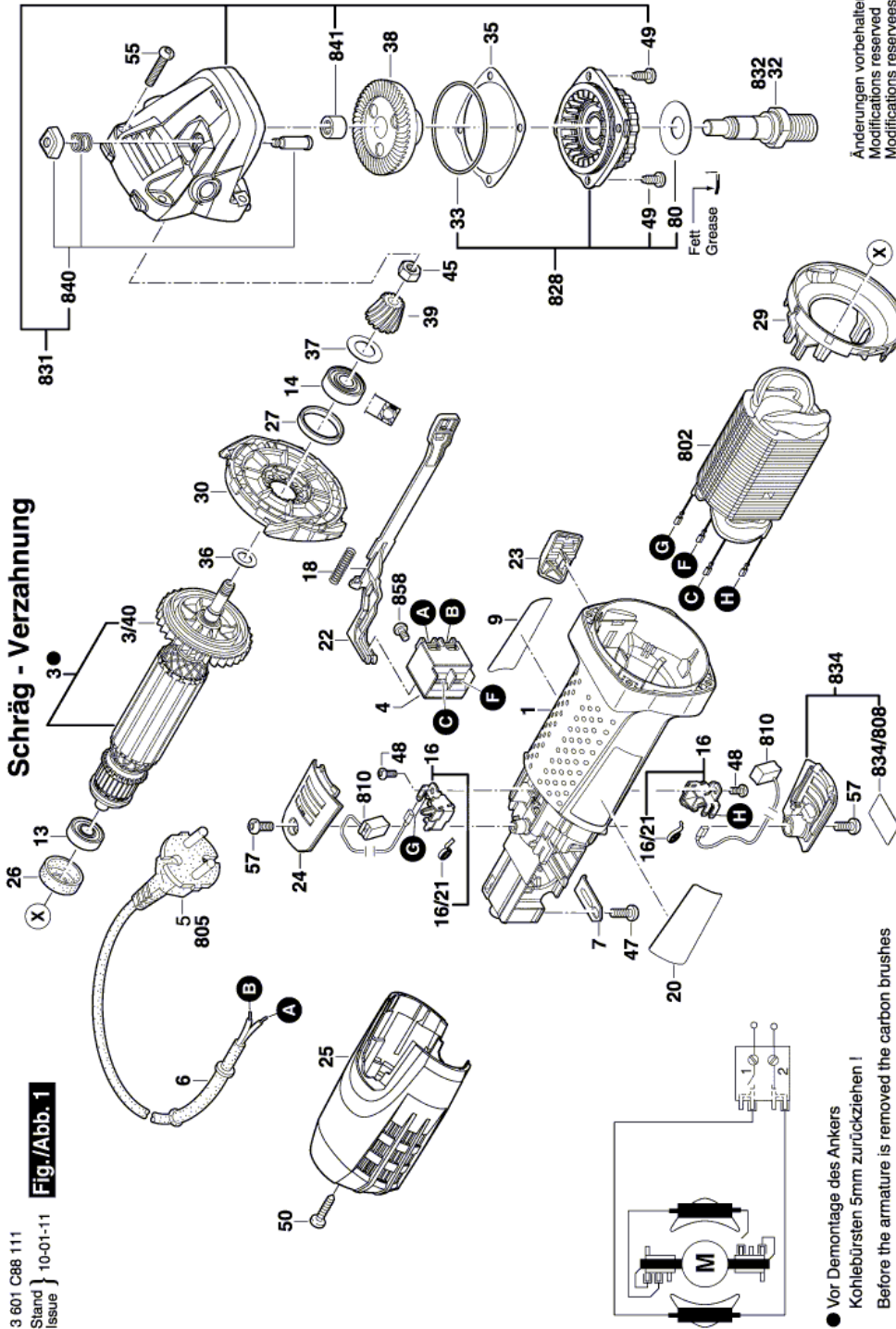


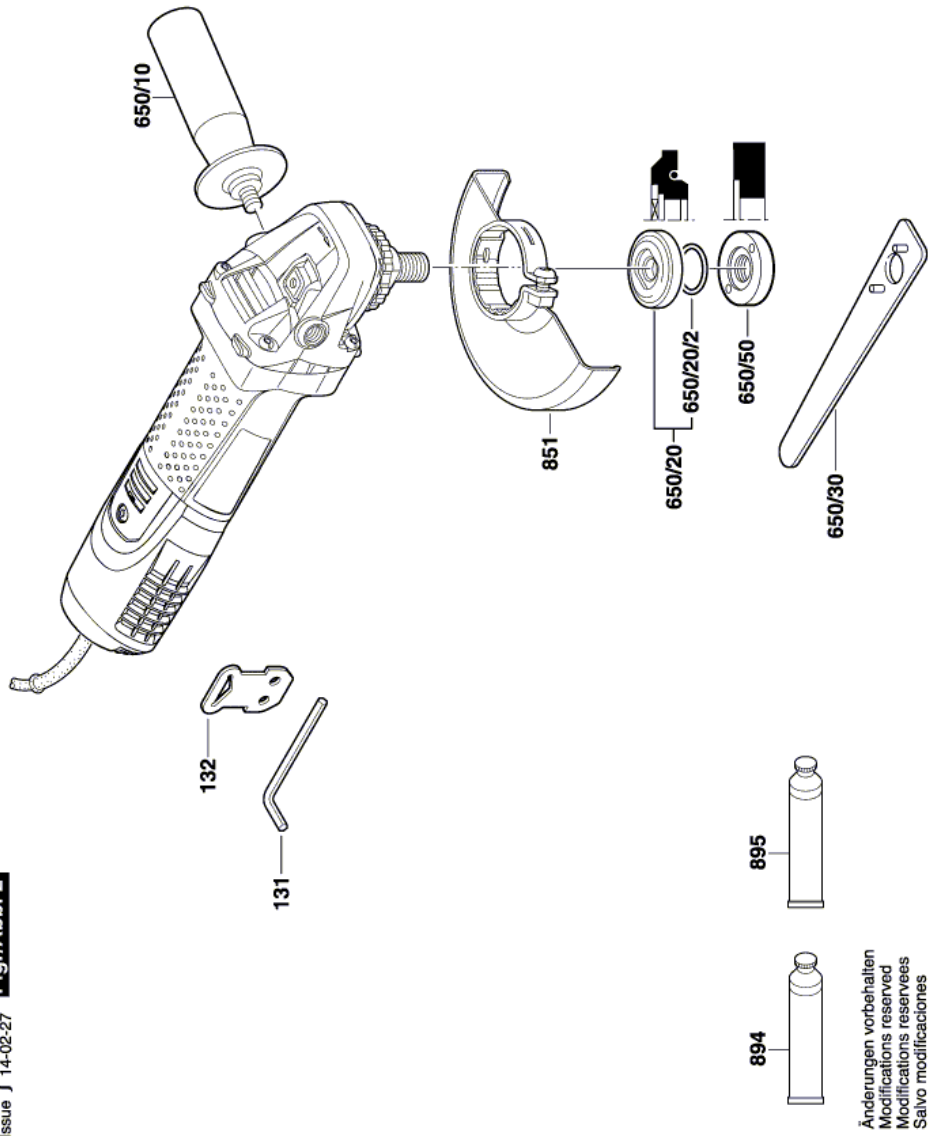
Item	Part Number	Description	Illustration	Price	Quantity	Price Group
	1 1 619 P10 070	Motor Housing		1	-,-	1 21
	3 1 619 P05 230	Armature 110-120V		1	-,-	1 31
3/40	1 619 P02 801	Fan		1	-,-	1 12
	4 1 607 200 146	Switch		1	-,-	1 22
	5 2 604 460 122	Power supply cord USA/CDN 2,15m 2 x 0,82mm SJ 18/2		1	-,-	1 28
	6 2 600 703 013	Grommet Ø7,6-Ø8,2x95 MM		1	-,-	1 13
	7 1 601 302 017	Fastening Clamp		1	-,-	1 10
	9 1 619 P02 982	Manufacturer's nameplate		1	-,-	1 13
	13 1 619 P00 456	Ball Bearing 7x19x6 MM		1	-,-	1 14
	14 1 619 P00 455	Ball Bearing		1	-,-	1 15
	16 1 619 P02 845	Brush Holder		1	-,-	2 14
16/21	1 619 P02 809	Spiral Spring		1	-,-	2 10
	18 1 604 611 031	Compression Spring		1	-,-	1 13
	20 1 619 P02 994	Warning Plate		1	-,-	1 13
	22 1 619 P02 811	Adjusting Slide		1	-,-	1 11
	23 1 619 P09 290	Switch Button		1	-,-	1 10
	24 1 619 P02 828	Brush-Cover		1	-,-	1 11
	25 1 619 P02 844	Housing Cover		1	-,-	1 16
	26 1 600 502 023	Intermediate Ring		1	-,-	1 12
	27 1 600 206 025	Rubber Ring		1	-,-	1 12
	29 1 619 P02 818	Air-Deflector Ring		1	-,-	1 11
	30 1 619 P02 819	Air Distributor		1	-,-	1 11
	33 1 619 P02 820	O-Ring 44,0x1,0 MM		1	-,-	1 10
	35 1 619 P02 821	Shim 0,1 MM		1	-,-	1 10
	35 1 619 P02 822	Shim 0,2 MM		1	-,-	1 10
	36 1 619 P00 987	Washer		1	-,-	1 10
	37 1 600 100 033	Cover Disc		1	-,-	1 13
	38 1 619 P02 823	Crown Gear		1	-,-	1 22
	39 1 619 P02 825	Bevel Gear		1	-,-	1 17
	45 2 915 011 007	Hex Nut DIN 934-M6-8-A		1	-,-	1 10
	47 2 609 110 052	Special Screw		1	-,-	1 11
	48 1 619 P02 849	Torx Oval-Head Screw 3x8		1	-,-	2 10

Item	Part Number	Description	Illustration	Price	Quantity	Price Group
49	1 603 435 068	Thread-forming tap. Screw DIN 7500, M4x10, SR10.2	1	-,-	4	11
50	1 619 P00 105	Torx Oval-Head Screw 4x20	1	-,-	1	10
55	1 619 P01 066	Torx Oval-Head Screw 4x25	1	-,-	4	10
57	1 619 P02 848	Torx Oval-Head Screw 4x12	1	-,-	2	10
80	3 600 150 021	Sealing disk	1	-,-	1	13
131	1 619 P01 598	Hex Screw Driver 4x95	2	-,-	1	13
132	1 619 P06 843	Key Holder	2	-,-	1	10
650/10	1 602 025 027	Auxiliary Handle M10	2	-,-	1	19
650/20	1 605 703 140	Clamping-Flange	2	-,-	1	21
650/20/2	1 600 210 253	O-Ring	2	-,-	1	10
650/30	1 607 950 060	Pin-Type Face-Wrench	2	-,-	1	15
650/50	3 603 340 503	Round Nut 5/8"	2	-,-	1	28
802	1 619 P07 273	Field 115-127V	1	-,-	1	28
810	1 619 P02 892	Carbon-Brush Set	1	-,-	1	21
823	1 619 P10 838	Switch Button	N/A	-,-	1	11
828	1 619 P07 452	Bearing Flange	1	-,-	1	22
831	1 619 P02 872	Gear Housing	1	-,-	1	27
832	1 603 523 122	Grinding Spindle 5/8"	1	-,-	1	33
834	1 619 P07 956	Brush-Cover	1	-,-	1	11
834/808	1 619 P02 989	Nameplate	1	-,-	1	13
840	1 619 P02 873	Push-Button	1	-,-	1	12
841	1 600 910 018	Needle bearing Ø8xØ12x8 MM	1	-,-	1	16
851	1 619 P07 516	Protective Guard Ø 115 MM	2	-,-	1	23
858	2 910 641 081	Oval-Head Screw DIN7985-M3,5x5-4.8-H	1	-,-	2	10
894	1 615 430 020	Grease Tube 225 ML	2	-,-	1	29
895	1 605 430 003	Grease Tube 225 ML	2	-,-	1	34



3 601 C88 111
Stand } 12-81
Issue } 14-02-27

Fig./Abb. 2



Änderungen vorbehalten
Modifications reserved
Modificaciones reservadas
Salvo modificaciones