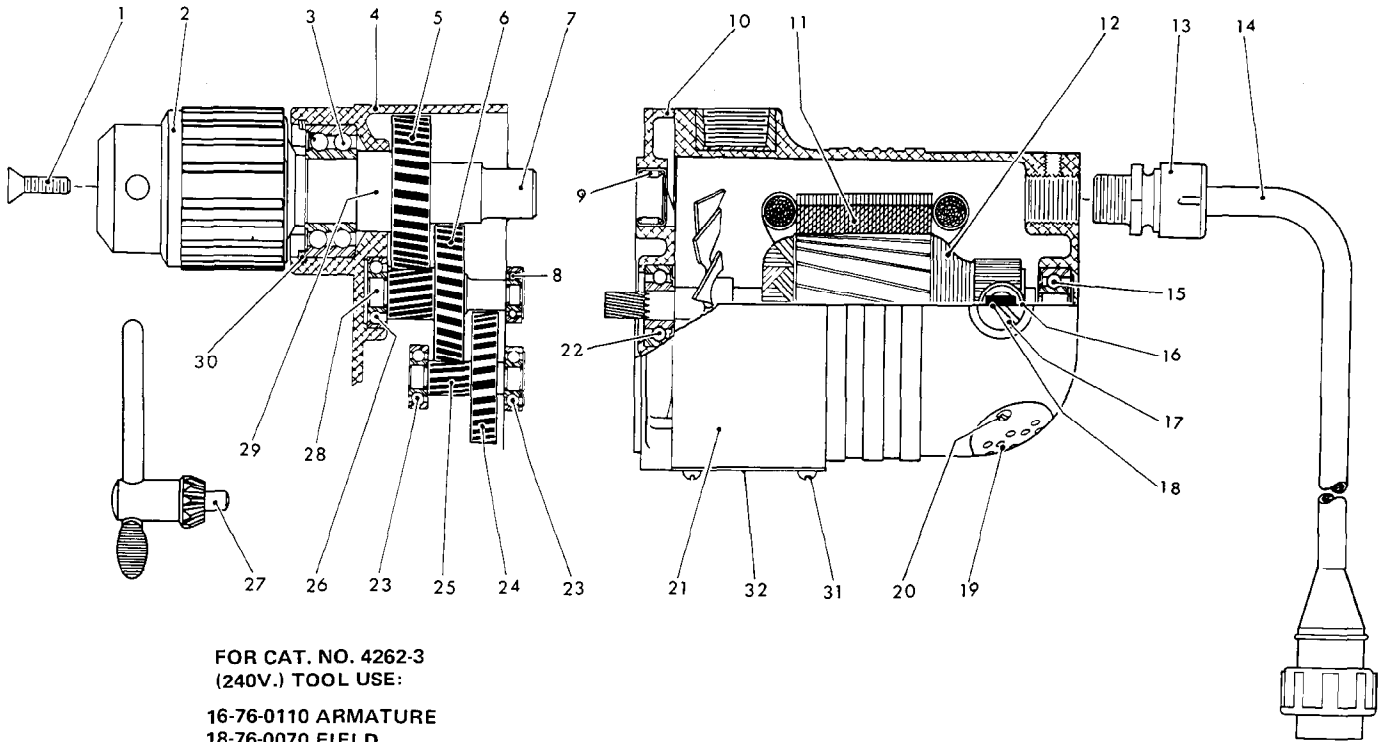


SERVICE PARTS LIST

SPECIFY CATALOG NO. AND SERIAL NO. WHEN ORDERING PARTS		REVISED BULLETIN 54-14-2400	DATE May '82
3/4" ELECTRIC DRILL			
CATALOG NO. 4262-1		STARTING SERIAL NO. 502-5000	
CAT. NO. 4262-6		BILINGUAL LABEL 10-98-6120	



FOR CAT. NO. 4262-3
(240V.) TOOL USE:
16-76-0110 ARMATURE
18-76-0070 FIELD
22-64-2740 CORD SET
22-56-0286 STRAIN RELIEF

FIG.	PART NO.	DESCRIPTION OF PART	NO. REQ.	FIG.	PART NO.	DESCRIPTION OF PART	NO. REQ.
	1	06-81-3100 5/16-18x1 Skt. Hd. Screw	(1)	26	02-04-1210	Ball Bearing	(1)
	2	48-66-2080 Chuck	(1)	27	48-66-3160	Chuck Key	(1)
★	3	02-20-2521 Ball Bearing	(1)	28	36-66-1301	Intermediate Shaft	(1)
	4	28-14-0091 Gear Case	(1)	29	45-36-0080	Spindle Spacer	(1)
	5	32-75-1261 Spindle Gear	(1)	30	34-80-3800	Retaining Ring	(1)
	6	32-44-1141 Intermediate Gear	(1)	31	06-81-5000	1/4-20x3/8 Truss Hd. Screw	(4)
	7	38-50-4251 Reversing Spindle	(1)	32	44-66-0050	Body Cover Plate	(1)
	8	02-04-0820 Ball Bearing	(1)				
	9	02-50-4820 Needle Bearing	(1)	MISCELLANEOUS PARTS NOT SHOWN			
10	28-28-0301	Diaphragm - Includes:	(1)	06-81-1975	1/4-20x2-1/4 Fil. Hd. Screw (For Fig. No. 4)	(2)	
	06-65-1206	Groove Pin	(1)	06-81-2100	1/4-20x3-1/4 Fil. Hd. Screw (For Fig. No. 4)	(2)	
	45-30-0070	Ball Brg. Retaining Slug	(2)	06-97-3800	Lockwasher (For Fig. No. 4)	(4)	
★ 11	18-70-0070	120 V. Field	(1)	★ 06-81-9190	10-24x2-1/4 Rd. Hd. Sem (For Fig. No. 11)	(2)	
★ 12	16-70-0110	120 V. Rev. Armature	(1)	12-99-0040	Nameplate	(1)	
13	22-56-0280	Strain Relief	(1)	06-85-0200	6x1/4 Rd. Hd. Nameplate Screw	(2)	
14	22-64-0740	Cord Set	(1)	06-83-2650	1/4-20x3/8 Knrl. Set Screw (For Fig. No. 16)	(2)	
15	02-04-1070	Ball Bearing	(1)	23-86-0060	Brush Holder Washer	(2)	
★ 16	22-22-1015	Brush Holder	(2)	06-42-1200	Woodruff Key (For Fig. No. 24)	(1)	
17	23-44-0030	Brush Retaining Screw	(2)	06-42-2000	Woodruff Key (For Fig. No. 6)	(1)	
18	22-18-0055	Carbon Brush	(2)	06-42-2400	Woodruff Key (For Fig. No. 5)	(1)	
19	44-66-0180	Cover Plate	(1)	12-98-7082	Caution Plate Omit for Canadian Tools	(1)	
20	06-81-8650	6-32x1/4 Rd. Hd. Sem	(2)	★ 23-16-0830	Arc Insulator	(1)	
21	28-50-4121	Motor Housing	(1)				
★ 22	02-04-1260	Ball Bearing	(1)				
23	02-04-0910	Ball Bearing	(2)				
24	32-42-1201	Intermediate Gear	(1)				
25	36-66-1251	Intermediate Shaft	(1)				