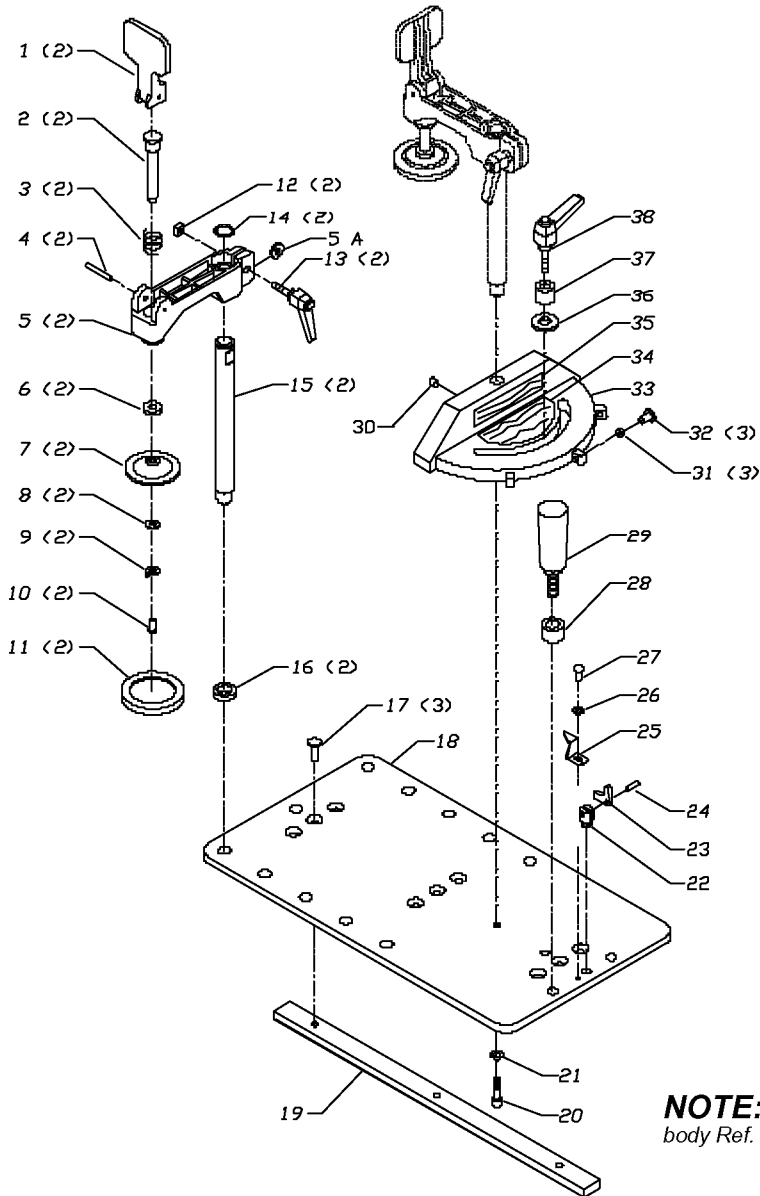




43-188 SLIDING SHAPER JIG

A41

REVISED: 06/19/00



NOTE: Some units require that a spacer be placed in the gap of the clamp body Ref. 5. If the gap space exceeds .060 then a spacer is required.

Parts List for 43-188 Type 1

Item Number	Part Number	Description	Qty Required
1	000000-00	No Longer Available	1
2	1347263	PLUNGER	2
3	1346337	SPRING	2
4	1246023	ROLL PIN	2
5	1347837	CLAMP BODY	1
5	801530	WASHER	1
6	5140010-69	WASHER	2
7	000000-00	No Longer Available	2
8	904010131738	WASHER	2
9	904020101726	LOCK WASHER	2
10	5140069-51	SCREW	2
11	1342944	RUBBER CAP	2
12	1342697	M6 SQ NUT	2
13	000000-00	No Longer Available	1
14	1348273	RETAINING RING	2
15	1347839	CLAMP SHAFT	2
16	1347840	COLLAR	2
17	901030300761	SCREW	3
18	43-188	ACCESSORY KIT	1
19	43-188	ACCESSORY KIT	1
20	1347843	SPECIAL SCREW	1
21	1341438	WASHER	1
22	1347849	STOP PIN	1
23	1347848	STOP LINK	1
24	1246182	ROLL PIN	1
25	1347847	POINTER	1
26	904010101619	STEEL WASHER	1

Parts List for 43-188 Type 1

Item Number	Part Number	Description	Qty Required
27	901020107562	SCREW	1
28	1347850	BUSHING	1
29	1345957	HANDLE	1
30	1310055	SET SCREW	1
31	1243569	NUT	3
32	1310161	SCREW	3
33	43-188	ACCESSORY KIT	1
34	1347836	NAMEPLATE	1
35	1347861	WARNING LABEL	1
36	1340637	WASHER	1
37	000000-00	No Longer Available	1
38	1347844	HANDLE	1
40	000000-00	No Longer Available	1