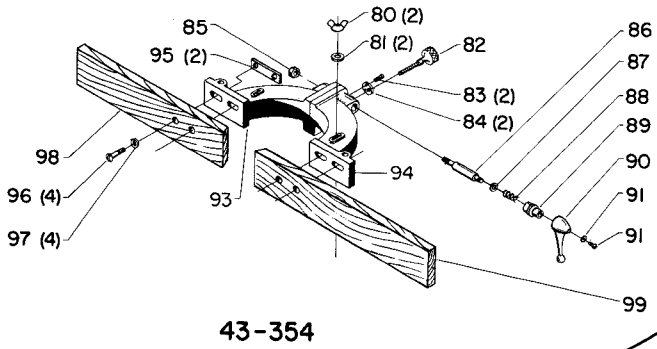
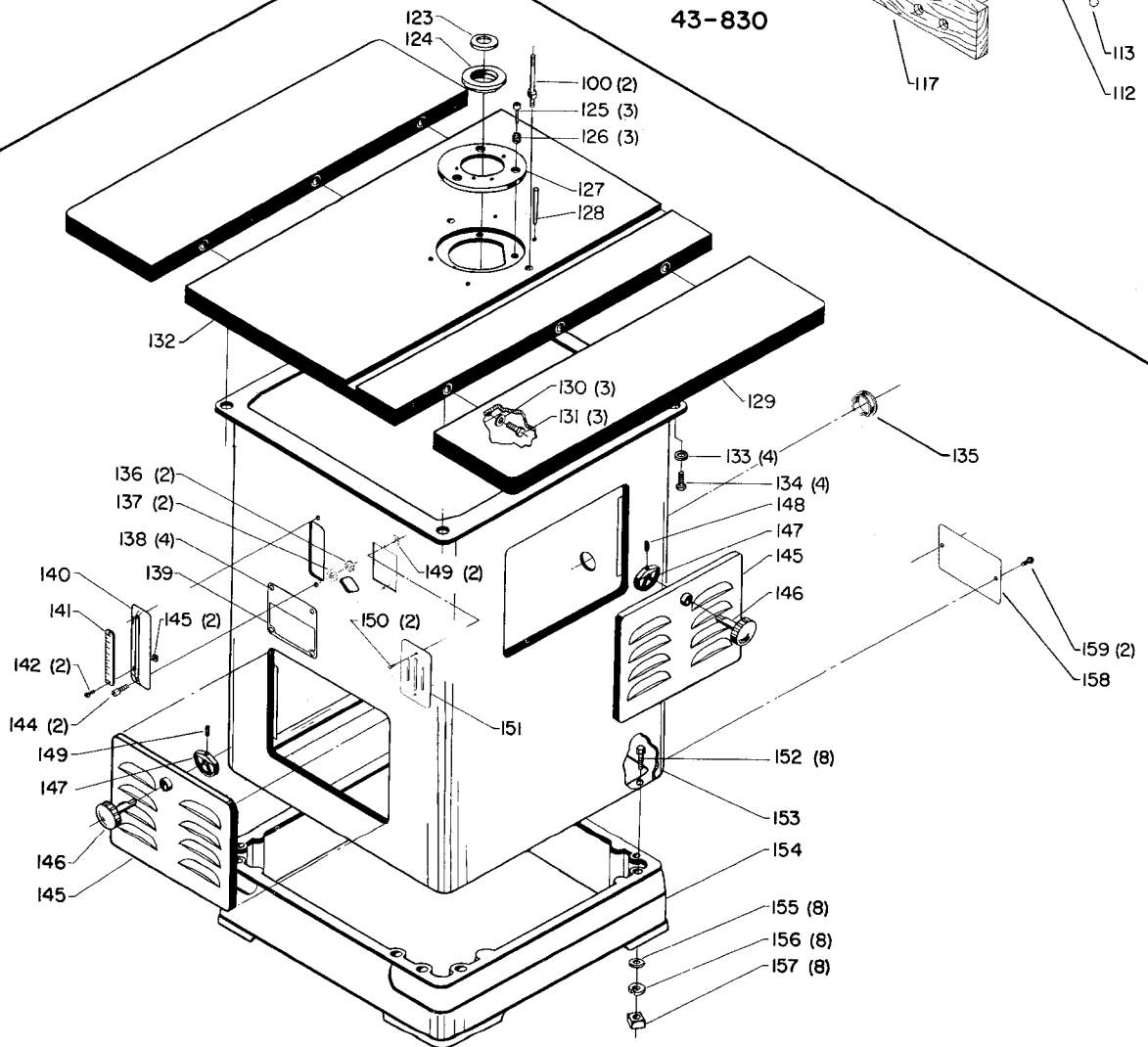
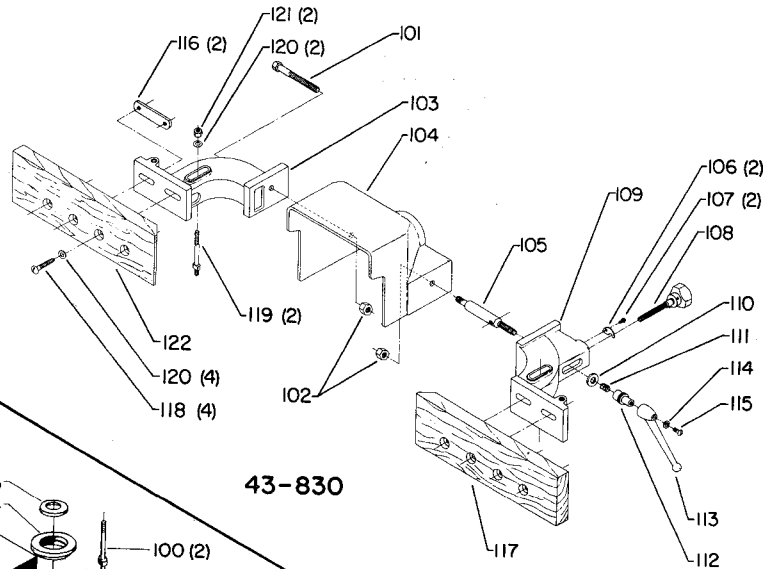


FENCE ASS'Y. - EARLY MODELS



FENCE ASS'Y. - CURRENT MODELS



Parts List for 43-205 Type 1

Item Number	Part Number	Description	Qty Required
1	432024035001	FLANGE ASSY	1
2	904020201705	LOCK WASHER	3
3	901010600672	CAP SCREW	3
4	000000-00	No Longer Available	1
5	000000-00	No Longer Available	1
6	432021055002S	RAISING NUT	1
7	432021045001	SPACER	1
8	422040755001S	POINTER	1
10	932010102860	BUSHING	3
11	432020795001	RETAINER	3
13	902011313082	SPEC NUT	1
14	904050106662S	SPECIAL KEYED WASHER	1
15	904100314506	1/2 SPACER	1
16	904100314507	3/4 SPACER	1
17	904100314508	1 SPACER	1
18	000000-00	No Longer Available	1
20	927011002606S	HI-PRO KEY	1
21	432020790001S	RETAINER	1
22	902070307171S	SPEC NUT	1
23	952011113261	TIE ROD	1
24	902012012584	SPECIAL NUT	1
25	904020201704S	LOCK WASHER	1
26	901010600646S	CAP SCREW	1
27	432021105001	HEX GUIDE POST	1
28	904010312905S	FLAT WASHER	1
29	000000-00	No Longer Available	1
30	902010205438	HEX JAM NUT	1

Parts List for 43-205 Type 1

Item Number	Part Number	Description	Qty Required
31	000000-00	No Longer Available	1
32	432020165001	BUMPER	1
33	000000-00	No Longer Available	1
34	434014040001	COLLAR W SCRW	1
35	901041500206	SET SCREW	1
36	905050402106S	COTTER PIN	2
37	000000-00	No Longer Available	1
38	901110200830S	CARRIAGE BOLT	4
39	904100313810	STEEL WASHER	4
40	904020101703S	LOCK WASHER	4
41	902010101300S	HEX NUT	4
42	901030408015S	CAP SCREW	2
43	491957-00	LOCK WASHER	2
44	432020315001	COVER PLATE	1
45	000000-00	No Longer Available	1
46	904100314514	COLLAR	1
47	920040107273	BEARING	1
48	904010101620S	WASHER	1
49	901010600605	CAP SCREW	1
50	000000-00	No Longer Available	1
51	904020101716	LOCK WASHER	1
52	000000-00	No Longer Available	1
53	920750112794	BUSHING	1
54	920750113933	BUSHING	1
55	000000-00	No Longer Available	1
56	422040740001S	PLUG	2
57	905030102431	TAPER PIN	1

Parts List for 43-205 Type 1

Item Number	Part Number	Description	Qty Required
58	422044120009S	LOCK KNOB	1
59	000000-00	No Longer Available	1
60	432020315002	COVER	1
61	901030103318S	SCREW	2
62	904070105569	FIBRE WASHER	1
63	930039913524	HAND WHEEL	1
64	901041500206	SET SCREW	1
65	927030102650S	KEY	1
67	955010501467S	COMBINATION WRENCH	2
68	955010200023	BOX-END WRENCH	1
69	000000-00	No Longer Available	1
71	000000-00	No Longer Available	1
72	902012012575	HEX NUT	1
74	904050106674	SPECIAL KEYED WASHER	1
75	902012018553	NUT	1
76	400060790001	RETAINER	2
77	400066030003S	ENVELOPE	1
80	902040101403	WING NUT	2
81	904010312937	WASHER	2
82	1087647	KNOB ASSY	1
83	491948-00	SCREW	2
84	432010470001	HALF COLLAR FLINGER	2
86	000000-00	No Longer Available	1
87	904100312097S	SPECIAL WASHER	1
88	928010214125	SPRING	1
89	432010270004	SERRATED NUT	1
90	406030330001S	HANDLE	1

Parts List for 43-205 Type 1

Item Number	Part Number	Description	Qty Required
91	5140010-69	WASHER	1
92	901030408015S	CAP SCREW	1
95	432010040003S	CLAMP PLATE	2
96	000000-00	No Longer Available	1
97	904010101620S	WASHER	4
98	432020435001	USE 432-02-043-0003	1
99	432020435002	Use 432-02-043-0004	1
100	432011110003	STUD	2
101	901010600633	CAP SCREW	1
102	902012012579	SPEC NUT	1
104	000000-00	No Longer Available	1
105	432011110004	STUD	1
106	432010470001	HALF COLLAR FLINGER	2
107	491948-00	SCREW	2
108	1087647	KNOB ASSY	1
110	904100312097S	SPECIAL WASHER	1
111	928010214125	SPRING	1
112	432010270004	SERRATED NUT	1
113	406030330001S	HANDLE	1
114	5140010-69	WASHER	1
115	901030408015S	CAP SCREW	1
116	432010040003S	CLAMP PLATE	2
117	432020430003	R.H. FENCE	1
118	000000-00	No Longer Available	1
119	432011110003	STUD	1
120	904010312937	WASHER	6
121	902010101300S	HEX NUT	2

Parts List for 43-205 Type 1

Item Number	Part Number	Description	Qty Required
122	432020430004	L.H. FENCE	1
123	432010630001	TABLE INSERT	1
124	432020635001S	INSERT	1
125	000000-00	No Longer Available	3
126	432021125002	SPEC SCREW	3
127	000000-00	No Longer Available	1
128	905030131493	TAPERED PIN	1
130	904020101716	LOCK WASHER	3
131	901010600664S	CAP SCREW	3
132	000000-00	No Longer Available	1
133	904100312097S	SPECIAL WASHER	4
134	901010600680	CAP SCREW	4
135	438010110020	INSULATOR	1
136	489026-00	HEX NUT	2
137	904030301757S	LOCK WASHER	2
138	901064502250S	DRIVE SCREW	4
140	432020140001	BRACKET W/SCALE	1
141	432020140001	BRACKET W/SCALE	1
142	000000-00	No Longer Available	1
143	902020401301	SQUARE NUT	1
144	901030103345S	CAP SCREW	2
145	000000-00	No Longer Available	1
146	422044065004	LOCK PIN	1
147	422040195001	CAM	1
148	901041500206	SET SCREW	1
149	000000-00	No Longer Available	2
150	901020100564	MACHINE SCREW	2

Parts List for 43-205 Type 1

Item Number	Part Number	Description	Qty Required
151	402040310001S	SWITCH OPENING COVER	1
152	901110200830S	CARRIAGE BOLT	8
153	000000-00	No Longer Available	1
154	1087066	BASE	1
155	491956-00	WASHER	8
156	904020101703S	LOCK WASHER	8
157	902020401303S	SQUARE NUT	8
158	000000-00	No Longer Available	1
159	000000-00	No Longer Available	1