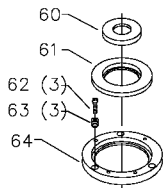
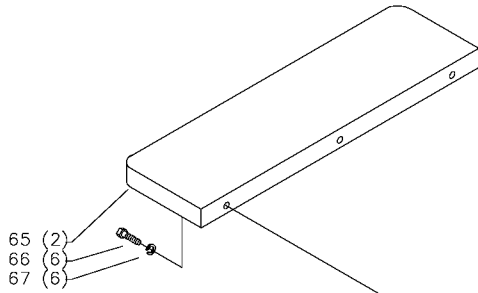
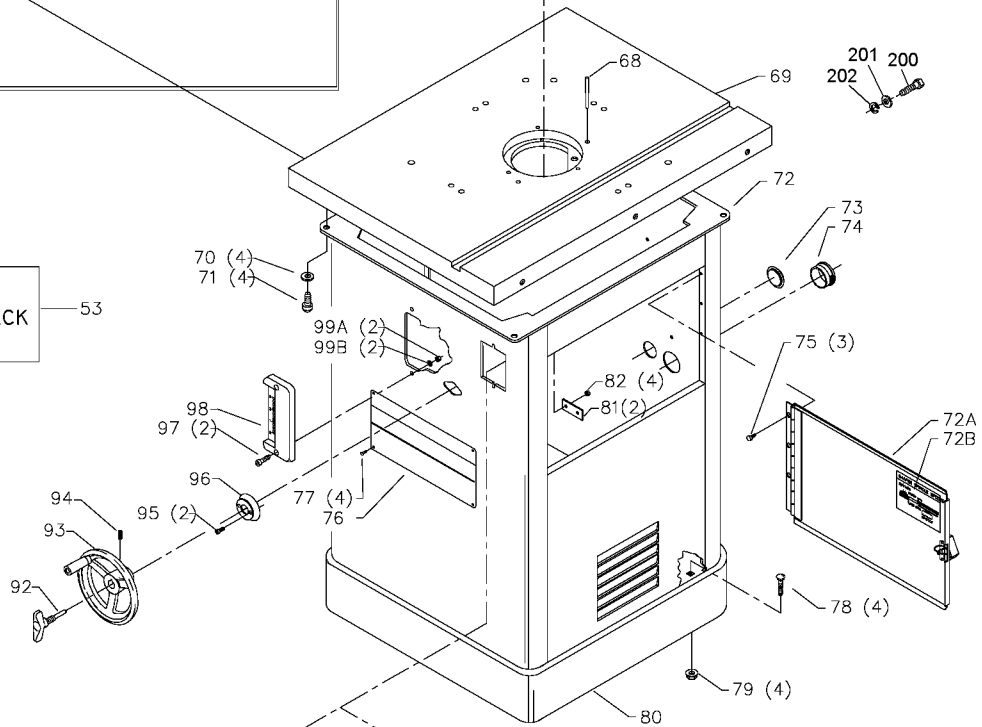


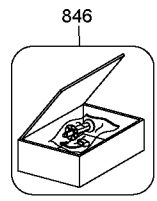
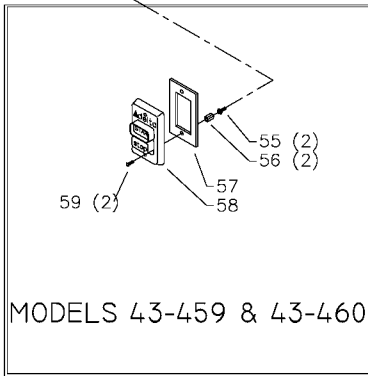
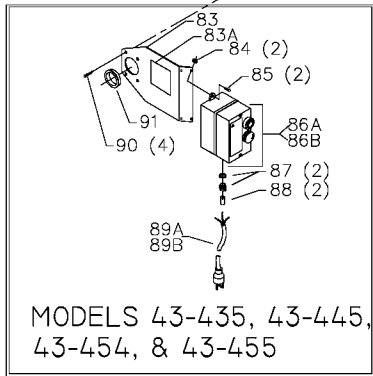
MODEL 43-445 (QTY 1)  
 MODELS 43-435, 43-454, 43-455, 43-459, &  
 43-460 (QTY 2)



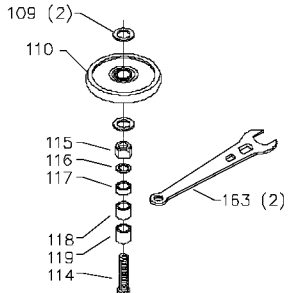
WING HARDWARE PACK — 53



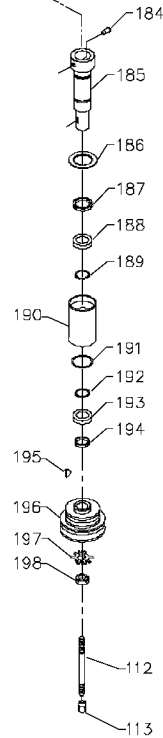
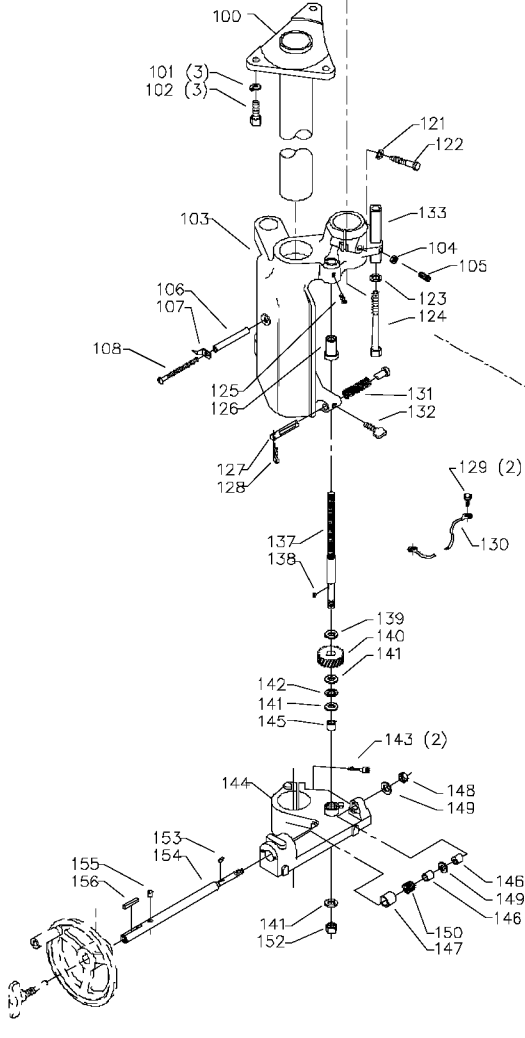
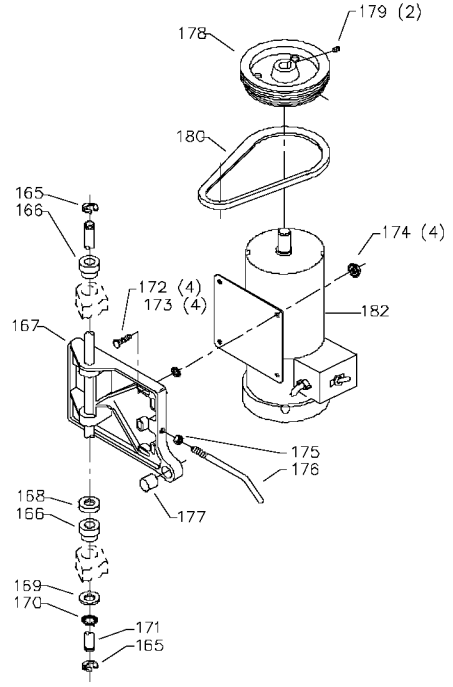
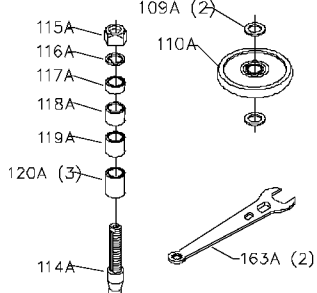
SWITCH/WING  
 HARDWARE PACK — 54



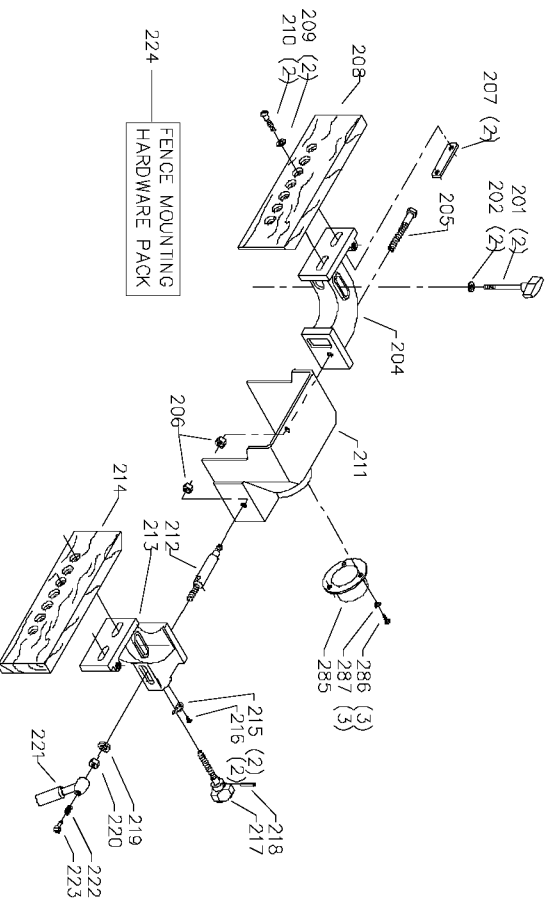
3/4" SPINDLE  
MODEL 43-435 &  
43-445 ONLY



1-1/4" SPINDLE  
MODELS 43-454, 43-455,  
43-459, & 43-460



4.3-830 SHAPER FENCE  
MODEL 4.3-445 ONLY



## Parts List for 43-445 Type 1

Item Number	Part Number	Description	Qty Required
53	000000-00	No Longer Available	1
54	432026280003	SWTCH/WING HARDWARE	1
60	432020630004	TABLE INSERT-SMALL	1
61	432020630002	INSERT	1
62	000000-00	No Longer Available	3
63	432021120002	INSERT SCREW	3
64	432020630003	TABLE INS ASSY-OUTER	1
65	A24617S	10INUNIV WING	1
66	901010600664S	CAP SCREW	2
67	904100312097S	SPECIAL WASHER	2
68	905030131493	TAPERED PIN	1
69	000000-00	No Longer Available	1
70	904100312097S	SPECIAL WASHER	4
71	901030101487	SCREW	4
72	000000-00	No Longer Available	1
72	000000-00	No Longer Available	1
72	000000-00	No Longer Available	1
72	000000-00	No Longer Available	1
72	432027540006	SPEED CHART	1
73	438010110065	PLUG	1
74	438010110020	INSULATOR	1
75	901052131498	SCREW	3
76	000000-00	No Longer Available	1
76	432021370006	NAMEPLATE	1
76	432021370006	NAMEPLATE	1
77	1087794	RIVET	4
78	901110200834S	CARRIAGE BOLT	4

## Parts List for 43-445 Type 1

Item Number	Part Number	Description	Qty Required
79	902015031514	FLANGED HEX NUT	4
80	422043050001	SUB BASE	1
81	000000-00	No Longer Available	2
82	902011331529S	1/4-20 FLANGED NUT	4
83	432020140017	STARTER BRACKET	1
83	432020140017	STARTER BRACKET	1
83	422047520185	LABEL	1
84	902012931513S	KEPS NUT	2
85	901024531123S	SCREW	2
86	438013170154	STARTER	1
86	438013170153	STARTER	1
87	438010040007S	CLAMP	2
88	438010110054S	INSULATOR SLEEVE	2
89	438013022013	230V POWER CORD	1
89	438013022004	CORD	1
90	901024031131S	SCREW	4
91	438010110020	INSULATOR	1
92	422044120009S	LOCK KNOB	1
93	422044000005S	HANDWHEEL	1
94	901041500206	SET SCREW	1
95	901030103318S	SCREW	2
96	432020315002	COVER	1
97	901030103345S	CAP SCREW	2
98	432020140001	BRACKET W/SCALE	1
99	489026-00	HEX NUT	2
99	904030301757S	LOCK WASHER	2
100	432024030002	FLANGE ASSY	1

## Parts List for 43-445 Type 1

Item Number	Part Number	Description	Qty Required
101	904020201705	LOCK WASHER	3
102	901010600672	CAP SCREW	3
103	432020120008	BODY	1
104	902010101300S	HEX NUT	1
105	901041931403	SET SCREW	1
106	432021045001	SPACER	1
107	422040755001S	POINTER	1
108	901020131813	SCREW	1
109	432021040006	SPACER	2
110	000000-00	No Longer Available	1
110	432096280002	GUARD MT	1
112	432021120003	TIE ROD	1
113	902012012584	SPECIAL NUT	1
114	432020850005S	3/4 SPINDLE	1
115	902011313082	SPEC NUT	1
116	904050106662S	SPECIAL KEYED WASHER	1
117	904100314506	1/2 SPACER	1
118	904100314507	3/4 SPACER	1
119	904100314508	1 SPACER	1
121	904020201704S	LOCK WASHER	1
122	901010600646S	CAP SCREW	1
123	904010312905S	FLAT WASHER	1
124	000000-00	No Longer Available	1
125	901041500206	SET SCREW	1
126	432021055002S	RAISING NUT	1
127	000000-00	No Longer Available	1
128	905050402106S	COTTER PIN	1

## Parts List for 43-445 Type 1

Item Number	Part Number	Description	Qty Required
129	901030103318S	SCREW	2
130	438013200258	JUMPER WIRE	1
131	432021220001S	SPRING	1
132	901042601528S	THUMB SCREW	1
133	432021105001	HEX GUIDE POST	1
137	432021120001	VERT RAISING SCREW	1
138	927010102633	KEY	1
139	904010312905S	FLAT WASHER	1
140	432020510002	SPIRAL GEAR	1
141	920760331392S	THRUST WASHER	1
142	920450131412S	THRUST BEARING	1
143	901030100760	CAP SCREW	2
144	000000-00	No Longer Available	1
144	432023140010	ELEV BRKT/GEAR ASSY	1
145	920750131524	BEARING	1
146	920750131523	BEARING	1
147	920750112784	BUSHING	1
148	902012131635	LOCK NUT	1
149	920760331391	SPECIAL WASHER	1
150	432020510001	SPIRAL GEAR	1
152	902012817295S	LOCK NUT	1
153	927010102631	KEY	1
154	432021060002	HOR RAISING SCREW	1
155	422040740001S	PLUG	1
156	927030102650S	KEY	1
163	955010501467S	COMBINATION WRENCH	2
165	904150607443	RET RING	1

## Parts List for 43-445 Type 1

Item Number	Part Number	Description	Qty Required
166	932010102860	BUSHING	1
167	000000-00	No Longer Available	1
168	432020795001	RETAINER	1
169	904010101611	STEEL WASHER	1
170	928070107378	FINGER SPRING WASHER	1
171	432021060001	SHAFT	1
172	901110200830S	CARRIAGE BOLT	4
173	904030301656S	LOCK WASHER	4
174	902015031514	FLANGED HEX NUT	4
175	902012012579	SPEC NUT	1
176	000000-00	No Longer Available	1
177	432020165001	BUMPER	1
178	432024300004	PULLEY	1
179	901041500206	SET SCREW	2
180	432021330001	POLY V-BELT	1
182	438023146207	1PH 3HP 208-230V MOT	1
182	86005	TRI VOLTAGE MOTOR	1
182	438023146206	1PH 5HP 230V MOTOR	1
182	438023146207	1PH 3HP 208-230V MOT	1
182	438023146206	1PH 5HP 230V MOTOR	1
184	432020710003S	DRIVE PIN	1
185	432021050003S	SLEEVE	1
185	432023850011	SPINDLE ASSY	1
186	432021030002S	FLANGE	1
187	432020790002S	NUT	1
188	920040331821S	BEARING	1
189	904150131819S	RETAINING RING	1



## Parts List for 43-445 Type 1

Item Number	Part Number	Description	Qty Required
190	432020770001S	QUILL	1
191	904040131820S	WAVE WASHER	1
192	904150131819S	RETAINING RING	1
193	920040331821S	BEARING	1
194	432021040012S	SPACER	1
195	927011002606S	HI-PRO KEY	1
196	432021300006S	SPINDLE PULLEY	1
197	432020790001S	RETAINER	1
198	902070307171S	SPEC NUT	1
201	432011380002	FENCE CLAMP KNOB	2
202	904010312937	WASHER	2
204	432010890013	FENCE BODY LH	1
205	901010600633	CAP SCREW	1
206	902012012579	SPEC NUT	1
207	432010040003S	CLAMP PLATE	2
208	432020430004	L.H. FENCE	1
209	904010101620S	WASHER	2
210	000000-00	No Longer Available	2
211	000000-00	No Longer Available	1
212	432021110002	STUD	1
213	432010890012	FENCE BODY RH	1
214	432020430003	R.H. FENCE	1
215	432010470001	HALF COLLAR FLINGER	2
216	901030103318S	SCREW	2
217	1087647	KNOB ASSY	1
218	905010102706S	ROLL PIN	1
219	904100312097S	SPECIAL WASHER	1

## Parts List for 43-445 Type 1

Item Number	Part Number	Description	Qty Required
220	902012012579	SPEC NUT	1
221	424020330005	RATCHET HANDLE	1
222	406031220002	SPRING	1
223	406031120006	SPECIAL SCREW	1
224	000000-00	No Longer Available	1
285	000000-00	No Longer Available	1
286	901020100582	MACHINE SCREW	3
287	904010101610S	STEEL WASHER	3
401	43-800	ROUTER CHUCK	1
402	698799	COLLET	1
403	698800	1/2 COLLET	1
403	698800	1/2 COLLET	1
404	000000-00	No Longer Available	1
405	955030100010	7/32 ALLEN WRENCH	1
406	000000-00	No Longer Available	1
407	000000-00	No Longer Available	1
408	000000-00	No Longer Available	1
409	955010401485S	OPEN-END WRENCH	1
409	404011015001	OPEN-END WRENCH	1
410	432021050004	1/2 COLLAR	1
411	432021050002	1/2IN COLLAR	1
412	904050106674	SPECIAL KEYED WASHER	1
413	902012018553	NUT	1
414	43-807	SPINDLE	1
415	904050106662S	SPECIAL KEYED WASHER	1
416	902011313082	SPEC NUT	1
417	000000-00	No Longer Available	1

## Parts List for 43-445 Type 1

Item Number	Part Number	Description	Qty Required
418	000000-00	No Longer Available	1
419	902012012575	HEX NUT	1
420	432021040008	SPACER	1
421	432020170004	BUSHING	1
422	955010200023	BOX-END WRENCH	1
423	432026290011	HARDWARE PACK	1