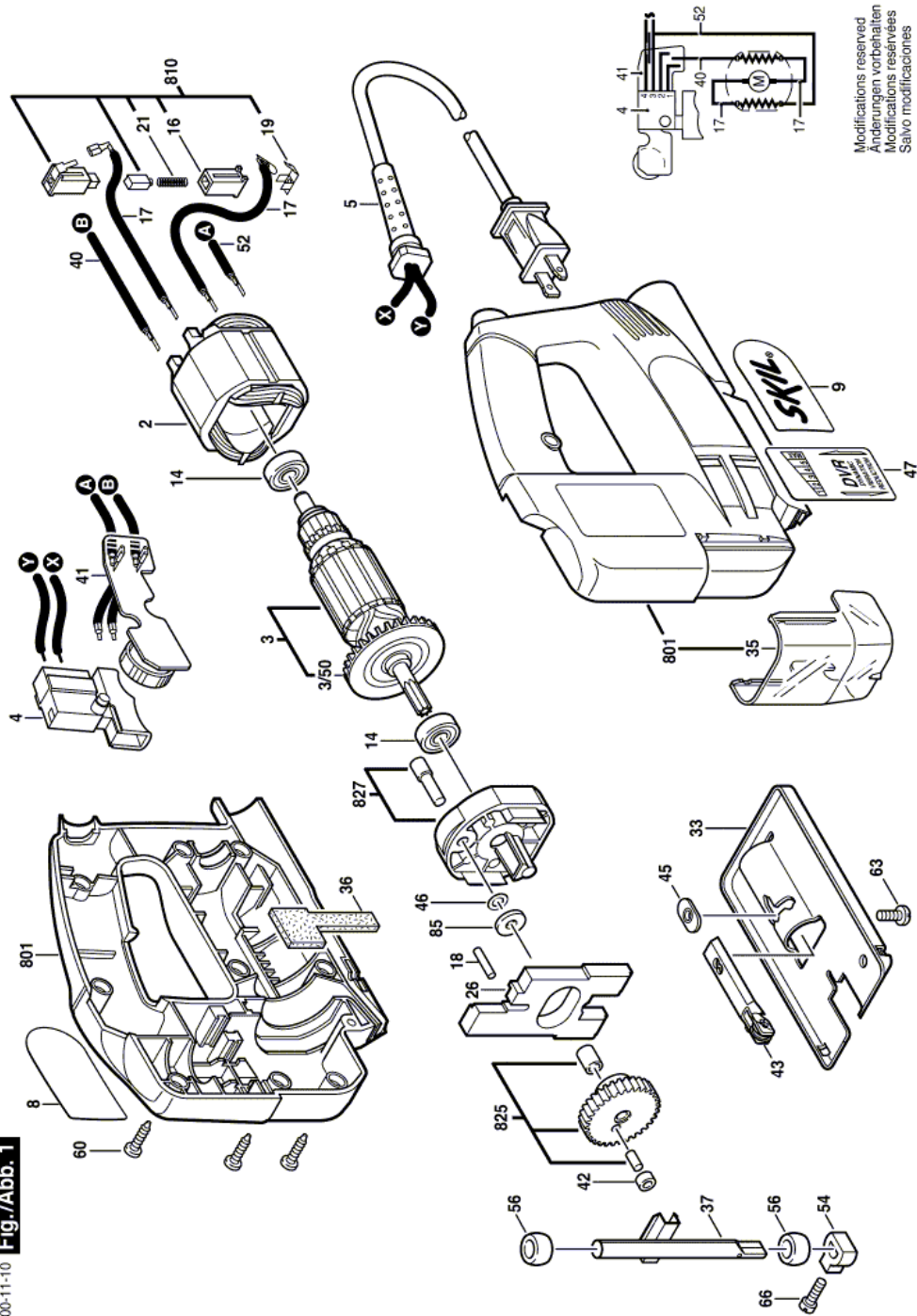


Jig Saw - F 012 433 900 - 4339

Item	Part Number	Description	Illustration	Price	Quantity	Price Group
	2 2 610 968 468	Pole Shoe 120V	1	-,-	1	-
	3 2 610 968 458	Armature With Fan 120V	1	-,-	1	-
	3/50 2 610 968 460	Fan	1	-,-	1	-
	4 2 610 968 456	On-Off Switch	1	-,-	1	-
	5 2 610 354 068	Power supply cord	1	-,-	1	-
	8 2 610 995 469	Nameplate	1	-,-	1	-
	9 2 610 908 909	Reference Plate	N/A	-,-	1	-
	14 2 610 351 861	Ball Bearing	1	-,-	2	23
	16 2 610 320 548	Brush Holder	1	-,-	2	13
	17 2 610 968 496	Cable 40 MM	1	-,-	2	-
	18 2 610 072 554	Dowel pin	1	-,-	1	11
	19 2 610 329 896	Terminal	1	-,-	2	11
	21 2 610 329 898	Strip brush	1	-,-	2	11
	26 2 610 385 254	Counter Weight	1	-,-	1	15
	33 2 610 908 908	Base	1	-,-	1	-
	35 2 610 968 463	Covering hood	1	-,-	1	-
	36 2 610 991 476	Felt Seal	1	-,-	1	-
	37 2 610 991 256	Plunger Bar	1	-,-	1	20
	40 2 610 968 490	Connecting Cable 200 MM	1	-,-	1	-
	41 2 610 968 452	Printed-Board Assembly 230V	1	-,-	1	-
	42 2 610 326 529	Sleeve	1	-,-	1	13
	43 2 610 991 480	Support	1	-,-	1	21
	45 2 610 968 473	Nut	1	-,-	1	11
	46 2 610 346 386	Washer	1	-,-	1	11
	47 2 610 995 468	Sticker	1	-,-	1	-
	52 2 610 968 491	Connecting Cable 155 MM	1	-,-	1	-
	54 2 610 352 727	Support	1	-,-	1	11
	56 2 610 347 566	Bearing	1	-,-	2	13
	60 1 619 X00 504	Screw	1	-,-	10	10
	63 2 610 968 495	Hex Screw	1	-,-	1	-
	66 2 610 991 280	Pan head screw	1	-,-	1	11
	85 2 610 326 586	Washer	1	-,-	1	11
	801 2 610 995 939	Housing	1	-,-	1	-

Item	Part Number	Description	Illustration	Price	Quantity	Price Group
810	2 609 120 199	Carbon-Brush Set	1	-,-	1	22
825	2 610 991 452	Gear Housing	1	-,-	1	23
827	2 610 968 497	Intermediate Flange	1	-,-	1	-

Illustration - Type E



Modifications reserved
Änderungen vorbehalten
Modificaciones reservadas
Salvo modificaciones

F012 433 900
Issue 00-11-10
Stand

Fig./Abb. 1

Information subject to change without further notice.