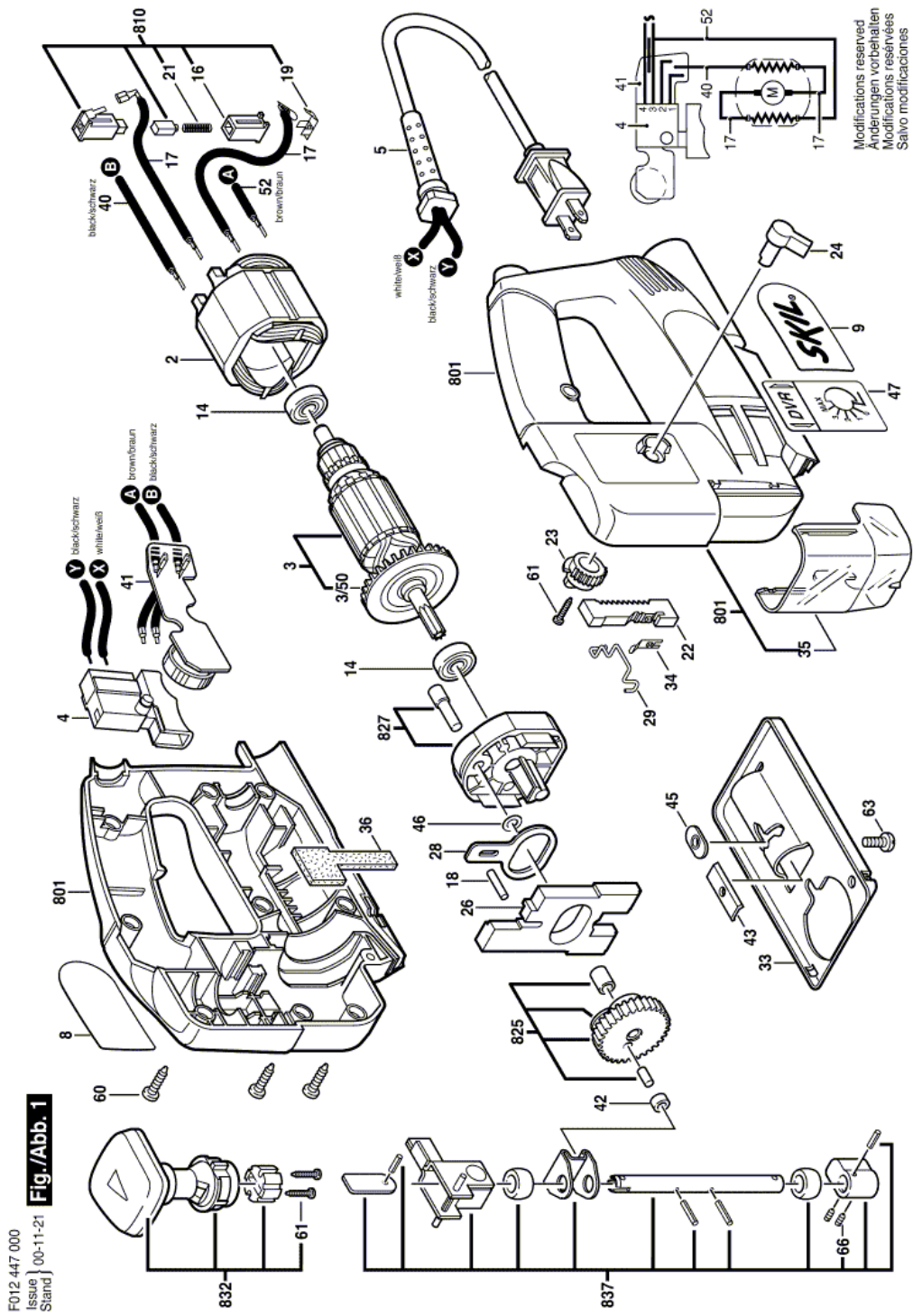


## Jig Saw - F 012 447 000 - 4470

Item	Part Number	Description	Illustration	Price	Quantity	Price Group
	2 2 610 968 468	Pole Shoe 120V	1	-,-	1	-
	3 2 610 968 458	Armature With Fan 120V	1	-,-	1	-
	3/50 2 610 968 460	Fan	1	-,-	1	-
	4 2 610 968 456	On-Off Switch	1	-,-	1	-
	5 2 610 354 068	Power supply cord	1	-,-	1	-
	8 2 610 993 025	Nameplate	1	-,-	1	-
	9 2 610 908 909	Reference Plate	1	-,-	1	-
	14 2 610 351 861	Ball Bearing	1	-,-	2	23
	16 2 610 320 548	Brush Holder	1	-,-	2	13
	17 2 610 968 496	Cable 40 MM	1	-,-	2	-
	18 2 610 072 554	Dowel pin	1	-,-	1	11
	19 2 610 329 896	Terminal	1	-,-	2	11
	21 2 610 329 898	Strip brush	1	-,-	2	11
	22 2 610 346 316	Protective Cap	1	-,-	1	13
	23 2 610 346 317	Cam	1	-,-	1	11
	24 2 610 968 470	Lever	1	-,-	1	-
	26 2 610 346 330	Counter Weight	1	-,-	1	16
	28 2 610 346 352	Tappet	1	-,-	1	15
	29 2 610 346 358	Support	1	-,-	1	11
	33 2 610 909 031	Base Plate	1	-,-	1	-
	34 2 610 346 793	Spring	1	-,-	1	11
	35 2 610 968 463	Covering hood	1	-,-	1	-
	36 2 610 991 476	Felt Seal	1	-,-	1	-
	40 2 610 968 490	Connecting Cable 200 MM	1	-,-	1	-
	41 2 610 968 452	Printed-Board Assembly 230V	1	-,-	1	-
	42 2 610 326 529	Sleeve	1	-,-	1	13
	43 2 610 346 351	Plate	1	-,-	1	11
	45 2 610 968 473	Nut	1	-,-	1	11
	46 2 610 346 386	Washer	1	-,-	1	11
	47 2 610 909 032	Reference Plate	1	-,-	1	-
	52 2 610 968 491	Connecting Cable 155 MM	1	-,-	1	-
	60 1 619 X00 504	Screw	1	-,-	10	10
	61 2 610 327 772	Screw	1	-,-	3	11

Item	Part Number	Description	Illustration	Price	Quantity	Price Group
63	2 610 968 495	Hex Screw	1	-,-	1	-
66	2 610 968 469	Screw	1	-,-	2	-
801	2 610 995 941	Housing	1	-,-	1	-
810	2 609 120 199	Carbon-Brush Set	1	-,-	1	22
825	2 610 346 364	Eccentric Cog Wheel	1	-,-	1	-
827	2 610 968 497	Intermediate Flange	1	-,-	1	-
832	2 610 968 467	Knob	1	-,-	1	-
837	2 610 991 453	Pump element	1	-,-	1	-

Illustration - Type E



Information subject to change without further notice.