

# 505 505H 8505

## SERVICE NOTES

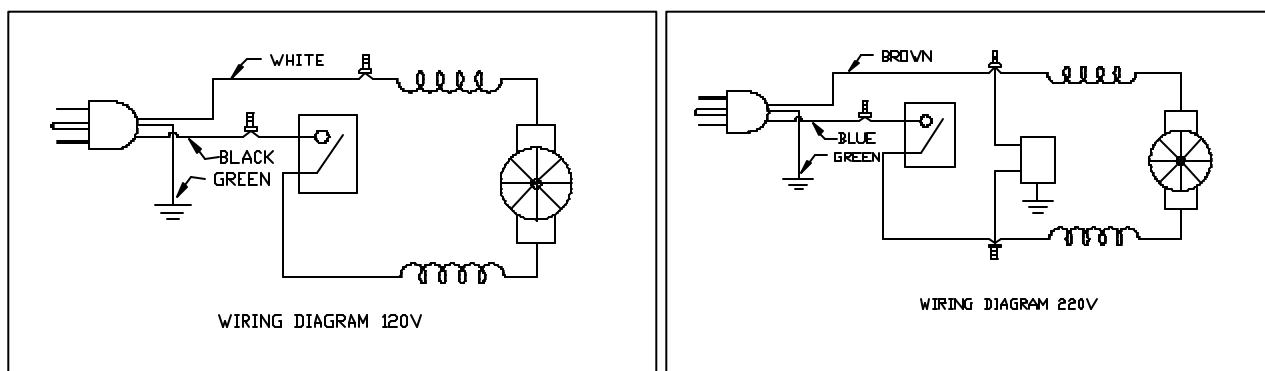
### FIELD REPLACEMENT

The current field has only 2 leads as opposed to 4 leads on early fields. When replacing an early field with the current field, refer to the wiring diagram below.

### PAD HOLDER BEARING

Apply loctite to the outer race of the pad holder bearing when assembling.

### WIRING DIAGRAM



### BEARING RETAINER

Early version used a retainer plate (844573) to secure the fan end bearing (#11A) to the housing. Current version uses two washers (#113) to retain bearing. Retainer plate (844573) is no longer available. Two (#113) washers may be used to service all versions.

### PAD

When installing pad, apply a small bead of RTV sealant to backing plate around the center hole. This will prevent dust infiltration of the pad bearing.

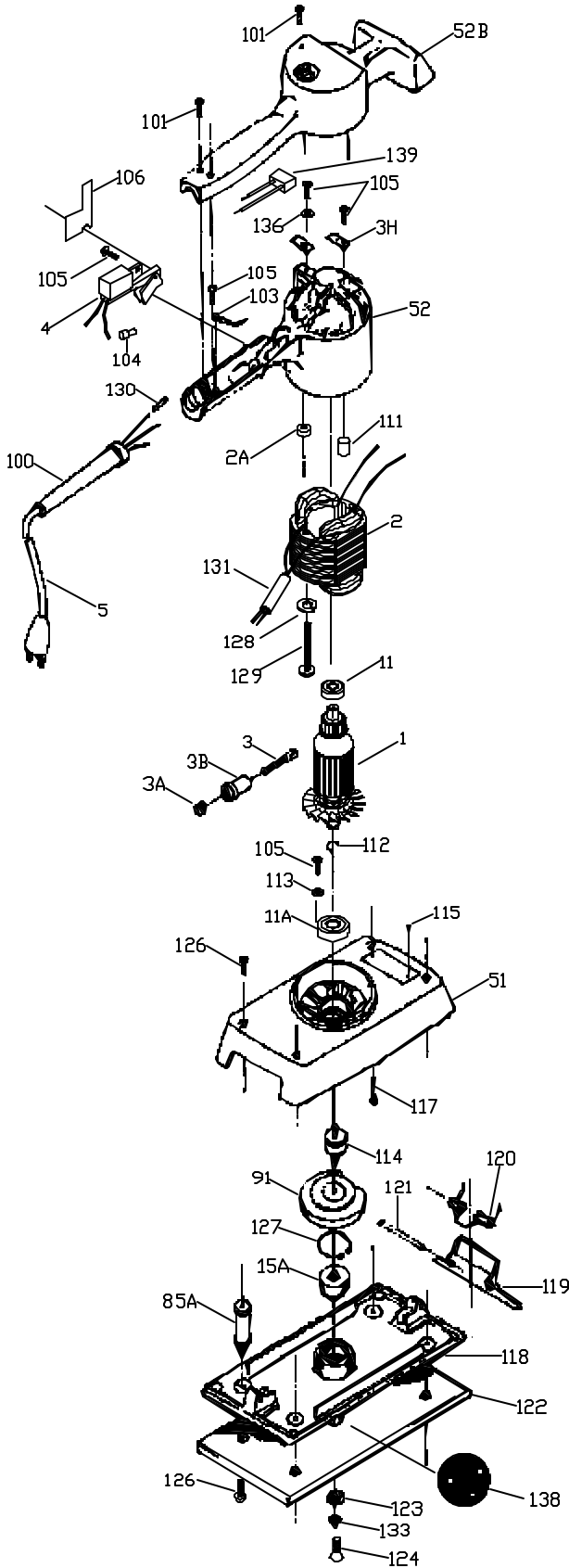
### FIELD SPACERS

Special field spacers were used on Type 2, Serial Numbers 088034 through 090482. The spacers are only required with the original motor housing on these units. If a replacement motor housing is installed, the spacers must not be used.

# PORTER-CABLE FINISHING SANDER

**WARNING:** Electrical repairs should only be attempted by trained repairmen. Contact the nearest Porter-Cable Service Center or other competent repair center

## 505 505H 8505



Ref. No.	Part No.	Description
1	693920	Armature 120V
	873129	Armature 220V
2	693921	Field 120V
	904264	Field 220V, T3
	873130	Field 220V, T1, T2
2A	872625**	Field Spacers, CF, (T2, 120V, S/N 088034 thru 090482 ONLY)
3	857761	Brush 120V
	904094	Brush 220V
3A	823727	Brush Cap
3B	844089	Brush Holder
3H	801271	Brush Holder Clip
4	802441	Switch
5	846674	Cord 120V
	879758	Cord 220V, Euro
11	855284	Comm End Bearing
11A	855277	Fan End Bearing
15A	895993**	Counterweight Bearing
51	858913	Base Housing, 505
n	907427	Base Housing, 505H
52	693914**	Motor Housing, 505
	874044	Motor Housing, Commemorative 505
n	907428	Motor Housing, 505H
52B	844082	Motor Housing Cap 120V, 505
	685979	Motor Housing Cap 220V
n	907426	Motor Housing Cap, 505H
85A	n 846738	Pad Post
91	874574	Counterweight
100	838270	Cord Strain Reliever
101	878813	Screw
103	849314	Ground Wire Terminal
104	682063	Connector
105	882187	Screw
106	844684	Wire Guard, Early Units
111	842597	Bearing Plug
112	853455	Fan End Bearing Ring
113	800471**	Washer
114	844414	Coupling
115	801374	Spec. Plate Screw, Early Units
117	844644	Base Screw
118	846457	Pad Holder Assy., Incl.: Ref. 15A, 119, 120, 121, 127
119	844094	Paper Clamp
120	844095	Paper Clamp Spring
121	844096	Paper Clamp Hinge Pin
122	13598**	Stikit Pad, Current
	846456**	Felt Pad, Early Units
123	844574	Counterweight Bearing Washer
124	845974	Counterweight Screw
126	681637	Screw, (After S/N 096056)
	851011	Screw, (Before S/N 96056)
127	802426	Snap Ring
128	802414	Lock Washer, Early T2 Units
129	838310	Field Screw 10-24 X 1 3/4"
	853480	Field Screw 10-24 X 1 9/16"
130	802303	Connector
131	879363	Sleeving
133	841851	Counterweight Lock Washer
136	802995	Filter Spacing Washer, Early 220V Units
138	879038	Dust Seal
139	903653	Filter 220V, T3
	895988	Filter, Rectangular Type 220V, Late T2
	856787	Filter, Barrell Type 220V, T1, Early T2
140	903652	Capacitor 220V, T3 Only
*	855628	Field Lead

\* Not Shown  
\*\* See Service Notes