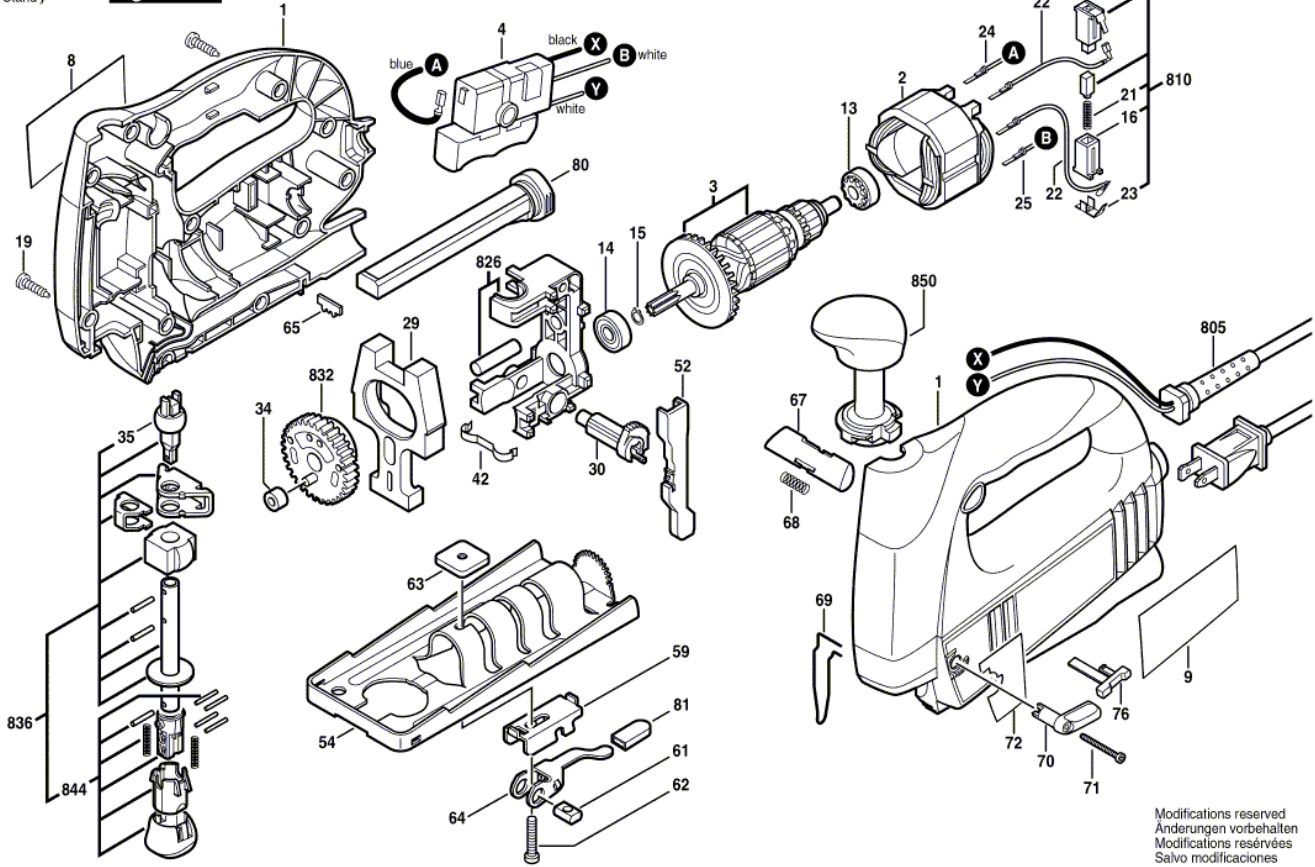


F012 454 000
Issue | 02-12-10
Stand | **Fig./Abb. 1**



Pos.	Part Number	Description	Pos.	Part Number	Description
1	2 610 913 984	Housing Set			
2	2 610 913 978	Pole Shoe			
3	2 610 913 979	Armature With Fan			
4	2 610 917 417	On-Off Switch			
8	2 610 915 918	Manufacturer's nameplate			
9	2 610 915 234	Reference Plate			
13	2 610 967 219	Bushing			
14	2 610 917 489	Deep-Groove Ball Bearing			
15	2 610 931 268	Retaining snap ring			
16	2 610 320 548	Carbon Brush Holder			
19	2 603 490 022	Torx Oval-Head Screw			
21	2 610 329 898	Spring			
22	2 610 968 496	Power supply cord			
23	2 610 329 896	Terminal			
24	2 610 912 732	Connecting Cable			
25	2 610 917 138	Connecting Cable			
29	2 610 913 999	Counter Weight			
30	2 610 914 016	Spare Part			
34	2 610 914 010	Sintered-Metal Bushing			
35	2 610 914 007	Sintered-Metal Bushing			
42	2 610 914 011	Spring Clip			
52	2 610 914 015	Spare Part			
54	2 610 916 603	Spare Part			
59	2 610 916 347	Support			
61	2 610 913 993	Journal			
62	2 610 913 994	Collar bolt			
63	2 610 913 995	Nut			
64	2 610 913 992	Lever			
65	2 610 917 358	Locking Piece			
67	2 610 913 986	Sia-Interlock Switch Lock			
68	1 619 X01 041	Button Spring			
69	2 610 912 487	Protection			
70	2 610 916 094	Lever			
71	2 603 490 019	Torx Oval-Head Screw			
72	2 610 915 251	Label			
76	2 610 913 988	Spare Part			
80	2 610 915 110	Cover			
81	2 610 917 102	Protective Cap			
805	1 619 X00 506				
810	2 610 917 266	Carbon-Brush Set			
826	2 610 917 218	Bearing Housing			
832	2 610 917 219	Gear			
836	2 610 917 220	Plunger Bar			
844	2 610 917 221	Blade Holder			
850	2 610 917 222	Knob			