



SERVICE PARTS LIST

BULLETIN NO.
54-40-5455

SPECIFY CATALOG NO. AND SERIAL NO. WHEN ORDERING PARTS			REVISED BULLETIN	DATE
MITER SAW STAND				Aug. 2009
CATALOG NO.	48-08-0550	SERIAL NUMBER	C31A	
			WIRING INSTRUCTION	

EXAMPLE:
Component Parts (Small #) Are Included When Ordering The Assembly (Large #).

Use items (5, 6, 7 & 8) to secure miter saw to the two Mounting Brackets (2). It may be necessary to remove the 10mm Flat Washers (8) from the two front positions if there is interference with the functioning of the saw table.

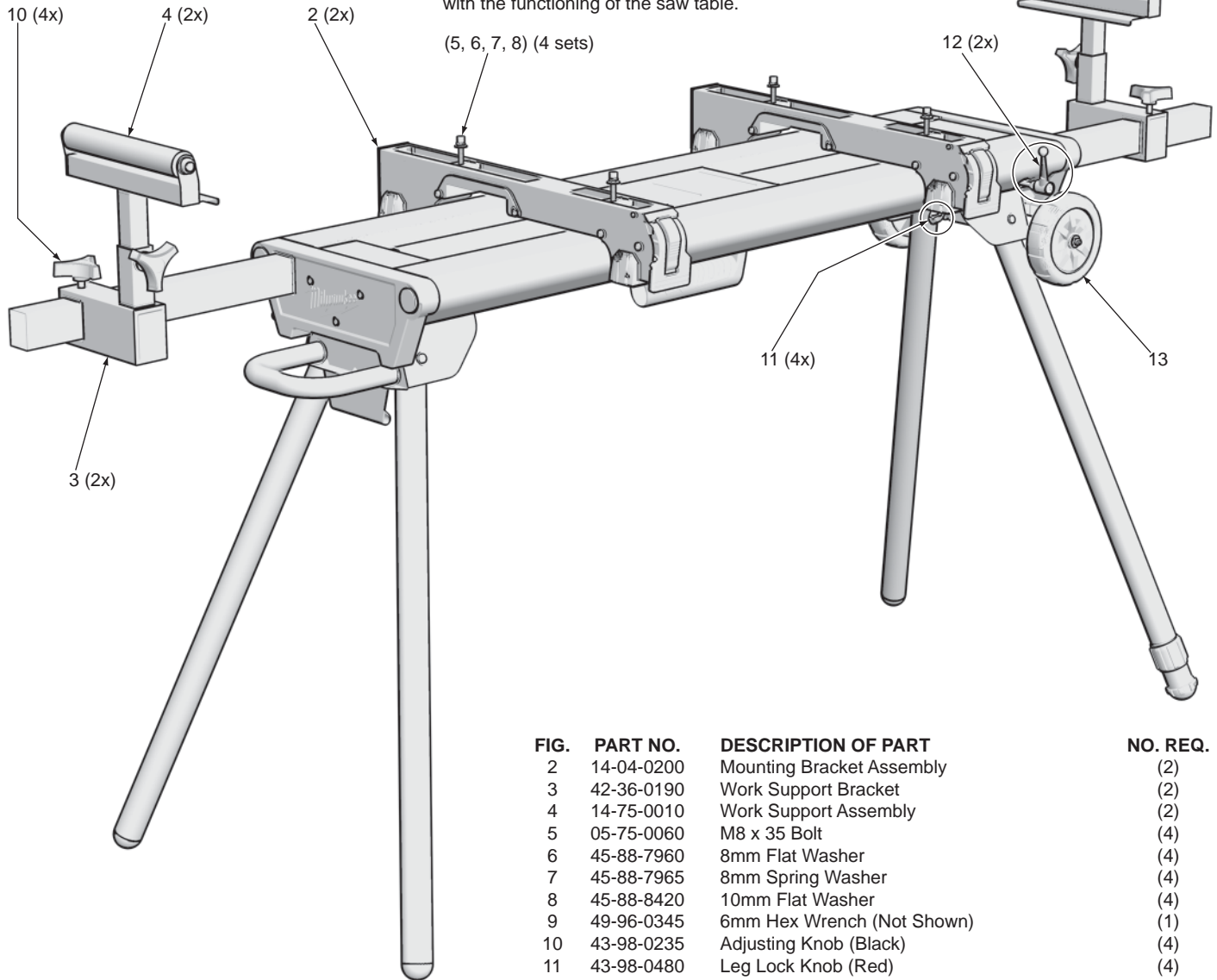


FIG.	PART NO.	DESCRIPTION OF PART	NO. REQ.
	2	14-04-0200 Mounting Bracket Assembly	(2)
	3	42-36-0190 Work Support Bracket	(2)
	4	14-75-0010 Work Support Assembly	(2)
	5	05-75-0060 M8 x 35 Bolt	(4)
	6	45-88-7960 8mm Flat Washer	(4)
	7	45-88-7965 8mm Spring Washer	(4)
	8	45-88-8420 10mm Flat Washer	(4)
	9	49-96-0345 6mm Hex Wrench (Not Shown)	(1)
	10	43-98-0235 Adjusting Knob (Black)	(4)
	11	43-98-0480 Leg Lock Knob (Red)	(4)
	12	14-34-0160 Extension Arm Locking Handle	(2)
	13	14-46-2550 Wheel/Axle Kit (Includes 2 wheels, 2 nuts, 4 washers & axle)	(1)

