

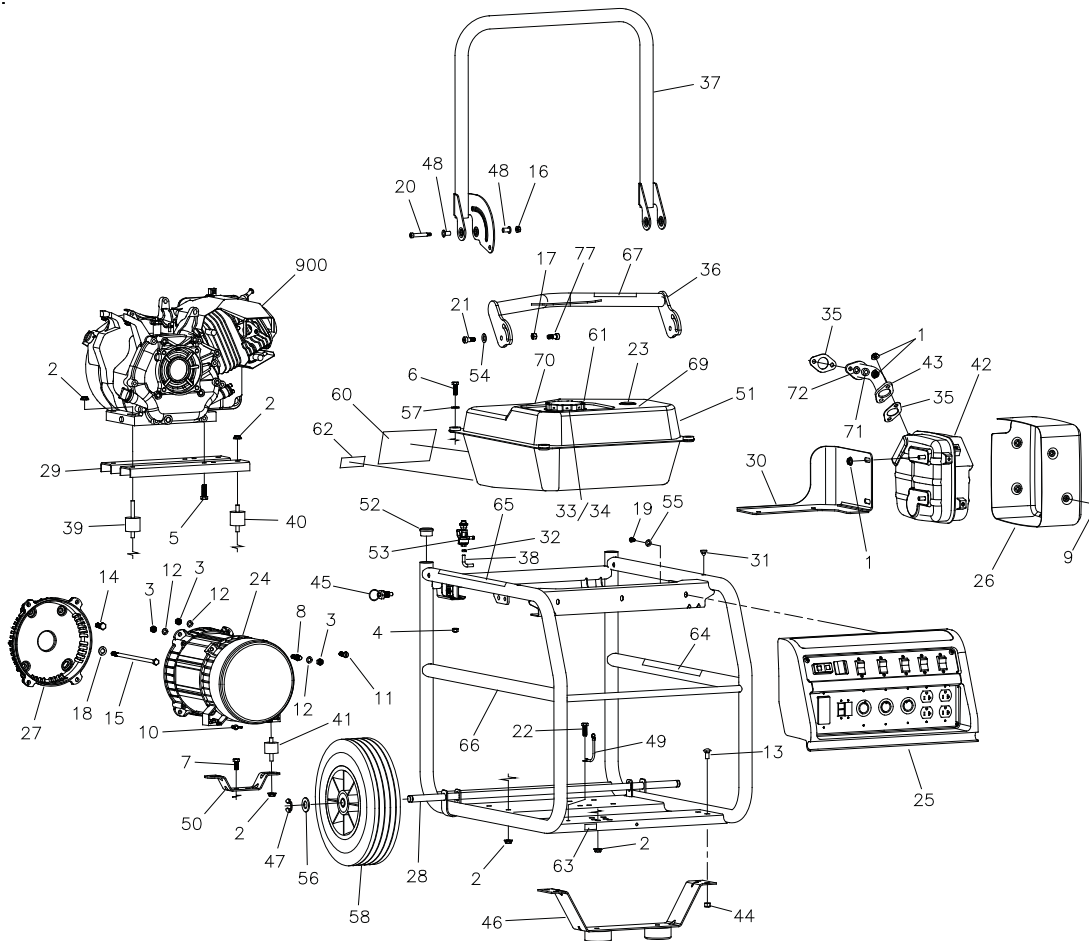


SERVICE PARTS LIST

BULLETIN NO.
54-00-4943

SPECIFY CATALOG NO. AND SERIAL NO. WHEN ORDERING PARTS		REVISED BULLETIN	DATE
4300 MAX WATTS, 3800 RATED CONTINUOUS WATTS			DEC '08
CATALOG NO.	4943-24	STARTING SERIAL NO.	REV NO. 00
		WIRING INSTRUCTION See Operator's Manual	

1 of 3 Pages



Item	Part #	Description	Item	Part #	Description
1	710090	NUT, M8 - 1.25, Flange	24	NSP	ASSY, Alternator (see alternator view)
2	67989GS	NUT, M8 - 1.25, Flange	25	206161GS	ASSY, Control Panel (see control panel view)
3	*	NUT, M8 - 1.25	26	206304GS	ENCLOSURE, Muffler
4	52858GS	NUT, M8 - 1.25, Lock	27	190220GS	ADAPTER, Engine
5	*	HHCS, M8 - 1.25 x 40	28	191267AGS	AXLE
6	*	HHCS, M8 - 1.25 x 25	29	B92531GS	BRACKET, Support
7	*	HHCS, M8 - 1.25 x 20	30	205079GS	BRACKET, Muffler
8	187117GS	STUD, M8, Double	31	B1797GS	CLIP, Tree
9	206459GS	HHS, Trilobular, 1/4 - 20 x 1/2	32	189568GS	CLAMP, Hose
10	86494GS	SCREW, M6 - 1.0 x 16 Wing	33	205409GS	CAP, Fuel
11	*	HHCS, M8 - 1.25 x 25	34	206892GS	STRAINER, Tank
12	*	LOCKWASHER, M8	35	710250X	GASKET
13	206121GS	CARRIAGE BOLT, 5/16 - 18 x .75	36	K205549GS	LIFT BAR (Includes #67)
14	190274BGS	SBHCS, 3/8 - 16 x 1	37	K205545GS	HANDLE
15	53122GS	HHCS, 5/16 - 24 x 6½	38	791745	KIT, Fuel Line (cut to fit)
16	194005GS	NUT, 1/4 - 20, Flange, Nylok	39	194783GS	MOUNT, Vibration, Engine
17	206140GS	NUT, 5/16 - 18, Lock			
18	96796GS	WASHER, 8.4 x 22.2 x 3			
19	206141GS	BHCS, 1/4 - 20 x 1/2			
20	*	SHCS, 1/4 - 20 x 2, Shoulder			
21	*	SHCS, 3/8 x 5/8, Shoulder			
22	B2153GS	SCREW, 12 - 14 x 7/8", Self Driller			
23	205441GS	GAUGE, Fuel			

Parts list continued on page 2

* - Items without part numbers are common fasteners and are available at your local hardware store.

MILWAUKEE ELECTRIC TOOL CORPORATION
13135 W. LISBON RD., BROOKFIELD, WI 53005
Drwg. 1

SERVICE PARTS LIST

**BULLETIN NO.
54-00-4943**

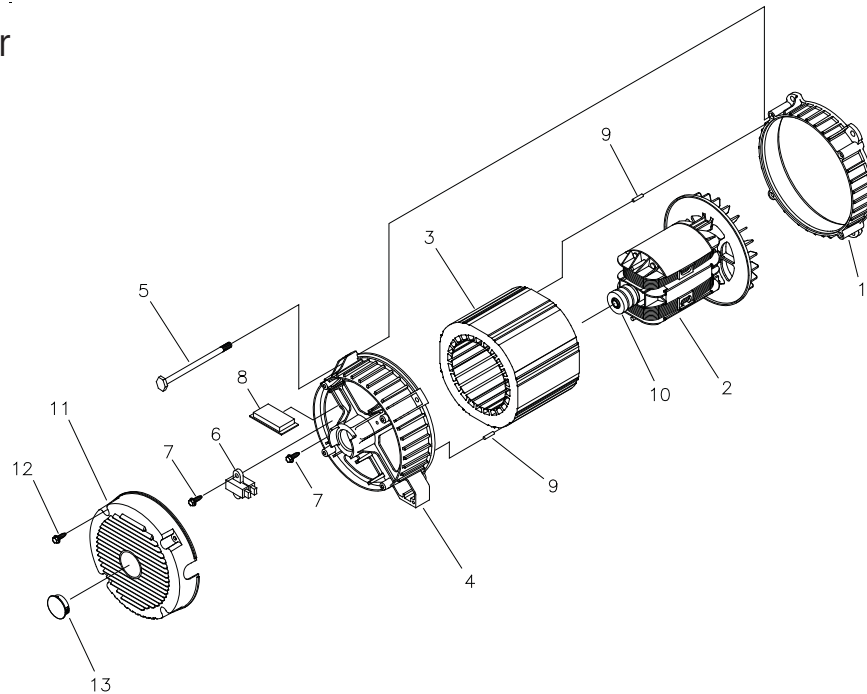


SPECIFY CATALOG NO. AND SERIAL NO. WHEN ORDERING PARTS			REVISED BULLETIN	DATE
4300 MAX WATTS, 3800 RATED CONTINUOUS WATTS				June '08
CATALOG NO.	4943-24	STARTING SERIAL NO.	REV NO. 00	
			WIRING INSTRUCTION See Operator's Manual	

2 of 3 Pages

Item	Part #	Description	Item	Part #	Description
40	194789GS	MOUNT, Vibration, Bracket	62	205972GS	DECAL, Fuel Shut Off
41	85652GS	MOUNT, Vibration, Alt	63	B4986GS	DECAL, Ground
42	206285GS	MUFFLER	64	205970GS	DECAL, Hot Engine
43	206137GS	MANIFOLD, Muffler	65	206558GS	DECAL, Pinchpoint
44	206140GS	NUT, 5/16 - 18, Lock	66	K205532GS	CRADLE, (Includes #'s 63, 64 & 65)
45	206132GS	PIVOT PIN	67	206557GS	DECAL, Lift, English/Spanish/French
46	206321GS	ASSY, Support, Leg	69	202997GS	DECAL, Co Warning
47	191265GS	E-RING	70	206203GS	DECAL, Tank, Metco
48	206134GS	SPACER, Shoulder	71	31579GS	SPACER
49	195373GS	WIRE, Ground	72	50190GS	WASHER, .34 x 1 x 10
50	K205544GS	SUPPORT, Alt	77	* (206546)	SHCS, 3/8 x 1/2, Shoulder
51	205406GS	FUEL TANK (Fuel Valve Sold Separately) (Includes #'s 23, 33, 34, 60, 61, 62, 69 & 70)	900	§ (206128)	ENGINE
52	189332GS	CAP, Tube End	Parts Not Illustrated		
53	193272GS	VALVE, Fuel Shut Off	206472GS	MANUAL, Operator's	
54	* (206548)	WASHER, 3/8 - M10, Flat	BB3061BGS	OIL BOTTLE (Qty 2 Required)	
55	71693GS	WASHER, Fender	206052GS	ARRESTOR	
56	* (22247)	WASHER, 5/8	58443GS	CRIMPTITE, 1/4 - 20 x 5/8	
57	* (22145)	WASHER, Flat, 5/16 - M8	206183GS	HARDWARE, Wheel Kit	
58	206041GS	WHEEL	* - Items without part numbers are common fasteners and are available at your local hardware store.		
60	94480GS	DECAL, Instruction, Start	§ - Contact Engine Manufacturer		
61	205971GS	DECAL, Instruction, Fuel Level			

Alternator



Item	Part #	Description	Item	Part #	Description
1	186059GS	ADAPTER, Mounting, Alternator	8	189769GS	REGULATOR
2	193034GS	ASSY, Rotor (Includes #10)	9	81917GS	PIN, Roll, 4mm x 10
3	206174GS	STATOR	10	65791GS	BEARING
4	186060GS	RBC, (with O-Ring, p/n 189197)	11	195422GS	COVER, RBC, Plastic w/Cap
5	86308GS	HHCS, M6 - 1.0 x 115 SEMS	12	191190GS	CAP
6	66386GS	ASSY, Holder, Brush	13	74908GS	TAPTITE, M5 - 0.8 x 10
7	66849GS	TAPTITE, M5 - 0.8 x 16			

SERVICE PARTS LIST

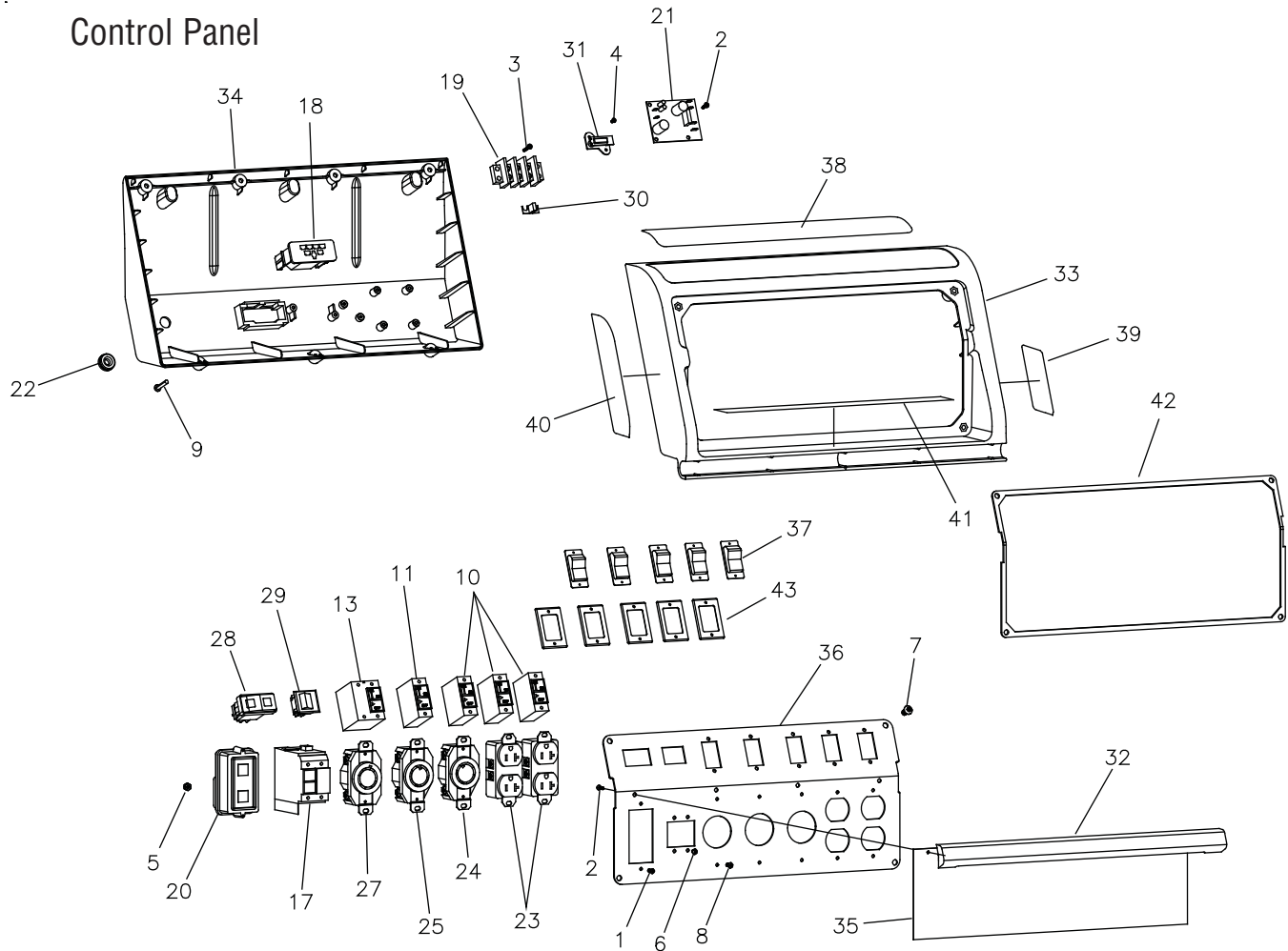
BULLETIN NO.
54-00-4943



SPECIFY CATALOG NO. AND SERIAL NO. WHEN ORDERING PARTS		REVISED BULLETIN	DATE
4300 MAX WATTS, 3800 RATED CONTINUOUS WATTS			June '08
CATALOG NO.	4943-24	STARTING SERIAL NO.	REV NO. 00
		WIRING INSTRUCTION See Operator's Manual	

3 of 3 Pages

Control Panel



Item	Part #	Description	Item	Part #	Description
1	*	SCREW, M3 x 10mm	27	68867GS	OUTLET, 120/240V, 20A
2	*	SCREW, M3, 0.5 x 12	28	206463GS	SWITCH, On/Off
3	*	SCREW, M3, 0.5 x 18	29	206462GS	SWITCH, Rocker, Auto Idle
4	*	SCREW, M3 x 6	30	193095GS	JUMPER
5	*	NUT, #6 - 32	31	84028GS	TRANSFORMER
6	*	SCREW, #6 - 32 x 3/16	32	206461GS	CURTAIN ROD
7	*	SCREW, 1/4 - 20 x 1/2"	33	206505GS	PANEL, Control, Front (Includes #'s 39, 40 & 41)
8	*	SCREW, #6 - 32 x 3/8"	34	206460GS	PANEL, Control, Back
9	*	SCREW, 8 - 16 x 1, Slotted Plastite	35	206465GS	CURTAIN
10	206473GS	BREAKER, 20A	36	206471GS	PANEL, Control
11	206469GS	BREAKER, 30A	37	206464GS	SEAL, Rubber, Breaker
13	206507GS	BREAKER, 20A - 2 Pole	38	206207GS	DECAL, Logo
17	206509GS	CIRCUIT BREAKER, 20A	39	205974GS	DECAL, Warning, Exhaust
18	201678GS	CONNECTOR	40	205975GS	DECAL, Warning
19	193427GS	TERMINAL BLOCK	41	205969GS	DECAL, Warning, English
20	206506GS	MODULE, GFCI Sensing	42	206843GS	GASKET
21	193362GS	BOARD, Idle Control	43	206844GS	SEAL, Breaker
22	38057GS	GROMMET			
23	68759GS	OUTLET, 120V, 20A, Duplex			
24	74190GS	OUTLET, 120V, 20A			
25	68868GS	OUTLET, 120V, 30A			

* - Items without part numbers are common fasteners and are available at your local hardware store.