

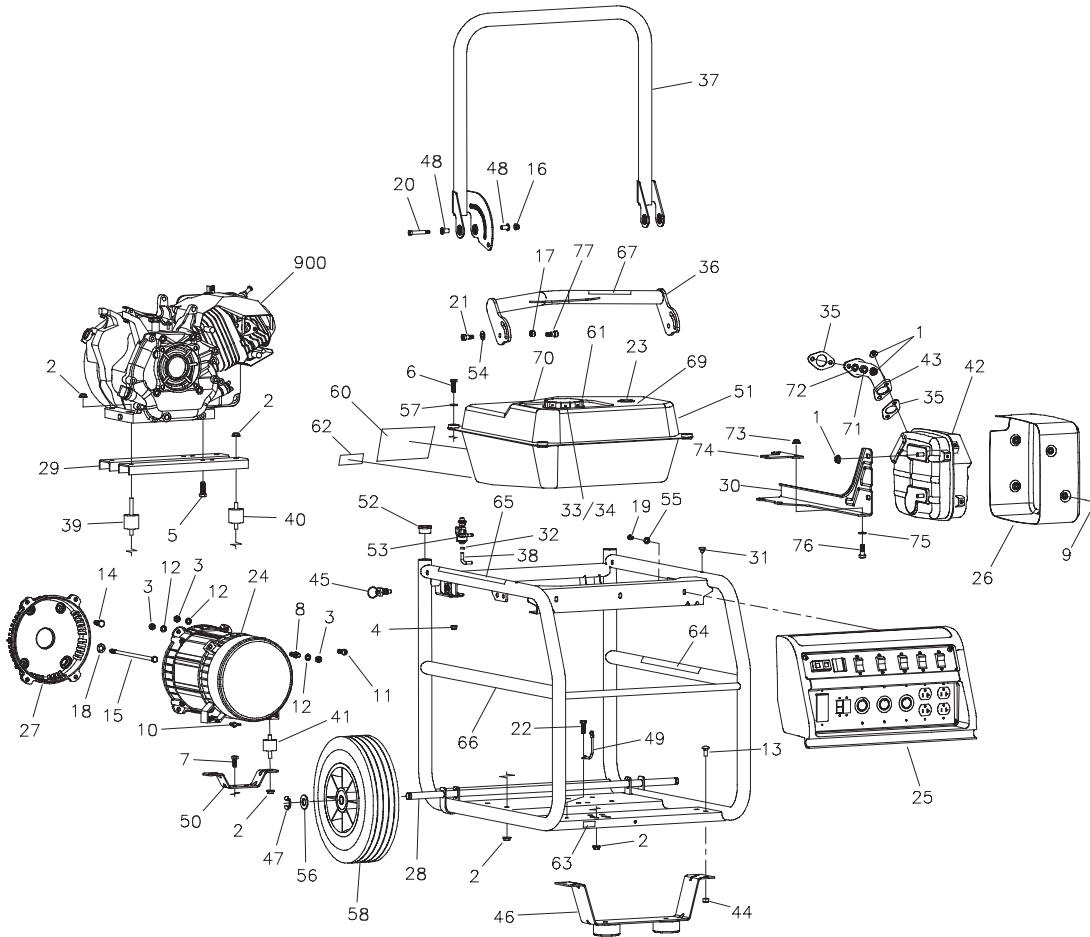


# SERVICE PARTS LIST

**BULLETIN NO.**  
**54-00-4970**

<b>SPECIFY CATALOG NO. AND SERIAL NO. WHEN ORDERING PARTS</b>		REVISED BULLETIN	DATE
<b>7000 MAX WATTS, 6500 RATED CONTINUOUS WATTS</b>			<b>Feb '08</b>
CATALOG NO.	4970-24	STARTING SERIAL NO.	REV NO. 00
		WIRING INSTRUCTION <b>See Operator's Manual</b>	

1 of 3 Pages



Item	Part #	Description	Item	Part #	Description
1	710090	NUT, M8 - 1.25, Flange	24	NSP	ASSY, Alternator (see alternator view)
2	67989GS	NUT, M8 - 1.25, Flange	25	206160GS	ASSY, Control Panel (see control panel view)
3	*	NUT, M8 - 1.25	26	206304GS	ENCLOSURE, Muffler
4	52858GS	NUT, M8 - 1.25, Lock	27	190220GS	ADAPTER, Engine
5	*	HHCS, M8 - 1.25 x 40	28	191267WGS	AXLE
6	*	HHCS, M8 - 1.25 x 25	29	B92531GS	BRACKET, Support
7	*	HHCS, M8 - 1.25 x 20	30	206124GS	BRACKET, Muffler
8	187117GS	STUD, M8, Double	31	B1797GS	CLIP, Tree
9	206459GS	HHS, Trilobular, 1/4 - 20 x 1/2	32	189568GS	CLAMP, Hose
10	86494GS	SCREW, M6 - 1.0 x 16 Wing	33	205409GS	CAP, Fuel
11	*	HHCS, M8 - 1.25 x 25	34	206892GS	STRAINER, Tank
12	*	LOCKWASHER, M8	35	710250	GASKET
13	206121GS	CARRIAGE BOLT, 5/16 - 18 x .75	36	K205549GS	LIFT BAR (Includes #67)
14	190274BGS	SBHCS, 3/8 - 16 x 1	37	K205545GS	HANDLE
15	187365BGS	HHCS, 5/16 - 24 x 8.62	38	791745	KIT, Fuel Line (cut to fit)
16	194005GS	NUT, 1/4 - 20, Flange, Nylok	39	194783GS	MOUNT, Vibration, Engine
17	206140GS	NUT, 5/16 - 18, Lock			
18	96796GS	WASHER, 8.4 x 22.2 x 3			
19	206141GS	BHCS, 1/4 - 20 x 1/2			
20	*	SHCS, 1/4 - 20 x 2, Shoulder			
21	*	SHCS, 3/8 x 5/8, Shoulder			
22	B2153GS	SCREW, 12 - 14 x 7/8", Self Driller			
23	205441GS	GAUGE, Fuel			

Parts list continued on page 2

\* - Items without part numbers are common fasteners and are available at your local hardware store.

**MILWAUKEE ELECTRIC TOOL CORPORATION**  
13135 W. LISBON RD., BROOKFIELD, WI 53005  
Drwg. 4

# SERVICE PARTS LIST

**BULLETIN NO.  
54-00-4970**



SPECIFY CATALOG NO. AND SERIAL NO. WHEN ORDERING PARTS			REVISED BULLETIN	DATE
<b>7000 MAX WATTS, 6500 RATED CONTINUOUS WATTS</b>				<b>Feb '08</b>
CATALOG NO.	4970-24	STARTING SERIAL NO.	REV NO. 00	
			WIRING INSTRUCTION <b>See Operator's Manual</b>	

2 of 3 Pages

Item	Part #	Description
40	194789GS	MOUNT, Vibration, Bracket
41	85652GS	MOUNT, Vibration, Alt
42	206285GS	MUFFLER
43	206137GS	MANIFOLD, Muffler
44	206140GS	NUT, 5/16 - 18, Lock
45	206132GS	PIVOT PIN
46	206317GS	ASSY, Support, Leg
47	191265GS	E-RING
48	206134GS	SPACER, Shoulder
49	195373GS	WIRE, Ground
50	K205544GS	SUPPORT, Alt
51	205406GS	FUEL TANK (Fuel Valve Sold Separately) (Includes #'s 23, 33, 34, 60, 61, 62, 69 & 70)
52	189332GS	CAP, Tube End
53	193272GS	VALVE, Fuel Shut Off
54	*	WASHER, 3/8 - M10, Flat
55	71693GS	WASHER, Fender
56	*	WASHER, 5/8
57	*	WASHER, Flat, 5/16 - M8
58	206040GS	WHEEL
60	94480GS	DECAL, Instruction, Start
61	205971GS	DECAL, Instruction, Fuel Level
62	205972GS	DECAL, Fuel Shut Off
63	B4986GS	DECAL, Ground

Item	Part #	Description
64	205970GS	DECAL, Hot Engine
65	206558GS	DECAL, Pinchpoint
66	K205532GS	CRADLE, (Includes #'s 63, 64 & 65)
67	206557GS	DECAL, Lift, English/Spanish/French
69	202997GS	DECAL, Co Warning
70	206203GS	DECAL, Tank, Metco
71	31579GS	SPACER
72	50190GS	WASHER, .34 x 1 x 10
73	192432GS	NUT, 1/4-20, Lock Serrated
74	206389GS	BRACKET, Support, Muffler
75	*	WASHER, M6 - 1/4, Flat
76	*	HHCS, 1/4 - 20 x 3/4
77	*	SHCS, 3/8 x 1/2, Shoulder
900	§	ENGINE

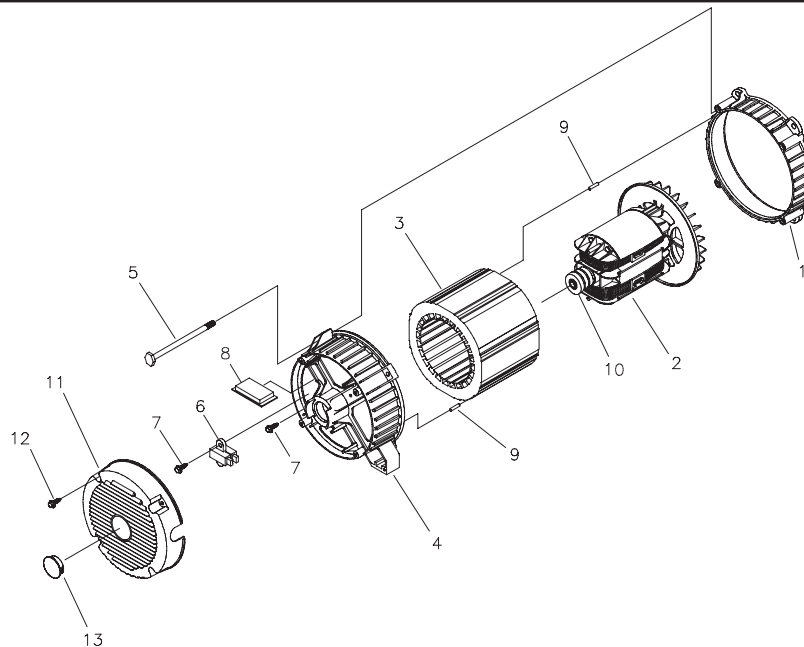
**Parts Not Illustrated**

206181GS	MANUAL, Operator's
BB3061BGS	OIL BOTTLE (Qty 2 Required)
206052GS	ARRESTOR
58443GS	CRIMPTITE, 1/4 - 20 x 5/8
206183GS	HARDWARE, Wheel Kit

\* - Items without part numbers are common fasteners and are available at your local hardware store.

§ - Contact Engine Manufacturer

## Alternator



Item	Part #	Description
1	186059GS	ADAPTER, Mounting, Alternator
2	206525GS	ASSY, ROTOR
3	206179GS	STATOR
4	186060GS	RBC, (with O-Ring, p/n 189197GS)
5	86308BGS	HHCS, M6 - 1.0 x 165 SEMS
6	66386GS	ASSY, Holder, Brush
7	66849GS	TAPTITE, M5 - 0.8 x 16

Item	Part #	Description
8	189769GS	REGULATOR
9	81917GS	PIN, Roll, 4mm x 10
10	65791GS	BEARING
11	195422GS	COVER, RBC, Plastic w/Cap
12	191190GS	CAP
13	74908GS	TAPTITE, M5 - 0.8 x 10

# SERVICE PARTS LIST

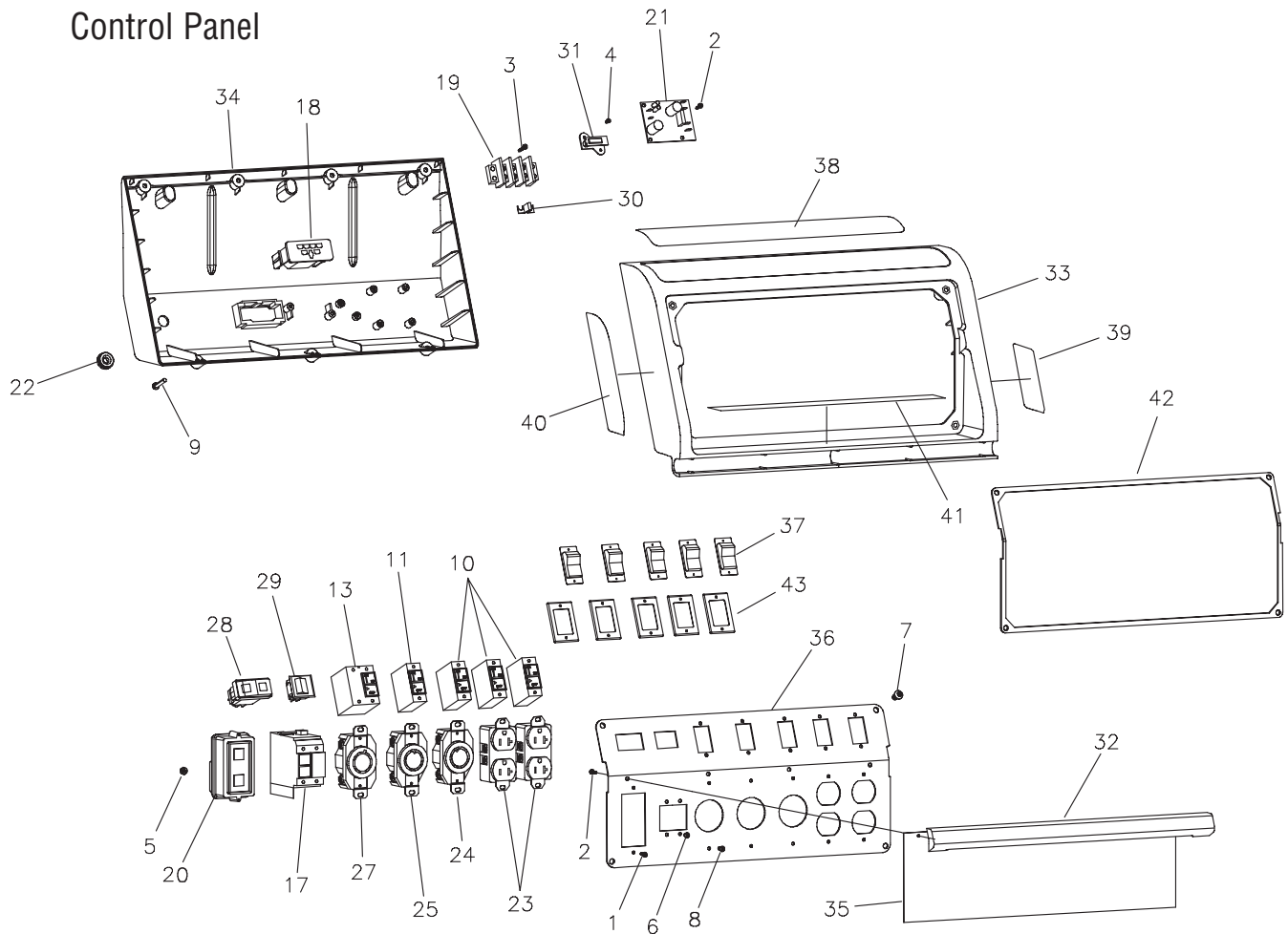
**BULLETIN NO.  
54-00-4970**



<b>SPECIFY CATALOG NO. AND SERIAL NO. WHEN ORDERING PARTS</b>		REVISED BULLETIN	DATE
<b>7000 MAX WATTS, 6500 RATED CONTINUOUS WATTS</b>			<b>Feb '08</b>
CATALOG NO.	4970-24	STARTING SERIAL NO.	REV NO. 00
		WIRING INSTRUCTION <b>See Operator's Manual</b>	

3 of 3 Pages

## Control Panel



Item	Part #	Description	Item	Part #	Description
1	*	SCREW, M3 x 10mm	27	43437GS	OUTLET, 120/240V, 30A
2	*	SCREW, M3 0.5 x 12	28	206463GS	SWITCH, On/Off
3	*	SCREW, M5 0.5 x 18	29	206462GS	SWITCH, Rocker, Auto Idle
4	*	SCREW, M3 x 6	30	193095GS	JUMPER
5	*	NUT, #6 - 32	31	84028GS	TRANSFORMER
6	*	SCREW, #6 - 32 x 3/16	32	206461GS	CURTAIN ROD
7	*	SCREW, 1/4 - 20 x 1/2"	33	206505GS	PANEL, Control, Front (Includes #'s 39, 40 & 41)
8	*	SCREW, #6 - 32 x 3/8"	34	206460GS	PANEL, Control, Back
9	*	SCREW, 8 - 16 x 1, Slotted Plastite	35	206465GS	CURTAIN
10	206473GS	BREAKER, 20A	36	206471GS	PANEL, Control
11	206469GS	BREAKER, 30A	37	206464GS	SEAL, Rubber, Breaker
13	206508GS	BREAKER, 30A - 2 Pole	38	206206GS	DECAL, Logo
17	206512GS	CIRCUIT BREAKER, 32.5A	39	205974GS	DECAL, Warning, Exhaust
18	201678GS	CONNECTOR	40	205975GS	DECAL, Warning
19	193427GS	TERMINAL BLOCK	41	205969GS	DECAL, Warning, English
20	206506GS	MODULE, GFCI Sensing	42	206843GS	GASKET
21	193362GS	BOARD, Idle Control	43	206844GS	SEAL, Breaker
22	38057GS	GROMMET			
23	68759GS	OUTLET, 120V, 20A, Duplex			
24	74190GS	OUTLET, 120V, 20A			
25	68868GS	OUTLET, 120V, 30A			

\* - Items without part numbers are common fasteners and are available at your local hardware store.