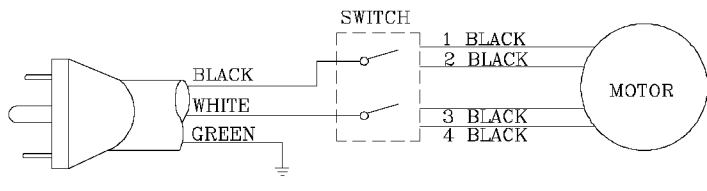
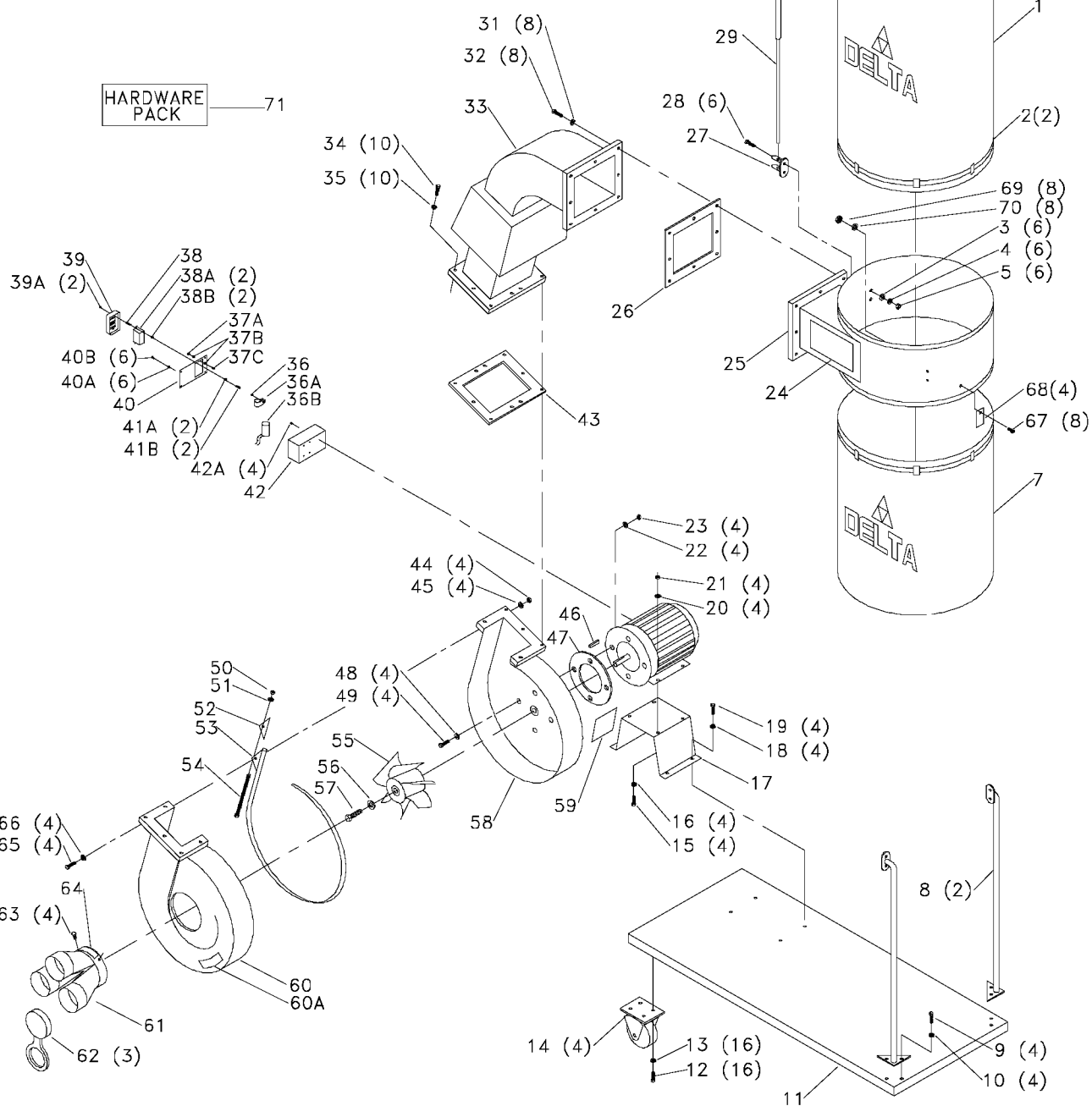


WIRING DIAGRAM



HARDWARE PACK — 71



Parts List for 50-851 Type 2

Item Number	Part Number	Description	Qty Required
1	5140042-95	1M TOP D-BAG 2HP	1
1	000000-00	No Longer Available	1
1	000000-00	No Longer Available	1
2	1346529	BANDCLAMP	2
3	904010315655	WASHER	6
4	1343390	SPRING WASHER	6
5	902010101300S	HEX NUT	6
7	906846	ACCESS. PLASTIC BAG	1
7	000000-00	No Longer Available	1
8	902198	SUPPORT	1
9	489047-00	CAP SCREW	4
10	1343390	SPRING WASHER	4
11	902199	BASE	1
12	489047-00	CAP SCREW	16
13	1343390	SPRING WASHER	16
14	1346532	CASTER	4
15	901010600648S	CAP SCREW	4
16	904010320661	WASHER	4
17	902210	MOTOR SUPPORT	1
18	1343390	SPRING WASHER	4
19	489047-00	CAP SCREW	4
20	904010320661	WASHER	4
21	902010431646	HEX NUT	4
22	904020201704S	LOCK WASHER	4
23	902010431646	HEX NUT	4
24	902805	NAMEPLATE	1
25	902211	DRUM	1

Parts List for 50-851 Type 2

Item Number	Part Number	Description	Qty Required
26	1346548	GASKET	1
27	902192	SUPPORT BRACKET	1
28	489047-00	CAP SCREW	6
29	902201	HANGER	1
30	902200	HANGER	1
31	1343390	SPRING WASHER	8
32	489047-00	CAP SCREW	8
33	902204	HOUSING	1
34	489047-00	CAP SCREW	10
35	1343390	SPRING WASHER	10
36	1340406	SCREW	1
36	1349365	CLAMP	1
36	1346550	CAPACITOR (500 UF)	1
37	901061217383	SCREW	1
37	491958-00	LOCK WASHER	1
37	902011201216	HEX NUT	1
38	402071045007S	SPACER	1
38	905224	SWITCH	2
38	902011209232	HEX NUT	2
39	1340100	SWITCH COVER ASSY	1
39	901020100567S	MACHINE SCREW	2
40	1349360	SWITCH PLATE	1
40	491958-00	LOCK WASHER	6
40	1340406	SCREW	6
41	904030301788	LOCKWASHER	2
41	901061431327	SCREW	2
42	1349364	SWITCH BOX	1

Parts List for 50-851 Type 2

Item Number	Part Number	Description	Qty Required
42	1313192	SCREW	4
43	1346538	GASKET	1
44	489026-00	HEX NUT	4
45	904020101716	LOCK WASHER	4
46	000000-00	No Longer Available	1
47	1346539	GASKET	1
48	904020201704S	LOCK WASHER	4
49	901010600648S	CAP SCREW	4
50	902010101300S	HEX NUT	1
51	1343390	SPRING WASHER	1
52	902927	LOCK	1
53	902955	CLAMP	1
54	901010603118	CAP SCREW	1
55	1346547	IMPELLER	1
56	1346546	SPECIAL WASHER	1
57	1346545	SPECIAL SCREW	1
58	902209	HOUSING	1
59	902781	LABEL	1
60	902208	HOUSING	1
60	902737	LABEL	1
61	902207	INTAKE PORT	1
62	1346521	CAP	3
63	488974-00	PAN HEAD SCREW	4
64	902713	LABEL	1
65	901010600612S	CAP SCREW	4
66	904020101716	LOCK WASHER	4
67	903596	SCREW	8

Parts List for 50-851 Type 2

Item Number	Part Number	Description	Qty Required
68	903597	RETAINING CLIP	4
69	1350284S	HEX NUT	8
70	491957-00	LOCK WASHER	8
71	902203	HARDWARE PACK	1
80	000000-00	No Longer Available	1
81	1346564	STRAIN RELIEF	1
82	1346679	MOTOR CORD (1PH)	1