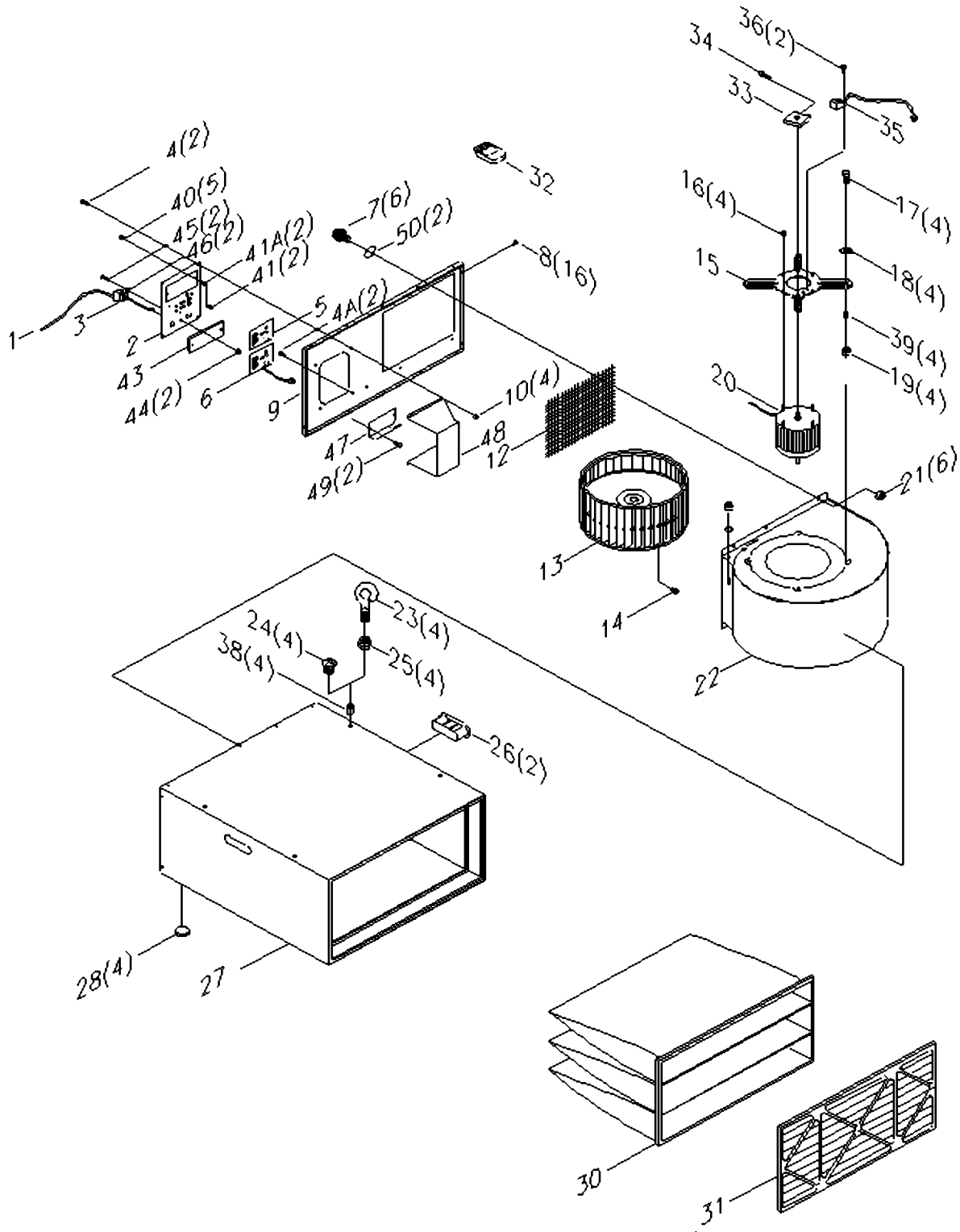


# 50-871 3 SPEED DIGITAL AMBIENT AIR CLEANER



## Parts List for 50-871 Type 1

| Item Number | Part Number | Description         | Qty Required |
|-------------|-------------|---------------------|--------------|
| 1           | DPEC001038  | POWER CORD          | 1            |
| 2           | DPEC001039  | CONTROL PANEL       | 1            |
| 3           | DPEC001040  | STRAIN RELIEF       | 1            |
| 4           | DPEC001042  | PHILLIPS HEAD SCREW | 4            |
| 5           | DPEC001043  | LED BOARD           | 1            |
| 6           | DPEC001044  | IC BOARD            | 1            |
| 7           | DPEC001045  | PAN HEAD SCREW      | 6            |
| 8           | DPEC001046  | PHILLIPS HEAD SCREW | 16           |
| 9           | DPEC001047  | FRONT COVER PANEL   | 1            |
| 10          | DPEC001048  | HEX NUT             | 4            |
| 12          | DPEC001049  | WIRE GUARD          | 1            |
| 13          | DPEC001050  | IMPELLER            | 1            |
| 14          | DPEC001051  | HEX HEAD SCREW      | 1            |
| 15          | DPEC001052  | MOTOR SUPPORT       | 1            |
| 16          | DPEC001053  | FLANGE NUT          | 4            |
| 17          | DPEC001054  | HEX SCREW           | 4            |
| 18          | DPEC001055  | FLAT WASHER         | 4            |
| 19          | DPEC001056  | ANTI-VIBRATION PAD  | 4            |
| 20          | DPEC001057  | MOTOR               | 1            |
| 21          | DPEC001058  | FLANGE NUT          | 6            |
| 22          | DPEC001059  | BLOWER HOUSING      | 1            |
| 23          | DPEC001060  | EYE BOLT            | 4            |
| 24          | DPEC001061  | PHILLIPS HEAD SCREW | 4            |
| 25          | DPEC001062  | FLANGE NUT          | 4            |
| 26          | DPEC001063  | RUBBER HANDLE       | 2            |
| 27          | DPEC001064  | MACHINE BODY CASE   | 1            |
| 28          | DPEC001065  | RUBBER FOOT PAD     | 4            |

## Parts List for 50-871 Type 1

| Item Number | Part Number | Description          | Qty Required |
|-------------|-------------|----------------------|--------------|
| 30          | DPEC001066  | FILTER BAG           | 1            |
| 31          | DPEC001067  | PLEATED FILTER       | 1            |
| 32          | DPEC001068  | REMOTE CONTROL       | 1            |
| 33          | DPEC001069  | RPM SENSOR           | 1            |
| 34          | DPEC001070  | PHILLIPS HEAD SCREW  | 1            |
| 35          | DPEC001071  | LIMIT SWITCH         | 1            |
| 36          | DPEC001072  | PHILLIPS HEAD SCREW  | 2            |
| 38          | DPEC001074  | RIVET                | 4            |
| 39          | DPEC001075  | ANTI-VIBE COVER PIPE | 4            |
| 40          | DPEC001076  | PHILLIPS HEAD SCREW  | 5            |
| 41          | DPEC001077  | HEX PLASTIC SUPPORT  | 2            |
| 41          | DPEC001078  | HEX PLASTIC SUPPORT  | 2            |
| 43          | DPEC001079  | ACRYLIC WINDOW DISP  | 1            |
| 44          | DPEC001080  | GROUNDING COPPER NUT | 2            |
| 45          | DPEC001081  | GROUNDING COPPER WR  | 1            |
| 46          | DPEC001082  | STAR WASHER          | 3            |
| 47          | DPEC001083  | ISOLATION PLATE      | 1            |
| 48          | DPEC001084  | ISOLATION PLATE      | 1            |
| 49          | DPEC001085  | PHILLIPS HEAD SCREW  | 2            |
| 50          | DPEC001098  | STAR WASHER          | 2            |