

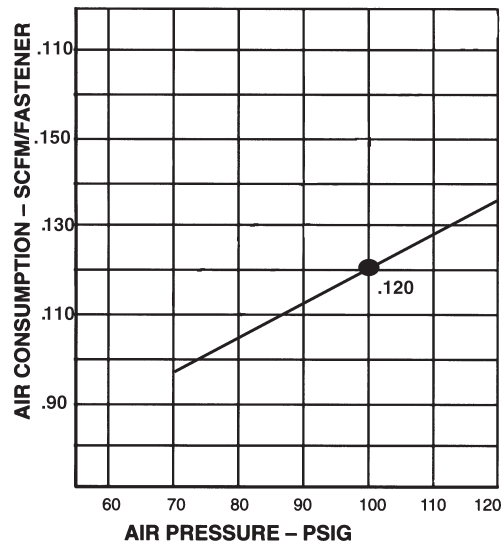
# PARTS LEGEND

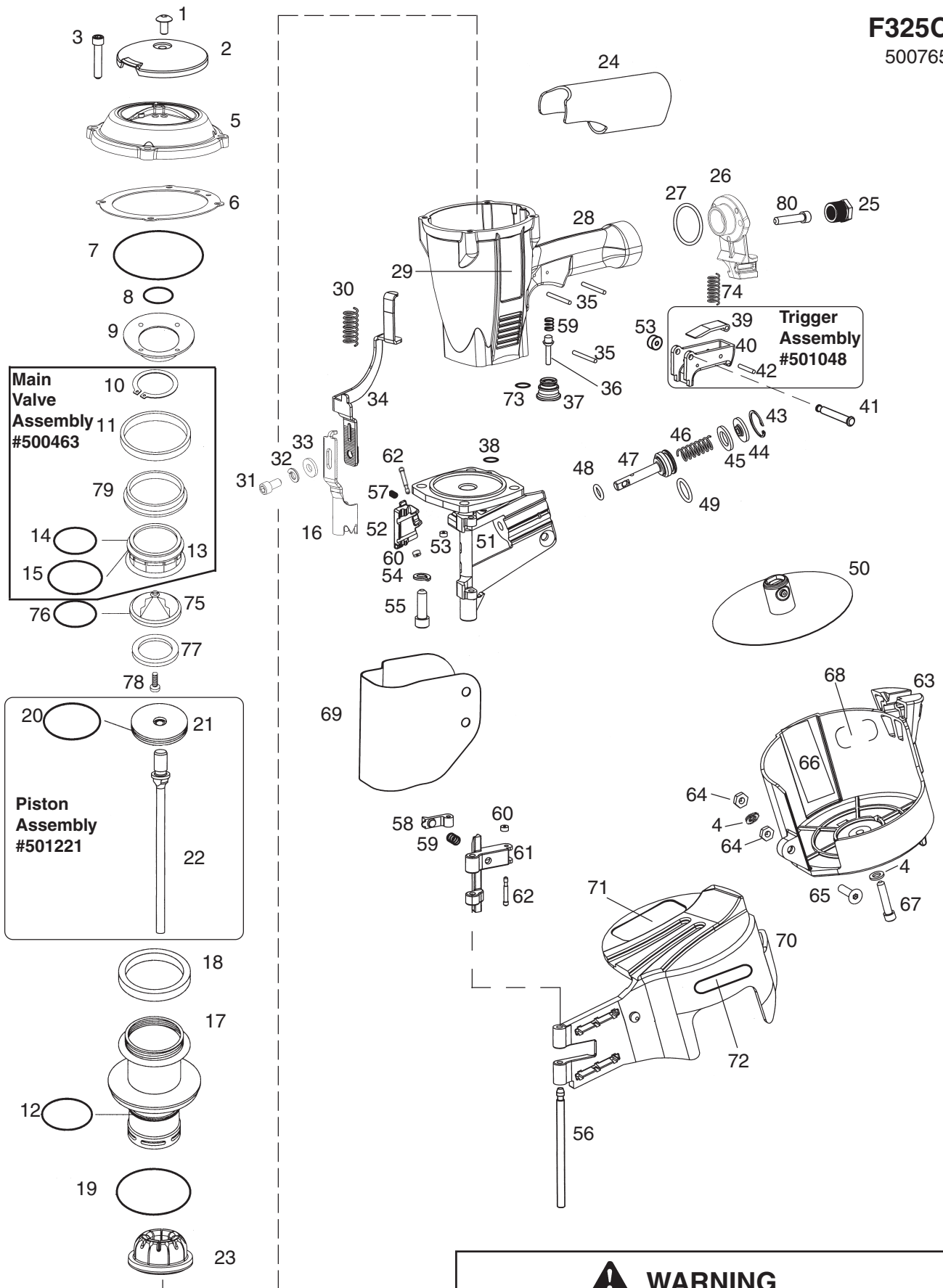
F325-C, 500765

▲1	501043	1	T.H.S.C.S. 1/4-20 x 1/2"	41	402669	1	Pin, Trigger
2	501016	1	Air Deflector	42	501009	1	Spirol Pin
3	501300	4	S.H.C.S. 1/4-20 x 1-1/4"	43	263239	1	Retaining Ring
4	092757	2	Flatwasher 1/4"	44	402018	1	End Cap, Feeder Body
5	501017	1	Cap	45	402084	1	Bumper, Feed Piston
6	501001	1	Gasket, Cap	46	402024	1	Spring, Feed Claw Piston
7	500461	1	O-Ring	47	500674	1	Feed Claw Piston
8	092042	1	O-Ring	*48	402031	1	O-Ring
9	500407	1	Spring Valve	*49	091541	1	O-Ring
10	406041	1	Retaining Ring	50	500803	1	Tray Assembly
11	500455	1	Upper Valve Piston	51	500658	1	Nose
12	092235	1	O-Ring	52	500715	1	Feed Claw
13	500456	1	Lower Valve Piston	53	402668	2	Retaining Washer
14	091208	1	O-Ring	54	095417	4	Lockwasher
15	401950	1	O-Ring	▲55	009016	4	S.H.C.S. 5/16-18 x 1"
16	500728	1	Lower W.C.E.	56	500677	1	Hinge Pin
17	501004	1	Sleeve	57	500700	1	Spring, Feed Claw
18	402011	1	Seal, Sleeve	58	402037	1	Holdback
*19	501002	1	O-Ring	59	097748	2	Spring
*20	092971	1	O-Ring	60	402486	2	Retaining Washer
21	501003	1	Piston	61	500675	1	Locator
■*22	500659	1	Driver Blade	62	402487	2	Pivot Pin
*23	500866	1	Bumper	63	500657	1	Magazine
24	501023	1	Grip	64	091733	2	Flexloc Thin Nut
25	091622	1	Reducing Pipe Bushing	65	005562	1	F.H.S.C.S. 1/4-20 x 5/8"
26	500746	1	End Cap	66	501079	1	Magazine Adjust. Label
*27	092042	1	O-Ring	67	091592	1	S.H.C.S. 1/4 x 3/4"
28	500739	1	Housing	68	500791	1	Nameplate
29	501018	2	Label, Housing	69	402662	1	Debris Shield
30	501006	1	Spring, W.C.E.	70	500678	1	Cover, Magazine
31	091618	1	S.H.C.S. 1/4 -20 x 1/2"	**71	500492	1	Warning Label
32	002187	1	Lock washer	72	501216	1	Logo, Magazine
33	501767	1	Washer	73	092174	1	O-Ring
34	500660	1	Upper W.C.E.	74	500199	1	Spring
35	071297	3	Roll Pin	75	500454	1	Post
36	097746	1	Valve Pin	76	095432	1	O-Ring
37	401958	1	Valve Body	77	500453	1	Stop Piston
*38	094295	1	O-Ring	78	402906	1	B.H.C.S. 10-32 x 5/8"
39	501008	1	Lever, Bottom Trip	79	401946	1	Seal, Main Valve
40	501010	1	Trigger	80	501299	2	S.H.C.S. 1/4-20 x 1"

- \* Denotes normal wear items
- Denotes a new change
- \*\* NOTE: Make sure Warning Label (500492) is properly affixed. Replace if necessary. Label available at no charge through Service Department.
- ▲ Apply Loctite 242 (Blue) Part No. 093500
- Apply Loctite 680 (Green) Part No. 219241

AIR CONSUMPTION CHART





**⚠ WARNING**  
All parts must be periodically inspected and replaced if worn or broken. Failure to do this can affect the tool's operation and present a safety hazard.