

PARTS LEGEND *PowerMaster Plus*TM F-350S, 501000

▲ 1	501043	1	T.H.S.C.S. 1/4 -20 x 1/2"	39	402668	1	Retaining Ring
2	501016	1	Air Deflector	40	097748	1	Spring, Valve Pin
3	501300	4	S.H.C.S. 1/4-20 x 1-1/4"	41	097746	1	Valve Pin
4	500249	1	O-Ring, Sleeve	42	071297	3	Roll Pin 1/8 x 1-1/8"
5	501017	1	Cap	*43	092174	1	O-Ring, Valve Body
*6	500461	1	O-Ring	44	401958	1	Valve Body
*7	092042	2	O-Ring	45	501039	1	Sequential Trigger
8	500407	1	Spring, Main Valve	46	501156	1	Nose 30°
*9	501001	1	Gasket, Cap	47	095417	4	Lockwasher 5/16
10	406041	1	Retaining Ring	▲48	009016	4	S.H.C.S. 5/16-18 x 1"
11	500455	1	Upper Valve Piston	49	501006	1	Spring, W.C.E.
12	401946	1	Seal, Main Valve	50	501363	1	Upper W.C.E.
*13	091208	1	O-Ring	51	404800	1	Washer, W.C.E.
*14	401950	1	O-Ring	52	500731	1	Lower W.C.E.
15	500456	1	Lower Valve Piston	53	002187	1	Lock Washer
16	500454	1	Post	54	500717	1	Nail Cover
*17	095432	1	O-Ring	55	500531	1	Follower
18	500453	1	Bumper, Post	56	501044	1	3/16 Hex Key, Long Arm
19	402906	1	B.H.S.C.S.10-32 x 5/8"	57	501024	1	End Cap, Magazine-LF
*20	092971	1	O-Ring, Piston	58	501025	1	End Cap, Magazine-RT
■*21	501218	1	Driver Blade	59	501027	1	Latch
22	402011	1	Seal Sleeve	60	501046	1	Drum Pin Assembly
23	501283	1	Sleeve	61	500513	1	Negator Assembly
*24	092235	1	O-Ring, Sleeve	62	501481	1	Nameplate
*25	501002	1	O-Ring	▲63	404904	2	Screw 1/4-28 x 5/8"
*26	500866	1	Bumper	64	500509	1	Front Bracket
27	501286	1	Housing	65	501028	1	Spring, Latch
28	500779	1	Flange, Sleeve	66	501026	1	S.H.C.S. 8-32 x 2"
29	501333	1	Label, Housing-Left	67	066840	1	S.H.C.S. 8-32 x 3/4"
	501334	1	Label, Housing -Right	68	404414	2	Flatwasher #8
30	501219	1	End Cap, Housing	69	404325	2	Stop Nut
31	500516	1	B.H.S.C.S. - Special	70	500520	2	Wear Strip
→ 32	501608	1	Pin	**71	500458	1	Warning Label
33	500525	1	Locknut, 5/16-24	72	501055	1	Logo Label
34	091622	1	Reducing Pipe Bushing	73	501347	1	Rafter Hook Assembly
35	501010	1	Bump Trigger	74	500729	1	Blade Seal
36	402669	1	Pin, Trigger	75	501337	1	Piston
37	501009	1	Spirol Pin	76	091618	1	S.H.C.S. 1/4-20 x 1/2"
38	501008	1	Lever, Bottom Trip	77	501299	2	S.H.C.S. 1/4-20 x 1"
				78	501479	1	Spring

* Denotes Normal Wear Items

** Make sure Warning Label (Part No. 500458) is properly affixed. Replace if necessary. Label available at no charge through the Service Department.

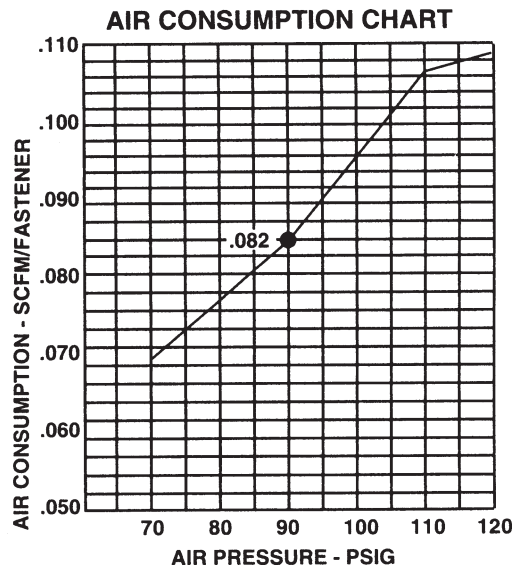
▲ Apply Loctite 242 (Blue) Part No. 093500

■ Apply Loctite Green Part No. 401491

→ Denotes New Change

WARNING

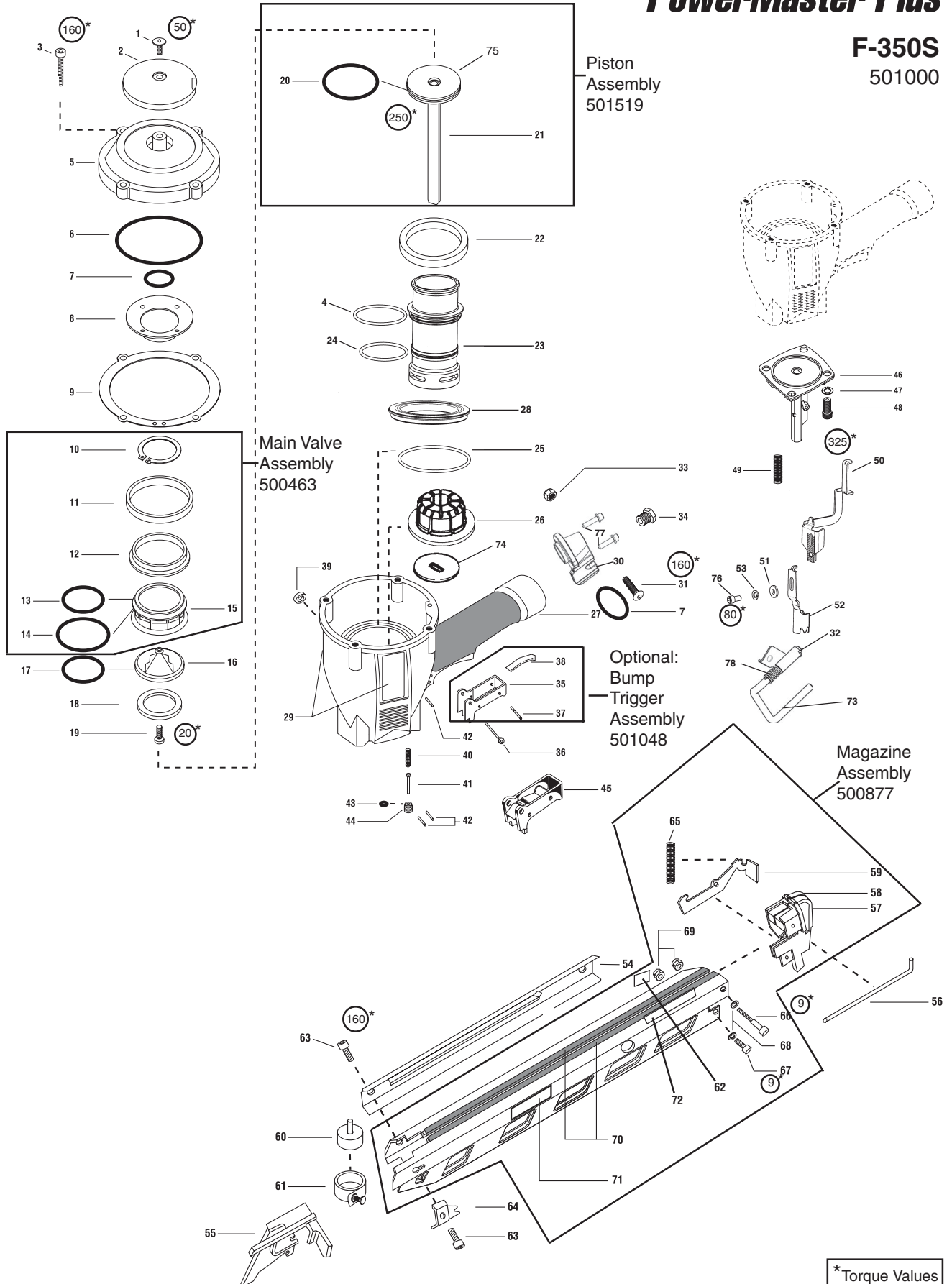
All parts must be periodically inspected and replaced if worn or broken. Failure to do this can affect the tool's operation and present a safety hazard.



Note: For optimum performance Paslode recommends the use of a 3/8" Male fitting.

PowerMaster Plus™

F-350S
501000



*Torque Values
IN/LBS