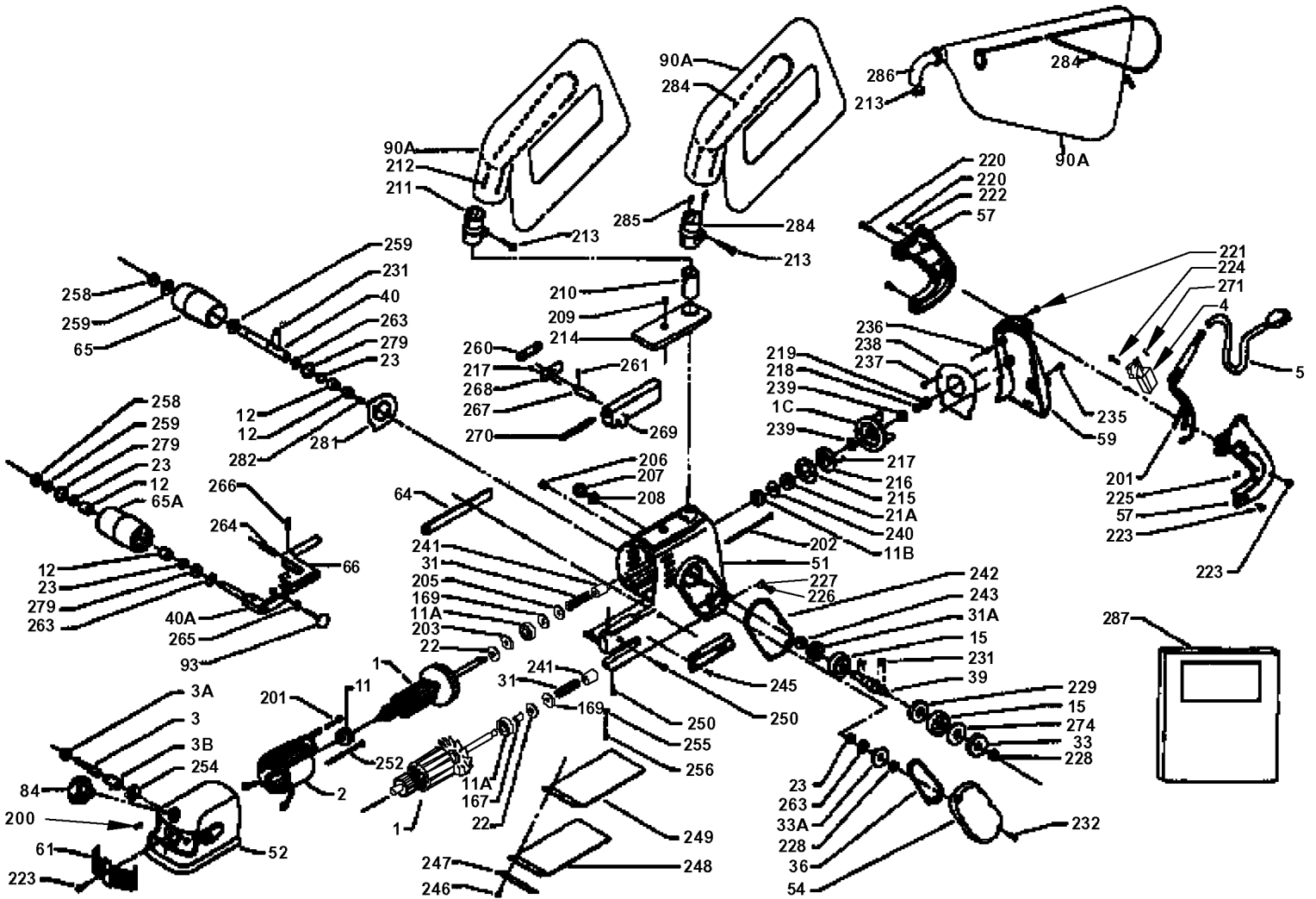


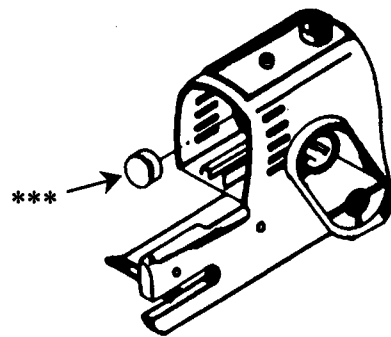
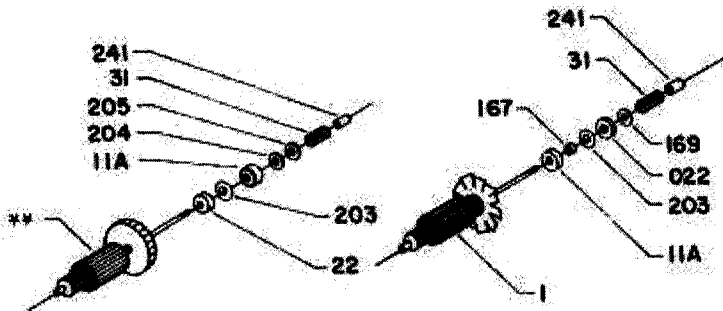
PORTER-CABLE BELT SANDER

WARNING: Electrical repairs should only be attempted by trained repairmen. Contact the nearest Porter-Cable Service Center or other competent repair center.



MOVE FROM EARLY MODEL

ADD TO CURRENT MODEL



*** #863624 Sleeve reduces seal bore in frame #841033 to accept new seal. Press sleeve to stop in bearing bore of frame.

Parts List for 503 Type 2

Item Number	Part Number	Description	Qty Required
1	863225	ARMATURE 115V	1
1	000000-00	No Longer Available	1
2	860980	FIELD 115V	1
3	N031652	BRUSH	2
3	803483	BRUSH CAP	2
3	873497	BRUSH HOLDER	2
4	801851	SWITCH	1
5	875863	CORD	1
11	803876SV	BEARING	1
11	803847SV	BEARING	1
11	879010	BEARING	1
11	000000-00	No Longer Available	1
12	804211	BEARING,NEEDLE	1
15	838028SV	BEARING	1
21	802420	SEAL	1
22	861660	SEAL	1
22	841133	OIL SEAL	1
23	801852	SEAL	1
31	803614	WORM	1
31	D803626	GEAR WORM	1
33	802274	SPROCKET	1
33	802382	SPROCKET	1
36	801291	CHAIN	1
39	801580	JACKSHAFT	1
40	801777	SHAFT	1
40	804531	SHAFT & LEVER	1
51	841033	FRAME ASSY	1

Parts List for 503 Type 2

Item Number	Part Number	Description	Qty Required
52	865253	MOTOR HSG	1
54	000000-00	No Longer Available	1
57	855532	HANDLE	1
59	000000-00	No Longer Available	1
61	865254	GRID	1
64	802185	GUIDE	1
65	804407	PULLEY	1
65	804247	IDLER PULLEY	1
66	690680	ARM	1
84	839279	KNOB	1
90	692639	DUST BAG	1
93	876108	ADJ SCREW	1
167	859511	COLLAR	1
169	848624	WASHER	10
200	843081	SCREW	10
201	849314	TERM	1
202	801845	BOLT	10
203	000000-00	No Longer Available	1
205	000000-00	No Longer Available	1
206	804485	PLUG	1
207	801686	PLUG	1
208	000000-00	No Longer Available	1
209	886538	SCREW	10
213	839330	SPRING ELBOW RE	1
214	000000-00	No Longer Available	1
215	803190	GASKET	1
216	803419	RETAINER	1

Parts List for 503 Type 2

Item Number	Part Number	Description	Qty Required
217	803157	SCREW	10
218	801821	WASHER	10
219	802969	NUT	10
220	802764	SCREW	10
221	802422	SCREW	10
222	802695	SCREW	10
223	857516	SCREW	10
224	882187	SCREW	1
225	844107	SCREW	10
226	882187	SCREW	10
227	802995	WASHER	10
228	804301	NUT	1
229	692015	SEAL	1
231	878563	KEY	1
232	878262	SCREW	10
235	803685	SCREW	10
236	000000-00	No Longer Available	1
237	847048	SCREW	10
238	801479	BAFFLE	1
239	804454	WASHER	10
240	804241	SPRING	1
241	803380	SPACER	1
242	802046	GASKET	1
243	802705	NUT	10
245	801374	SCREW	10
246	876384	SCREW	10
247	908910	SHOE ASSY	1

Parts List for 503 Type 2

Item Number	Part Number	Description	Qty Required
248	908908	SHOE ASSY	1
249	839040	CORK COVERING	1
250	803337	SCREW	10
252	863393	SCREW	10
253	802430	LOCKWASHER	1
254	803496	WASHER	10
255	000000-00	No Longer Available	10
256	802350	SCREW	10
258	823254	NUT	10
259	803341	WASHER	10
260	839093	LEVER	1
261	694303	PIN	1
263	803317	WASHER	10
264	690671	SPRING	1
265	804415	WASHER	10
266	802433	PIN	1
267	D839052	PINION	1
268	839053	PLATE	1
269	000000-00	No Longer Available	1
270	690670	SPRING	1
271	694010	SCREW	10
274	000000-00	No Longer Available	1
279	803365	CAP	1
281	825615	WEAR PLATE	1
282	882232	SCREW	10
284	877967	BAG SUPPORT	1
285	000000-00	No Longer Available	1

Parts List for 503 Type 2

Item Number	Part Number	Description	Qty Required
286	882671	ELBOW/SUPPORT KIT	1
287	867344	HARDWARE KIT	1
800	801945	TUBE GREASE	1
800	803442	TUBE OIL	1
800	803443	LUBE	1
800	801946	LUBE	1
856	839686	WASHER	2
856	845083	TERMINAL	1
856	000000-00	No Longer Available	1
856	804217	WINDOW	1
856	803104	LEAD	1
856	804314	GASKET	1
856	801423	SLEEVE	1
856	859090	PLATE	1