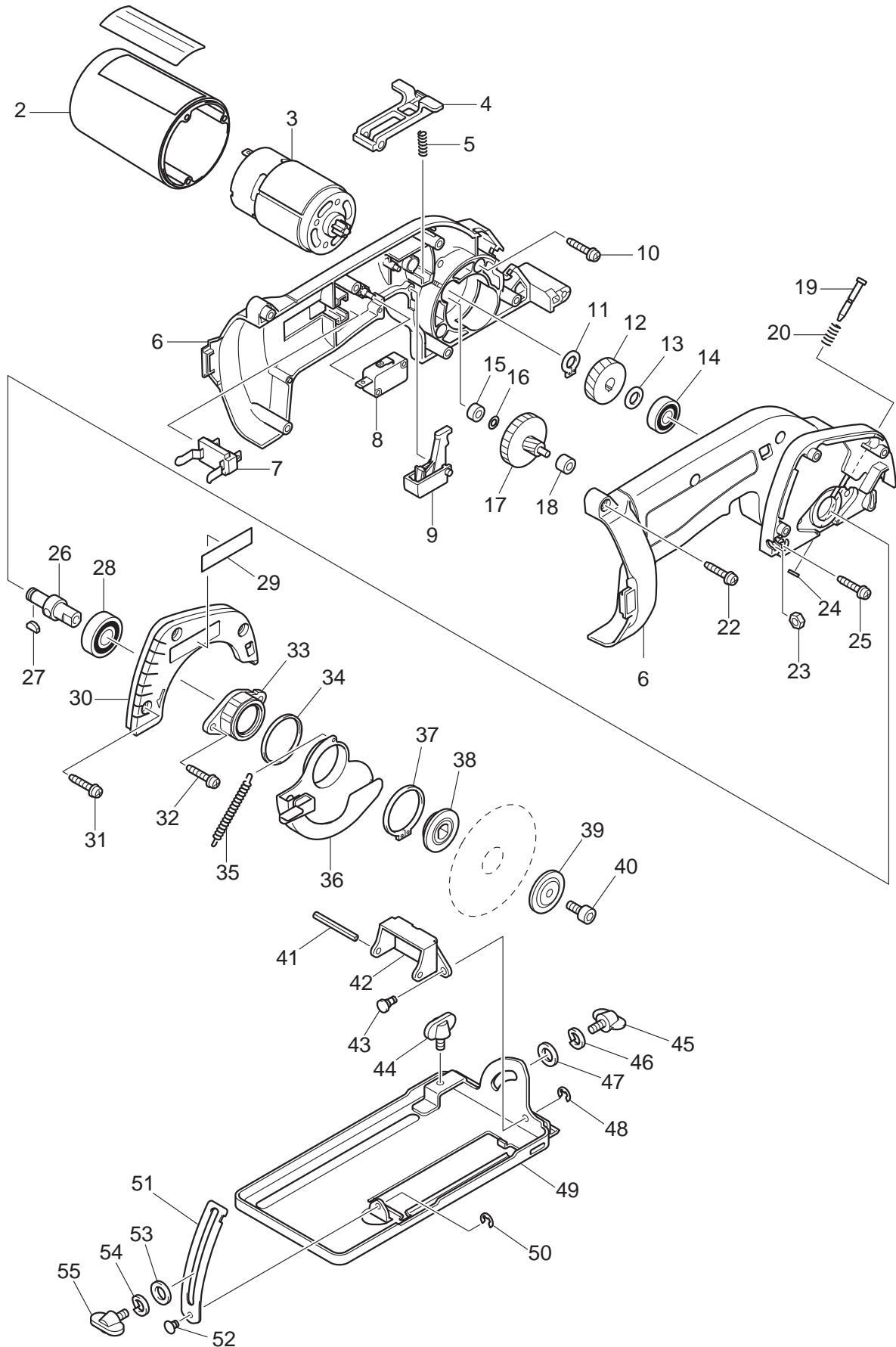




02 - 2010  
5094DWD  
14.4V 3-3/8" CIRCULAR SAW KIT



Item No.	Type	Sub	Part No.	Description	Qty	Unit
2			416142-4	MOTOR HOUSING	1	PC.
3			629737-6	DC MOTOR	1	PC.
		INC.	221882-9	SPUR GEAR 15	1	PC.
4			415680-3	LOCK OFF LEVER	1	PC.
5			233024-3	COMPRESSION SPRING 4	1	PC.
6			183102-8	HOUSING SET	1	PC.
7			643909-9	BATTERY HOLDER	1	PC.
8			651891-8	SWITCH V-15-3A6	1	PC.
9			415679-8	SWITCH LEVER	1	PC.
10			265995-6	TAPPING SCREW 4X18	3	PC.
11			961004-6	RETAINING RING S-8	1	PC.
12			226448-0	HELICAL GEAR 33	1	PC.
13			253215-0	FLAT WASHER 8	1	PC.
14			211033-2	BALL BEARING 608LB	1	PC.
15			214019-5	PLANE BEARING 4	1	PC.
16			253307-5	THIN WASHER 4	1	PC.
17			226819-1	GEAR COMPLETE 8-68	1	PC.
18			214027-6	PLANE BEARING 4	1	PC.
19			268002-4	PIN 5	1	PC.
20			231240-1	COMPRESSION SPRING 7	1	PC.
22			265995-6	TAPPING SCREW 4X18	4	PC.
23			931202-6	HEX. NUT M5	1	PC.
24			961011-9	STOP RING E-4	1	PC.
25			265995-6	TAPPING SCREW 4X18	1	PC.
26			322810-8	SPINDLE	1	PC.
27			254031-3	WOODRUFF KEY 3	1	PC.
28			211061-7	BALL BEARING 6000LLB	1	PC.
29			819080-3	MAKITA LABEL	1	PC.
30			415678-0	BLADE CASE	1	PC.
31			265995-6	TAPPING SCREW 4X18	3	PC.
32			265995-6	TAPPING SCREW 4X18	2	PC.
33			415677-2	BEARING BOX	1	PC.
34			267134-4	FLAT WASHER 30	1	PC.
35			231802-5	TENSION SPRING	1	PC.
36			165116-9	SAFETY COVER	1	PC.
37			961128-8	RETAINING RING S-28	1	PC.
38			224324-2	INNER FLANGE 28	1	PC.
39			224177-9	OUTER FLANGE 28	1	PC.
40			922212-4	HEX. SOCKET HEAD BOLT M5X12	1	PC.
41			951134-1	SPRING PIN 4-45	1	PC.
42			344594-8	ANGULAR GUIDE	1	PC.
43			268028-6	PIN 5	1	PC.
44			265756-4	THUMB SCREW M5X10 (OLD# 251899-8)	1	PC.
45			265756-4	THUMB SCREW M5X10 (OLD# 251899-8)	1	PC.
46			942101-7	SPRING WASHER 5	1	PC.
47			941101-4	FLAT WASHER 5	1	PC.
48			961017-7	STOP RING E-3	1	PC.
49			168317-8	BASE	1	PC.
50			961017-7	STOP RING E-3	1	PC.
51			344592-2	DEPTH GUIDE	1	PC.
52			268004-0	PIN 4	1	PC.
53			941101-4	FLAT WASHER 5	1	PC.
54			942101-7	SPRING WASHER 5	1	PC.
55			265756-4	THUMB SCREW M5X10 (OLD# 251899-8)	1	PC.
56			655000-B	PLUG FOR CIGARETTE LIGHTER	1	PC.
100			654086-2	RECEPTACLE	2	PC.

<u>Item No.</u>	<u>Type</u>	<u>Sub</u>	<u>Part No.</u>	<u>Description</u>	<u>Qty</u>	<u>Unit</u>
<b><u>ACCESSORIES</u></b>						
A01			783202-0	HEX. WRENCH 4	1	PC.
A02			414938-7	BATTERY COVER	1	PC.
A03			164095-8	GUIDE RULE	1	PC.
A04			792623-5	3-3/8" C.T. SAW BLADE	1	PC.
A05			824532-1	PLASTIC CARRYING CASE	1	PC.
A06			193158-3	14.4V Ni-MH BATTERY 1434	1	PC.
A07			DC1414	CHARGER DC1414	1	PC.
A08	Opt.		343579-1	SET PLATE	1	PC.