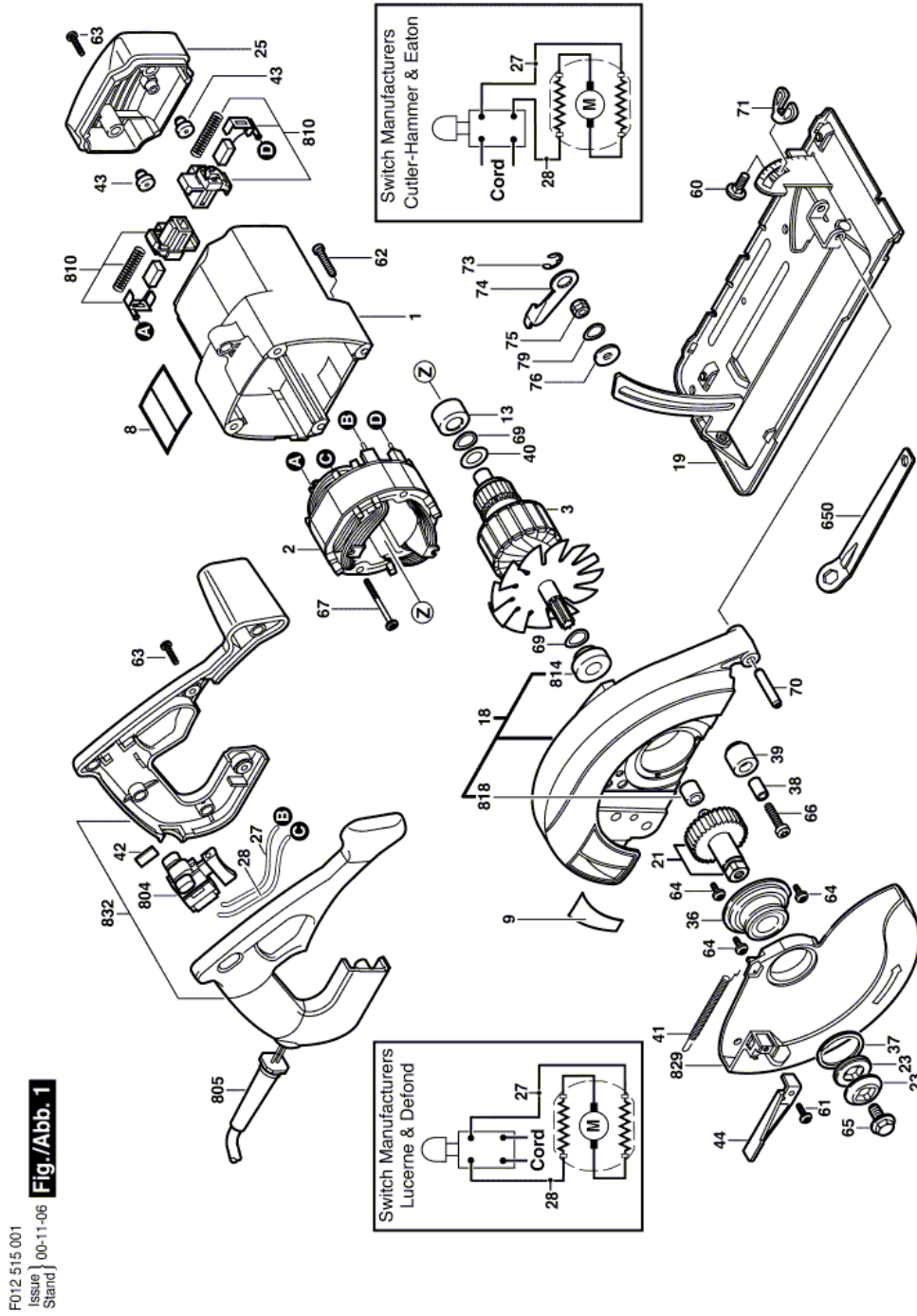


## Circular hand saw - F 012 517 001 - 5170

Item	Part Number	Description	Illustration	Price	Quantity	Price Group
1	2 610 904 250	Motor Housing	1	-,-	1	24
2	2 610 341 367	Field 120V	1	-,-	1	35
3	2 610 341 306	Armature 120V	1	-,-	1	40
8	2 610 914 218	Nameplate	1	-,-	1	-
9	2 610 914 214	Reference Plate	1	-,-	1	-
13	2 610 921 176	Spare Part	1	-,-	1	20
18	2 610 997 772	Front Housing	1	-,-	1	-
19	2 610 341 374	Guide Piece	1	-,-	1	-
21	2 610 997 776	Pinion Shaft	1	-,-	1	23
23	2 610 341 361	Supporting Disc	1	-,-	2	14
25	2 610 341 255	Sealing cap	1	-,-	1	15
27	2 610 341 377	Connecting Cable 385 MM	1	-,-	1	13
28	2 610 341 378	Connecting Cable 270 MM	1	-,-	1	13
36	1 619 X01 554	Bearing Plate	1	-,-	1	24
37	2 610 341 359	Spring retaining ring	1	-,-	1	12
38	2 610 341 366	Spacer	1	-,-	1	14
39	2 610 341 394	End stop	1	-,-	1	12
40	2 610 341 465	Washer	1	-,-	1	12
41	2 610 347 486	Extension Spring	1	-,-	1	14
42	2 610 347 892	Spacer	1	-,-	1	15
43	2 610 350 655	Rubber Buffer	1	-,-	2	11
44	2 610 351 898	Lever	1	-,-	1	22
60	2 610 017 262	Round-Head Bolt	1	-,-	1	12
61	2 610 328 924	Screw	1	-,-	1	14
62	2 610 341 335	Screw	1	-,-	4	12
63	1 619 P01 505	Screw	1	-,-	8	10
64	1 619 X01 786	Contact Screw	1	-,-	3	10
65	1 619 X00 935	Hex Screw	1	-,-	1	10
66	2 610 347 100	Screw	1	-,-	1	12
67	2 610 347 103	Screw	1	-,-	2	12
69	2 610 313 808	Plain Washer	1	-,-	1	12
70	2 610 341 332	Coiled Spring Pin	1	-,-	1	12
71	2 610 029 562	Wing Nut	1	-,-	1	12

Item	Part Number	Description	Illustration	Price	Quantity	Price Group
73	2 610 341 354	Spring retaining ring	1	-,-	1	12
74	2 610 901 987	Lever	1	-,-	1	13
75	2 610 901 988	Round Nut	1	-,-	1	11
76	1 619 P01 535	Washer	1	-,-	1	11
79	2 610 069 183	Spring Washer	1	-,-	1	12
650	2 610 341 299	Box Wrench	1	-,-	1	22
804	2 610 347 481	On-Off Switch	1	-,-	1	22
805	2 610 357 066	Power supply cord	1	-,-	1	29
810	2 610 993 156	Carbon-Brush Set	1	-,-	1	21
814	2 610 356 680	Bearing Sleeve	1	-,-	1	19
818	2 610 997 773	Bearing	1	-,-	1	10
829	2 610 341 268	Pivoting Blade Guard	1	-,-	1	32
832	2 610 904 887	Handle	1	-,-	1	21

Illustration - Type E



Information subject to change without further notice.