



SERVICE PARTS LIST

BULLETIN NO.
54-22-1190

SPECIFY CATALOG NO. AND SERIAL NO. WHEN ORDERING PARTS		REVISED BULLETIN	DATE
5" STRAIGHT GRINDER			Feb. '84
CATALOG NO. 5223	STARTING SERIAL NO. 584-1001	WIRING INSTRUCTION 58-01-0301	
CAT. NO.	START SER. NO.	BILINGUAL LABEL	

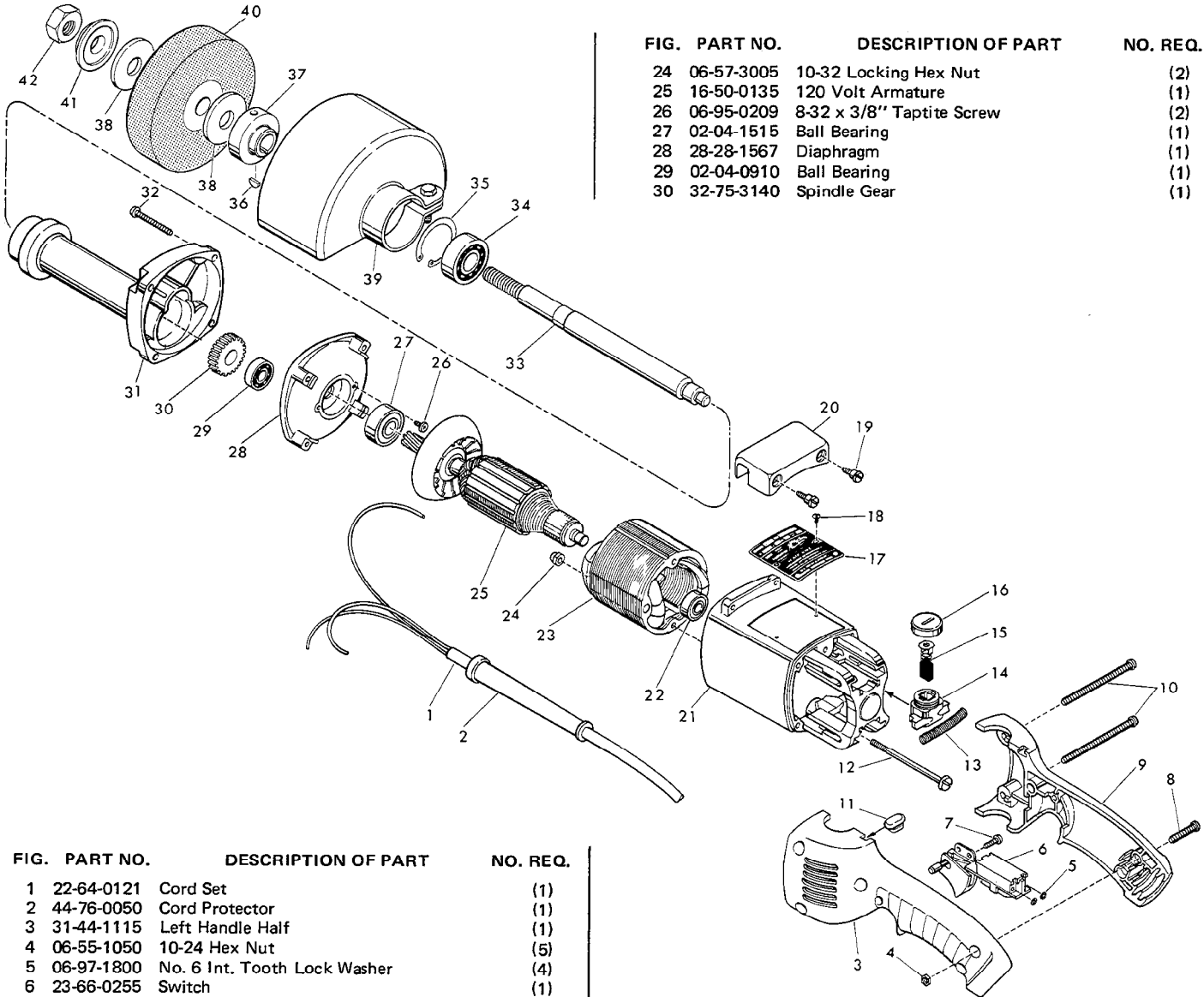


FIG.	PART NO.	DESCRIPTION OF PART	NO. REQ.
	24	06-57-3005 10-32 Locking Hex Nut	(2)
	25	16-50-0135 120 Volt Armature	(1)
	26	06-95-0209 8-32 x 3/8" Taptite Screw	(2)
	27	02-04-1515 Ball Bearing	(1)
	28	28-28-1567 Diaphragm	(1)
	29	02-04-0910 Ball Bearing	(1)
	30	32-75-3140 Spindle Gear	(1)

FIG.	PART NO.	DESCRIPTION OF PART	NO. REQ.
	1	22-64-0121 Cord Set	(1)
	2	44-76-0050 Cord Protector	(1)
	3	31-44-1115 Left Handle Half	(1)
	4	06-55-1050 10-24 Hex Nut	(5)
	5	06-97-1800 No. 6 Int. Tooth Lock Washer	(4)
	6	23-66-0255 Switch	(1)
	7	06-95-0205 8-16 x 1/2 Pan Hd. Thread Form Screw	(1)
	8	06-81-4206 10-24 x 7/8" Pos. Pan Hd. Screw	(3)
	9	31-44-1110 Right Handle Half	(1)
	10	06-81-5775 10-24 x 2-3/4" Pos. Pan Hd. Screw	(2)
	11	42-38-0190 Bumper	(1)
	12	06-81-7480 10-32 x 2-3/4" Flat Hd. Screw	(2)
	13	40-50-7770 Brush Holder Spring	(2)
	14	22-22-1325 Brush Holder Assembly	(2)
	15	22-18-0680 Carbon Brush Assembly	(2)
	16	23-44-0210 Brush Retaining Screw	(2)
	17	12-99-0301 Nameplate Blank	(1)
	18	06-85-0200 Nameplate Screw	(2)
	19	45-04-0570 Shoulder Screw	(2)
	20	31-70-0125 Tool Rest	(1)
	21	31-50-0250 Motor Housing	(1)
	22	02-04-0845 Ball Bearing	(1)
	23	18-50-0135 120 Volt Field	(1)

	31	28-50-6196 Spindle Housing	(1)
	32	06-95-0365 10-14 x 1-3/8" Pan Hd. Thread Form Screw	(4)
	33	38-50-5340 Spindle Shaft	(1)
	34	02-04-1746 Ball Bearing	(1)
	35	34-80-2960 Internal Retaining Ring	(1)
	36	06-42-1200 Woodruff Key	(1)
	37	43-34-0191 Inner Wheel Flange	(1)
	38	45-88-0165 Rubber Washer	(2)
	39	49-12-0290 Wheel Guard	(1)
	40	---	5" Grinding Wheel (Select From Catalog)
	41	43-34-0192 Outer Wheel Flange	(1)
	42	06-55-3250 5/8 - 11 Hex Nut	(1)
	43	49-96-4072 1-1/16" Open End Wrench (Not Shown)	(1)
	44	49-96-6600 Spanner Wrench (Not Shown)	(1)