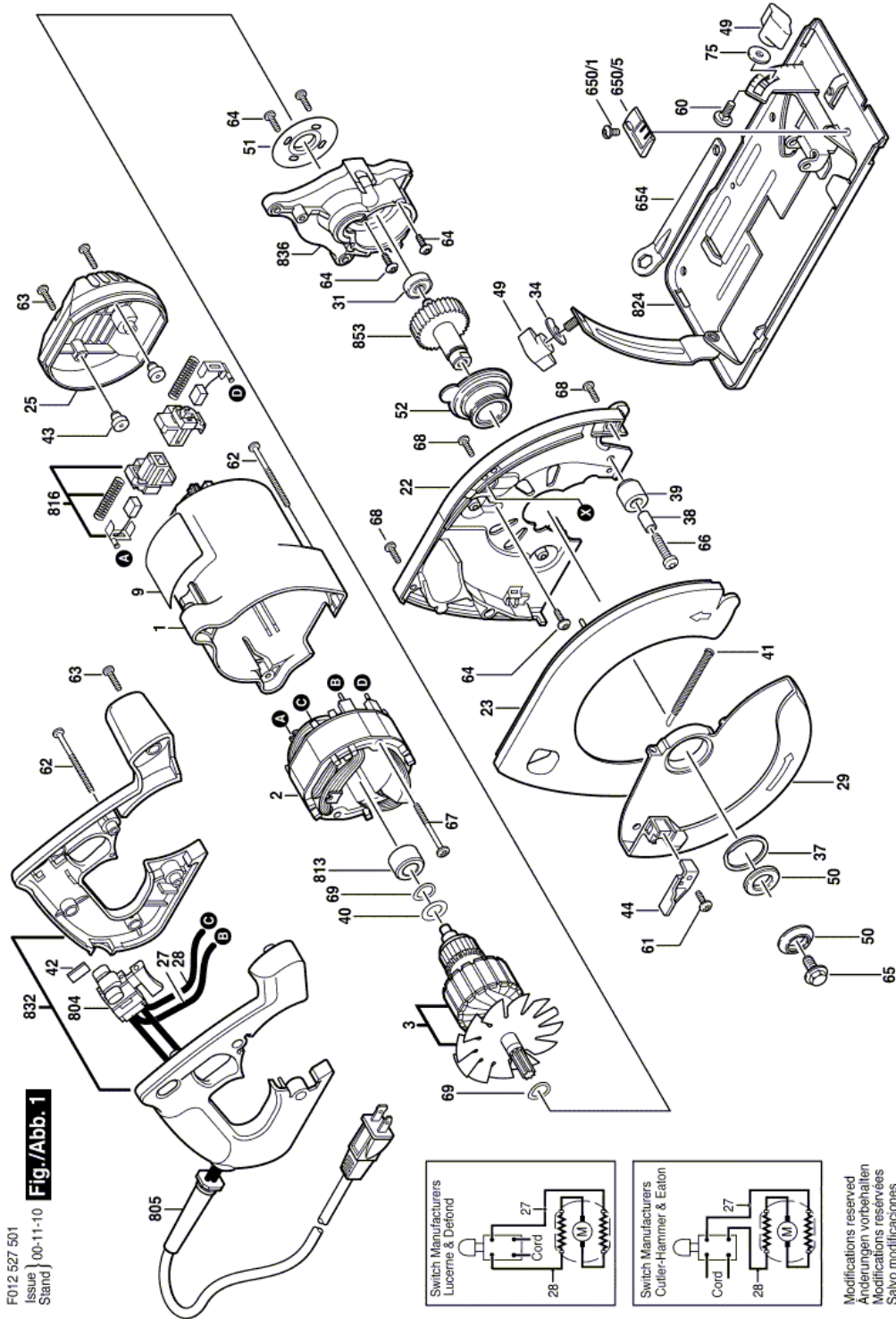
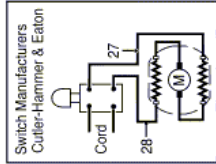
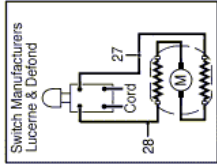


Item	Part Number	Description	Illustration	Price	Quantity
1	2 610 996 647	Motor Housing		1,-	1
2	2 610 341 367	Field 120V		1,-	1
3	2 610 968 412	Armature 120V		1,-	1
9	2 610 909 014	Nameplate		1,-	1
22	2 610 997 761	Upper Housing		1,-	1
23	2 610 997 762	Front Housing		1,-	1
25	2 610 997 752	Sealing cap		1,-	1
27	2 610 990 839	Connecting Cable L = 375 MM		1,-	1
28	2 610 990 840	Connecting Cable L = 250 MM		1,-	1
29	2 610 968 880	Pivoting Blade Guard		1,-	1
31	1 619 P01 511	Ball Bearing		1,-	1
34	2 610 993 171	Pointer		1,-	1
37	2 610 341 359	Spring retaining ring		1,-	1
38	2 610 341 366	Spacer		1,-	1
39	2 610 341 394	End stop		1,-	1
40	2 610 341 465	Washer		1,-	1
41	2 610 968 416	Extension Spring		1,-	1
42	2 610 347 892	Spacer		1,-	1
43	2 610 350 655	Rubber Buffer		1,-	2
44	2 610 968 855	Lever		1,-	1
49	2 610 917 567	Knob		1,-	1
50	2 610 341 361	Supporting Disc		1,-	2
51	2 610 990 808	Heat Sink		1,-	1
52	2 610 968 650	Bearing Flange		1,-	1
60	2 610 017 262	Round-Head Bolt		1,-	1
61	2 610 328 924	Screw		1,-	1
62	2 610 968 438	Screw		1,-	3
63	1 619 P01 505	Screw		1,-	6
64	2 610 990 818	Hex Screw		1,-	8
65	1 619 X00 935	Hex Screw		1,-	1
66	2 610 347 100	Screw		1,-	1
67	2 610 347 103	Screw		1,-	2
68	2 610 992 551	Tapping Screw		1,-	4

Item	Part Number	Description	Illustration	Price	Quantity	
69	2 610 313 808	Plain Washer		1	-,-	2
75	1 619 P01 535	Washer		1	-,-	1
650/1	2 610 347 488	Screw		1	-,-	1
650/5	2 610 993 155	Indicator		1	-,-	1
654	2 610 968 670	Box Wrench		1	-,-	1
804	2 610 347 481	On-Off Switch		1	-,-	1
805	2 610 313 328	Power supply cord		1	-,-	1
813	2 610 921 176	Spare Part		1	-,-	1
816	2 610 993 156	Carbon-Brush Set		1	-,-	1
824	2 610 993 167	Base Plate		1	-,-	1
832	2 610 993 238	Handle		1	-,-	1
836	2 610 968 683	Gear Housing		1	-,-	1
853	2 610 997 756	Gear Shaft		1	-,-	1



F012 527 501
 Issue } 00-11-10 **Fig./Abb. 1**
 Stand }



Modifications reserved
 Änderungen vorbehalten
 Modifications réservées
 Salvo modificaciones