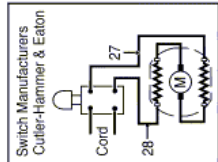
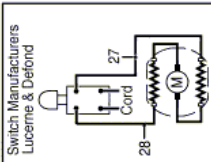
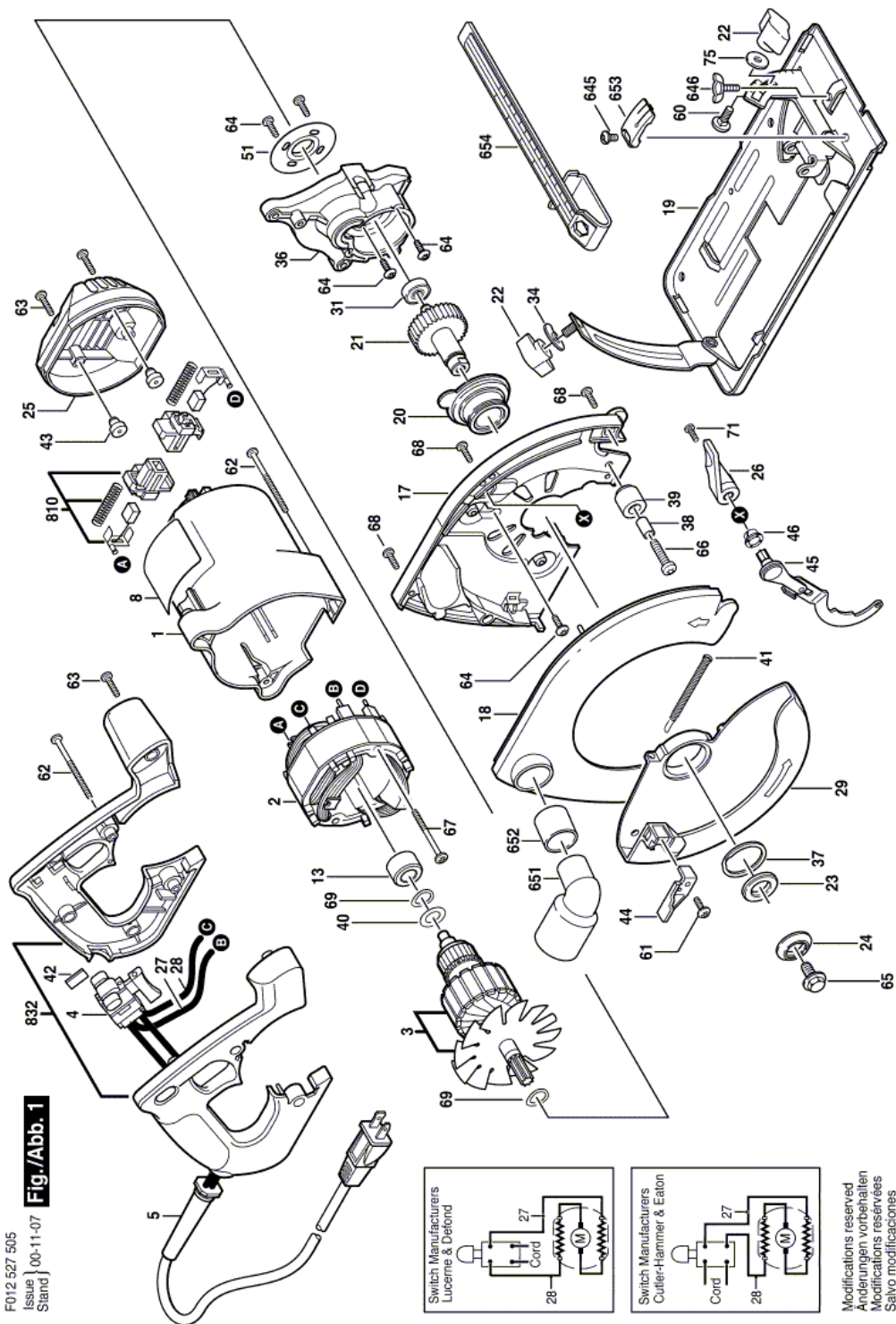


Item	Part Number	Description	Illustration	Price	Quantity
1	2 610 968 308	Motor Housing	1	-,-	1
2	2 610 341 367	Field 120V	1	-,-	1
3	2 610 968 412	Armature 120V	1	-,-	1
4	2 610 347 481	On-Off Switch	1	-,-	1
5	2 610 996 607	Power supply cord	1	-,-	1
8	2 610 968 440	Nameplate	1	-,-	1
13	2 610 921 176	Spare Part	1	-,-	1
17	2 610 968 446	Front Housing	1	-,-	1
18	2 610 968 445	Front Housing	1	-,-	1
19	2 610 993 167	Base Plate	1	-,-	1
20	2 610 968 650	Bearing Flange	1	-,-	1
21	2 610 992 588	Spindle With Gear	1	-,-	1
22	2 610 917 567	Knob	1	-,-	1
23	2 610 968 319	Plain Washer	1	-,-	1
24	2 610 968 320	Special Washer	1	-,-	1
25	2 610 968 309	Sealing cap	1	-,-	1
26	2 610 968 318	Adjusting lever RED	1	-,-	1
27	2 610 990 839	Connecting Cable L = 375 MM	1	-,-	1
28	2 610 990 840	Connecting Cable L = 250 MM	1	-,-	1
29	2 610 968 544	Pivoting Blade Guard	1	-,-	1
31	1 619 P01 511	Ball Bearing	1	-,-	1
34	2 610 993 171	Pointer	1	-,-	1
36	2 610 968 683	Gear Housing	1	-,-	1
37	2 610 341 359	Spring retaining ring	1	-,-	1
38	2 610 341 366	Spacer	1	-,-	1
39	2 610 341 394	End stop	1	-,-	1
40	2 610 341 465	Washer	1	-,-	1
41	2 610 968 416	Extension Spring	1	-,-	1
42	2 610 347 892	Spacer	1	-,-	1
43	2 610 350 655	Rubber Buffer	1	-,-	2
44	2 610 968 854	Lever	1	-,-	1
45	2 610 968 418	Swivel Arm	1	-,-	1
46	2 610 968 421	Bushing	1	-,-	1

Item	Part Number	Description	Illustration	Price	Quantity	
	51 2 610 990 808	Heat Sink		1	-,-	1
	60 2 610 017 262	Round-Head Bolt		1	-,-	1
	61 2 610 328 924	Screw		1	-,-	1
	62 2 610 968 438	Screw		1	-,-	3
	63 1 619 P01 505	Screw		1	-,-	6
	64 2 610 990 818	Hex Screw		1	-,-	8
	65 1 619 X00 935	Hex Screw		1	-,-	1
	66 2 610 347 100	Screw		1	-,-	1
	67 2 610 347 103	Screw		1	-,-	2
	68 2 610 992 551	Tapping Screw		1	-,-	4
	69 2 610 313 808	Plain Washer		1	-,-	2
	71 2 610 354 611	Screw RED		1	-,-	1
	75 1 619 P01 535	Washer		1	-,-	1
	645 2 610 347 488	Screw		1	-,-	1
	646 2 610 018 222	Screw		1	-,-	1
	651 2 610 968 430	Elbow		1	-,-	1
	652 2 610 968 653	Spacer		1	-,-	1
	653 2 610 993 155	Indicator		1	-,-	1
	654 2 610 968 313	Adjusting Wrench		1	-,-	1
	810 2 610 994 000	Brush Holder		1	-,-	1
	832 2 610 993 238	Handle		1	-,-	1

F012 527 505  
 Issue | 00-11-07  
 Stand

**Fig./Abb. 1**



Modifications reserved  
 Änderungen vorbehalten  
 Modifications réservées  
 Salvo modificaciones