



# SERVICE PARTS LIST

**BULLETIN NO.**  
**54-24-1250**

SPECIFY CATALOG NO. AND SERIAL NO. WHEN ORDERING PARTS		REVISED BULLETIN	DATE
<b>DEMOLITION HAMMER</b>			Feb. '97
CATALOG NO. <b>5335</b>	STARTING SERIAL NO. <b>804-1001</b>	WIRING INSTRUCTION <b>58-01-1480</b>	

**EXAMPLE:**

**00** Component Parts (Small #) Are Included When Ordering The Assembly (Large #)

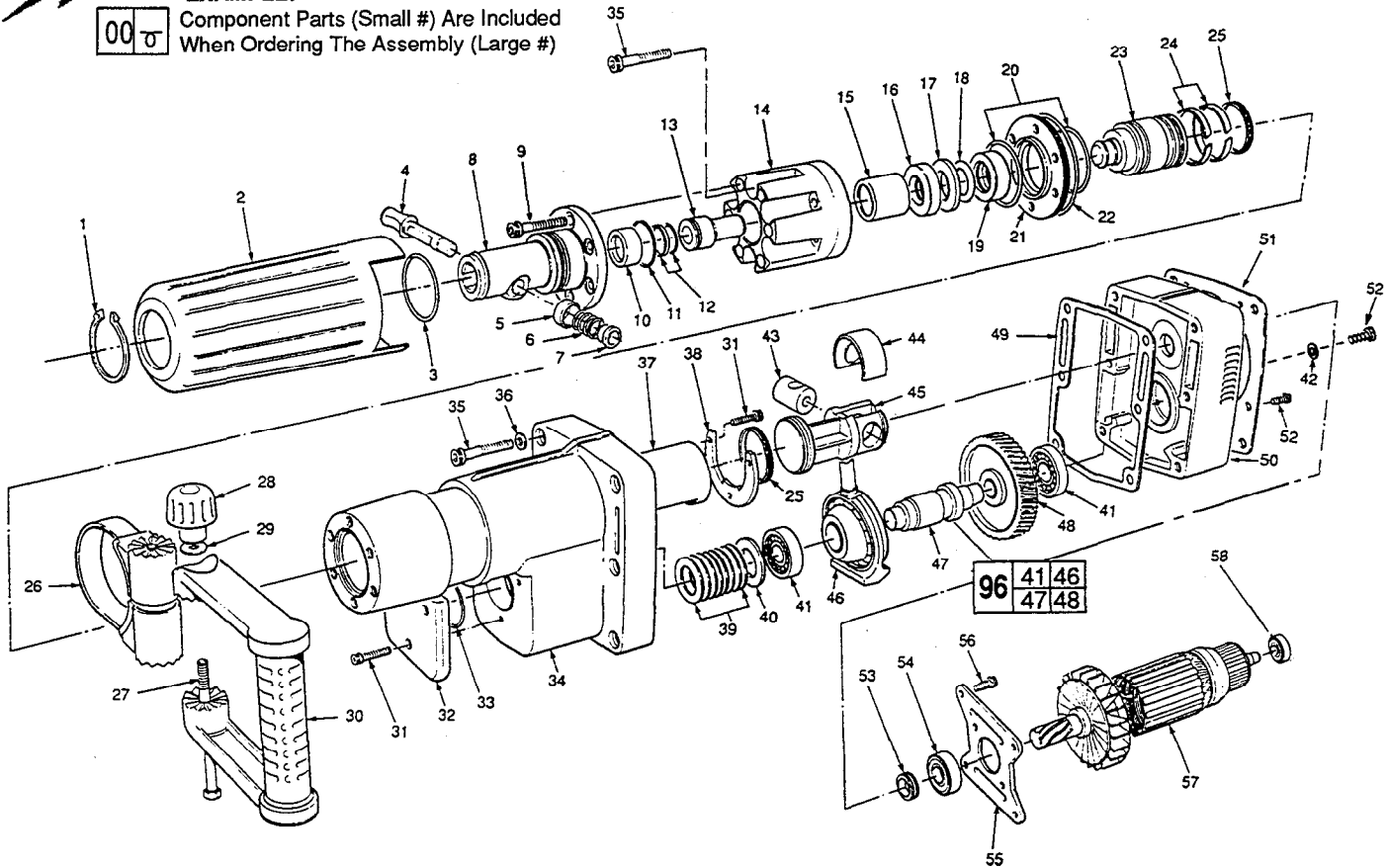


FIG.	PART NO.	DESCRIPTION OF PART	NO. REQ.
1	34-60-3575	External Retaining Ring	(1)
2	28-12-0330	Nose Cap	(1)
3	34-40-4280	O-Ring	(1)
4	44-20-0295	Bit Lock	(1)
5	42-96-0155	Cup-Bit Lock	(1)
6	40-50-8555	Spring-Bit Lock	(1)
7	42-76-0690	Collar-Bit Lock	(1)
8	30-61-0030	Nose Piece	(1)
9	05-74-0170	M8 x 25 Skt. Hd. Cap Screw	(6)
10	42-76-0695	Collar	(1)
11	34-40-4270	O-Ring	(2)
12	45-06-0590	Seal-Striker	(1)
13	45-56-2600	Striker	(1)
14	28-50-0200	Housing-Striker	(1)
15	45-36-1500	Spacer	(1)
16	44-90-4360	Ring-Damping	(1)
17	44-90-4365	Ring-Cushion	(1)
18	34-40-3505	O-Ring	(1)
19	44-90-4370	Ring-Ram Catcher	(1)
20	34-40-4275	O-Ring	(2)
21	44-90-4355	Ring	(1)
22	34-40-4285	O-Ring	(1)
23	44-82-0150	Ram	(1)
24	42-24-0605	Ring-Guide	(2)
25	45-06-0595	Seal-Ram and Piston	(2)
26	42-68-0660	Handle Clamp	(1)
27	05-89-0050	M8 x 130 Hex Hd. Bolt	(1)
28	43-98-0440	Knob	(1)
29	45-88-8450	Washer	(1)
30	31-44-1800	Spade Handle	(1)
31	05-74-0080	M4 x 20 Skt. Hd. Cap Screw	(6)
32	28-20-1335	Cover	(1)
33	34-40-4295	O-Ring	(1)
34	28-50-6405	Crank Case	(1)
35	05-74-0100	M8 x 45 Skt. Hd. Cap Screw	(18)

FIG.	PART NO.	DESCRIPTION OF PART	NO. REQ.
36	45-88-8455	Washer	(6)
37	28-25-0160	Barrel	(1)
38	44-86-0570	Retainer-Barrel	(1)
39	40-50-8565	Spring-Disc	(8)
40	45-88-8445	Washer	(1)
41	02-50-1150	Roller Bearing	(2)
42	06-97-3040	Star Lock Washer	(1)
43	44-60-1350	Pin-Wrist	(1)
44	42-24-0600	Bearing Clip	(1)
45	44-62-0195	Piston	(1)
46	30-72-0030	Wobble Plate	(1)
47	36-92-0730	Wobble Shaft	(1)
48	32-60-2570	Gear	(1)
49	43-44-0960	Gasket-Crank Case	(1)
50	28-28-2050	Diaphragm	(1)
51	42-14-0375	Gasket-Baffle	(1)
52	05-74-0110	M5 x 10 Skt. Hd. Cap Screw	(2)
53	34-40-4270	O-Ring	(1)
54	02-04-5115	Ball Bearing	(1)
55	28-72-0010	Bearing Plate	(1)
56	05-74-0130	M4 x 12 Skt. Hd. Cap Screw	(4)
57	16-70-0450	Armature	(1)
58	02-04-5110	Ball Bearing	(1)
96	36-92-0735	Wobble Shaft Assembly	(1)

**SEE REVERSE SIDE**

**MILWAUKEE ELECTRIC TOOL CORPORATION**  
13135 W. LISBON RD., BROOKFIELD, WI 53005

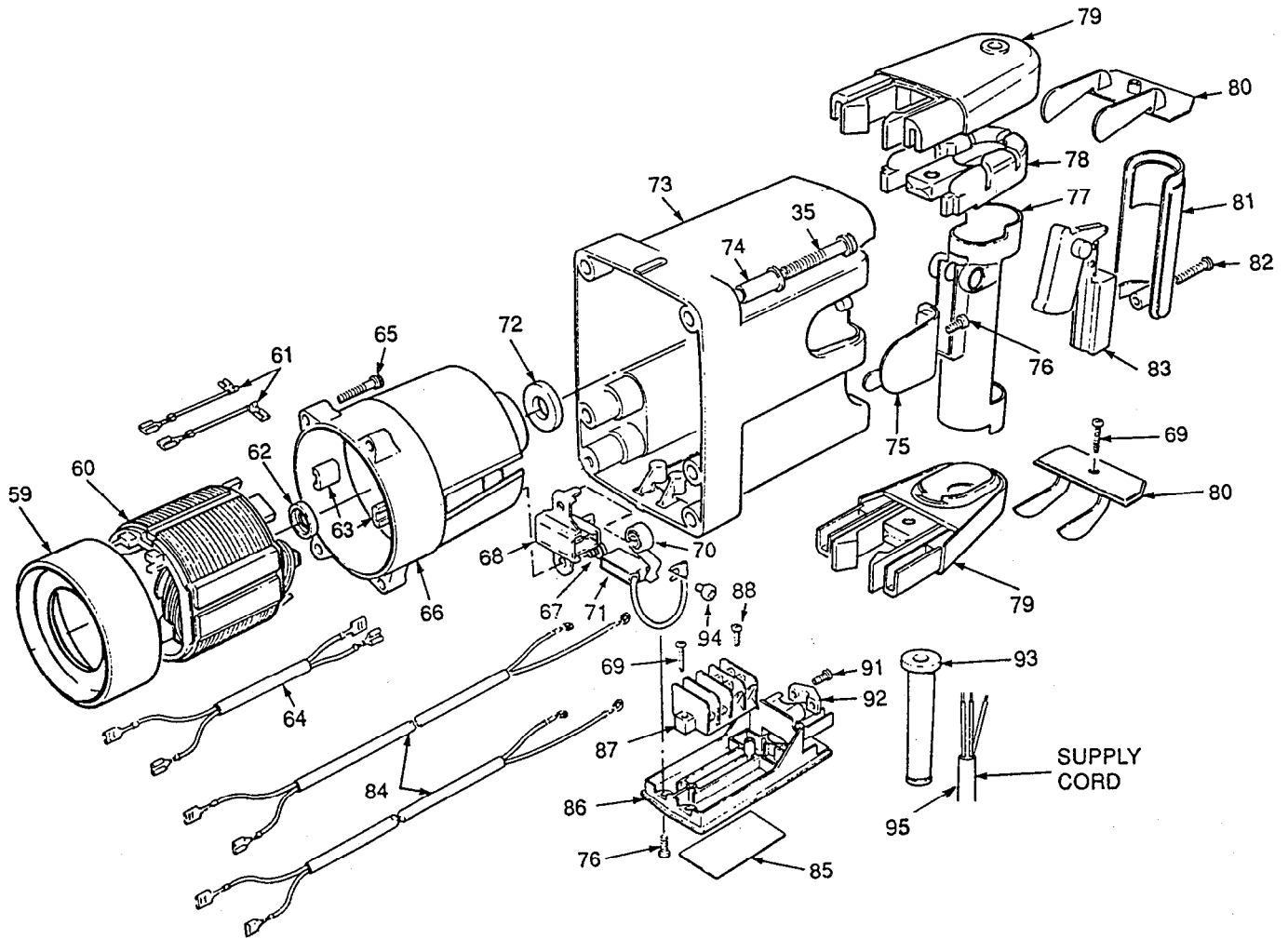


FIG.	PART NO.	DESCRIPTION OF PART	NO. REQ.
35	05-74-0100	M8 x 45 Skt. Hd. Cap Screw	(18)
59	42-14-0370	Baffle	(1)
60	18-70-0450	Field	(1)
61	23-94-6365	Brush Lead Assembly	(2)
62	42-96-0160	Cup-Bearing	(1)
63	44-18-0130	Locator	(2)
64	23-94-6360	Field Lead Assembly	(1)
65	05-74-0120	M5 x 30 Skt. Hd. Cap Screw	(4)
66	31-50-1020	Field Housing	(1)
67	05-71-0070	M3.5 x 8 Posi Drive Pan Hd. Screw	(4)
68	22-20-0840	Brush Holder	(2)
69	06-81-5350	6-18 x 5/8" Posi Drive Pan Hd. Screw	(3)
70	40-50-8560	Brush Spring	(2)
71	22-18-0835	Carbon Brush (2) Service Kit	(1)
72	45-60-0560	Motor Support-Rubber	(1)
73	28-50-6410	Motor Housing	(1)
74	43-84-0795	Insert	(6)
75	42-92-0895	Cover-Brush	(2)
76	05-74-0150	M4 x 10 Low Hd. Skt. Screw	(4)
77	43-62-1060	Handle	(1)
78	44-34-0160	Handle Mount	(2)
79	28-90-0220	Handle Support	(2)
80	44-66-6020	Handle Locking Plate	(2)
81	43-62-1065	Handle Grip	(1)
82	06-81-5360	8-18 x 1" Posi Pan Hd. Screw	(1)
83	23-66-2130	Switch	(1)
84	23-94-6355	Switch Lead Assembly	(2)
85	12-20-0670	Service Nameplate Kit	(1)
86	31-15-0425	Cover-Terminal	(1)
87	42-28-0320	Block-Terminal	(1)
88	06-81-2310	6-32 x 3/8" Fil. Strgt. Slit. Screw	(1)
91	06-81-5340	8-16 x 3/4" Posi Pan Hd. Selftap Screw	(2)

FIG.	PART NO.	DESCRIPTION OF PART	NO. REQ.
92	22-38-0165	Cord Clamp	(1)
93	44-76-0245	Cord Protector	(1)
94	05-71-0060	M4 x 8 Posi Drive Pan Hd. Screw	(2)
95	22-64-4540	Cord Set	(1)

**● 14-46-1920 LUBRICATION SERVICE KIT**  
**THIS KIT CONTAINS:**

1	34-40-3505	O-Ring
1	34-40-4270	O-Ring
2	34-40-4275	O-Ring
1	34-40-4280	O-Ring
1	34-40-4285	O-Ring
1	34-40-4295	O-Ring
8	40-50-8565	Spring-Disc
2	42-24-0605	Ring-Guide
1	43-44-0960	Gasket-Crank Case
1	44-90-4365	Ring Cushion
1	45-06-0590	Seal-Striker
2	45-06-0595	Seal Ram and Piston
5	49-08-0300	Grease-3Oz. Type "M"