



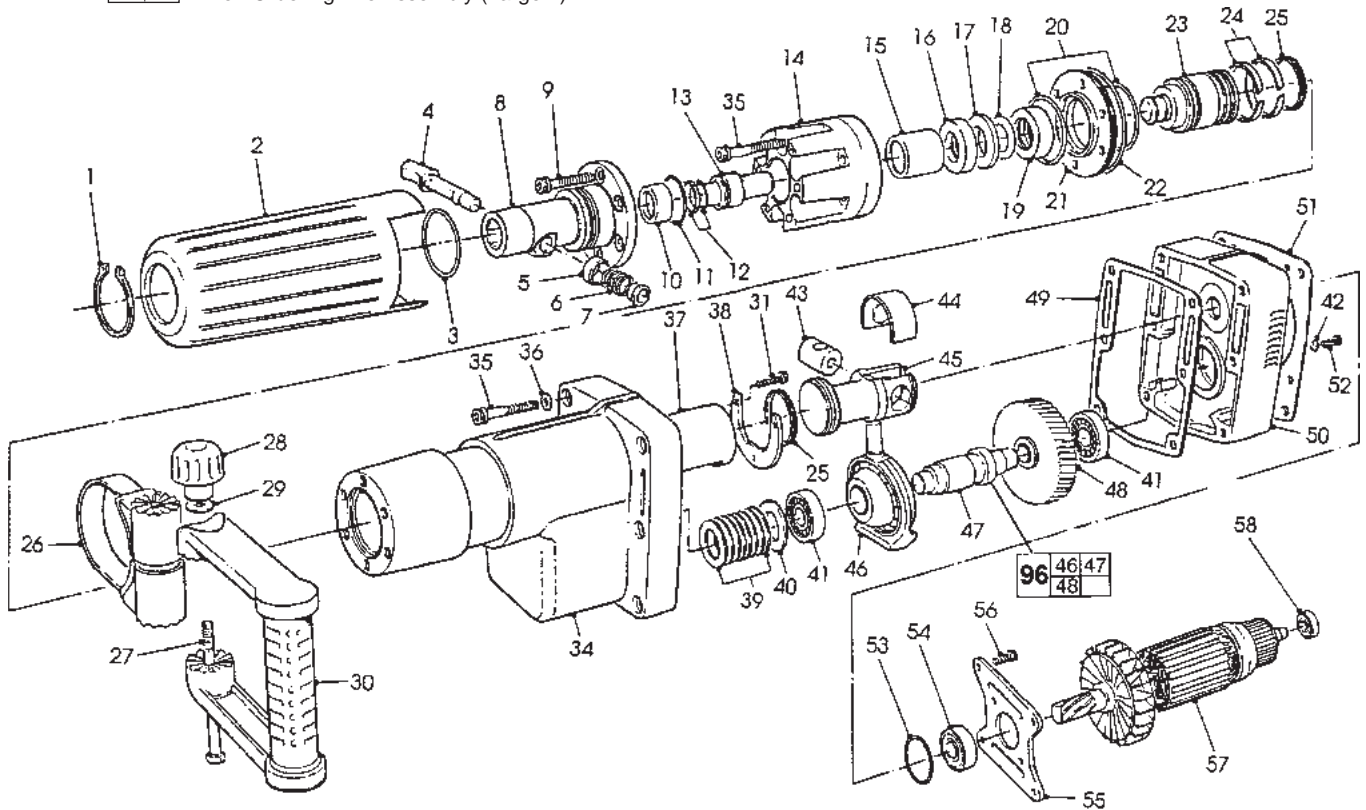
SERVICE PARTS LIST

BULLETIN NO.
54-24-1251

| | | | |
|--|-------------|--------------------------------|---|
| SPECIFY CATALOG NO. AND SERIAL NO. WHEN ORDERING PARTS | | REVISED BULLETIN 54-24-1250 | DATE Mar. 2008 |
| DEMOLITION HAMMER | | | |
| CATALOG NO. | 5335 | STARTING SERIAL NO. | 804-8000 |
| | | | WIRING INSTRUCTION 58-01-1480 |

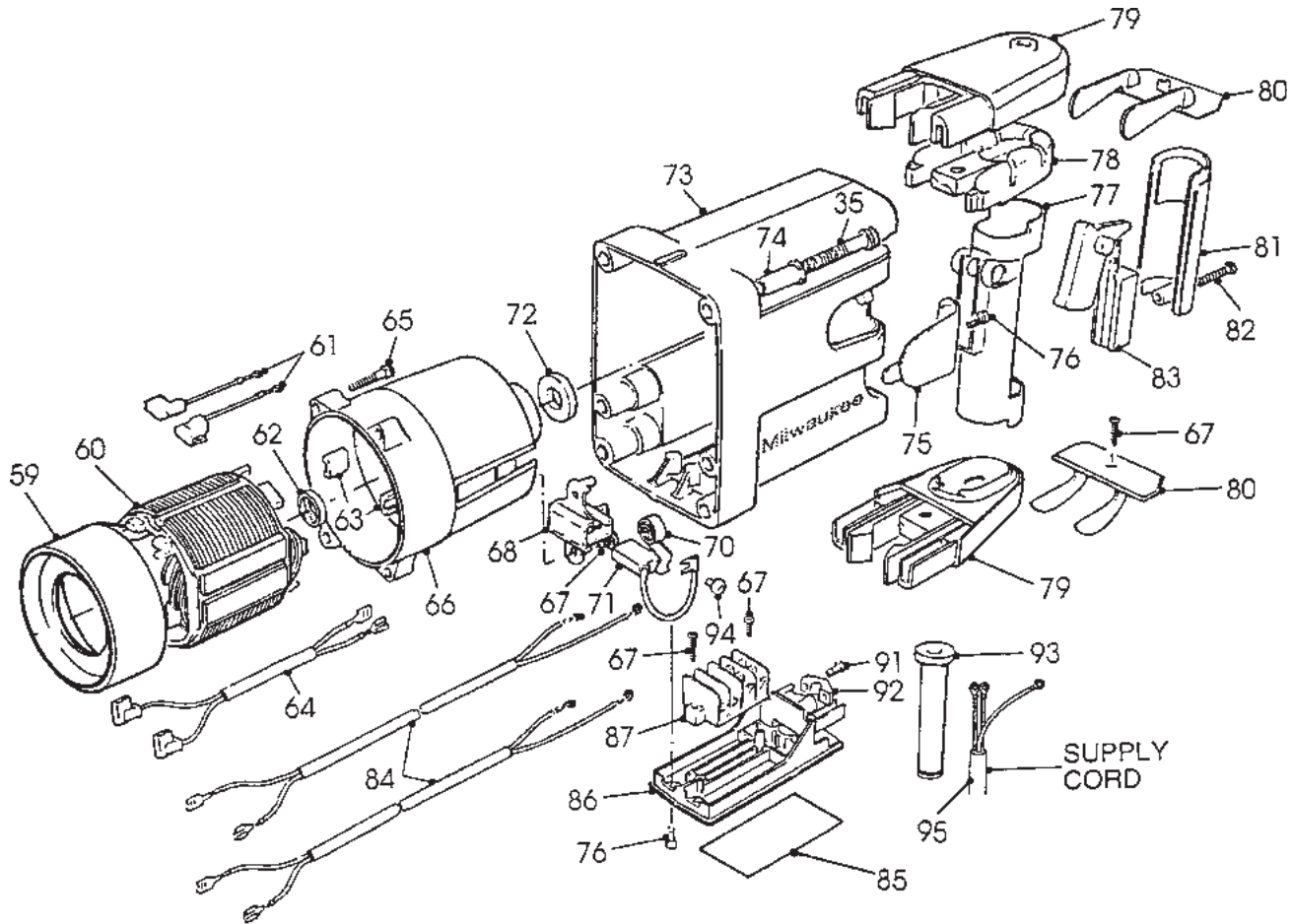
00
0

EXAMPLE:
Component Parts (Small #) Are Included
When Ordering The Assembly (Large #).



| FIG. | PART NO. | DESCRIPTION OF PART | NO. REQ. | FIG. | PART NO. | DESCRIPTION OF PART | NO. REQ. |
|------|-------------|----------------------------|----------|------|-------------|----------------------------|----------|
| 1 | 34-60-3575 | External Retaining Ring | (1) | 36 | 45-88-8455 | Washer | (6) |
| 2 | 28-12-0330 | Nose Cap | (1) | 37 | 28-25-0160 | Barrel | (1) |
| 3 | 34-40-4280● | O-Ring | (1) | ★38 | 44-86-0571 | Retainer-Barrel | (1) |
| 4 | 44-20-0295 | Bit Lock | (1) | 39 | 40-50-8565● | Spring-Disc | (8) |
| 5 | 42-96-0155 | Cup-Bit Lock | (1) | 40 | 45-88-8445 | Washer | (1) |
| 6 | 40-50-8555 | Spring-Bit Lock | (1) | 41 | 02-50-1150 | Roller Bearing | (2) |
| 7 | 42-76-0690 | Collar-Bit Lock | (1) | 42 | 06-97-3040 | Star Lock Washer | (1) |
| 8 | 30-61-0030 | Nose Piece | (1) | 43 | 44-60-1350 | Pin-Wrist | (1) |
| 9 | 05-74-0170 | M8 x 25 Skt. Hd. Cap Screw | (6) | 44 | 42-24-0600 | Bearing Clip | (1) |
| 10 | 42-76-0695 | Collar | (1) | 45 | 44-62-0195 | Piston | (1) |
| 11 | 34-40-4270● | O-Ring | (2) | 46 | 30-72-0030 | Wobble Plate | (1) |
| 12 | 45-06-0590● | Seal-Striker | (1) | 47 | 36-92-0730 | Wobble Shaft | (1) |
| 13 | 45-56-2600 | Striker | (1) | 48 | 32-60-2570 | Gear | (1) |
| 14 | 28-50-0200 | Housing-Striker | (1) | 49 | 43-44-0960● | Gasket-Crank Case | (1) |
| 15 | 45-36-1500 | Spacer | (1) | ★50 | 28-28-2051 | Diaphragm | (1) |
| 16 | 44-90-4360 | Ring-Damping | (1) | 51 | 42-14-0375 | Gasket-Baffle | (1) |
| 17 | 44-90-4365● | Ring-Cushion | (1) | 52 | 05-74-0110 | M5 x 10 Skt. Hd. Cap Screw | (2) |
| 18 | 34-40-3505● | O-Ring | (1) | 53 | 34-40-4270 | O-Ring | (1) |
| 19 | 44-90-4370 | Ring-Ram Catcher | (1) | 54 | 02-04-5115 | Ball Bearing | (1) |
| 20 | 34-40-4275● | O-Ring | (2) | 55 | 28-72-0010 | Bearing Plate | (1) |
| 21 | 44-90-4355 | Ring | (1) | 56 | 05-74-0130 | M4 x 12 Skt. Hd. Cap Screw | (4) |
| 22 | 34-40-4285● | O-Ring | (1) | 57 | 16-70-0450 | Armature | (1) |
| 23 | 44-82-0150 | Ram | (1) | 58 | 02-04-5110 | Ball Bearing | (1) |
| 24 | 42-24-0605● | Ring-Guide | (2) | 96 | 36-92-0735 | Wobble Shaft Assembly | (1) |
| 25 | 45-06-0595● | Seal-Ram and Piston | (2) | | 42-52-0340 | Dust Cap (Not Shown) | (1) |
| 26 | 42-68-0660 | Handle Clamp | (1) | | | | |
| 27 | 05-89-0050 | M8 x 130 Hex Hd. Bolt | (1) | | | | |
| 28 | 43-98-0440 | Knob | (1) | | | | |
| 29 | 45-88-8450 | Washer | (1) | | | | |
| 30 | 31-44-1800 | Spade Handle | (1) | | | | |
| ★31 | 05-74-0081 | M5 x 20 Skt. Hd. Cap Screw | (3) | | | | |
| ★34 | 28-50-6406 | Crank Case | (1) | | | | |
| 35 | 05-74-0100 | M8 x 45 Skt. Hd. Cap Screw | (18) | | | | |

SEE REVERSE SIDE



| FIG. | PART NO. | DESCRIPTION OF PART | NO. REQ. |
|------|----------|--|----------|
| | 35 | M8 x 45 Skt. Hd. Cap Screw | (18) |
| | 59 | Baffle | (1) |
| | 60 | Field | (1) |
| | 61 | Brush Lead Assembly | (2) |
| | 62 | Cup-Bearing | (1) |
| | 63 | Locator | (2) |
| | 64 | Field Lead Assembly | (1) |
| | 65 | M5 x 30 Skt. Hd. Cap Screw | (4) |
| | 66 | Field Housing | (1) |
| ★ | 67 | M3.5 x 8 Posi Drive Pan Hd. Screw | (6) |
| | 68 | Brush Holder | (2) |
| | 70 | Brush Spring | (2) |
| | 71 | Carbon Brush (2) Service Kit | (1) |
| | 72 | Motor Support-Rubber | (1) |
| | 73 | Motor Housing | (1) |
| | 74 | Insert | (6) |
| | 75 | Cover-Brush | (2) |
| | 76 | M4 x 10 Low Hd. Skt. Screw | (4) |
| ★ | 77 | Handle | (1) |
| | 78 | Handle Mount | (2) |
| | 79 | Handle Support | (2) |
| | 80 | Handle Locking Plate | (2) |
| ★ | 81 | Handle Grip | (1) |
| | 82 | 8-18 x 1" Posi Pan Hd. Screw | (1) |
| ★ | 83 | Switch | (1) |
| ★ | 84 | Switch Lead Assembly | (2) |
| | 85 | Service Nameplate Kit | (1) |
| | 86 | Cover-Terminal | (1) |
| | 87 | Block-Terminal | (1) |
| | 91 | 8-16 x 3/4" Posi Pan Hd. Selftap Screw | (2) |

| FIG. | PART NO. | DESCRIPTION OF PART | NO. REQ. |
|------|----------|---------------------------------|----------|
| | 92 | Cord Clamp | (1) |
| | 93 | Cord Protector | (1) |
| | 94 | M4 x 8 Posi Drive Pan Hd. Screw | (2) |
| | 95 | Cord Set | (1) |

● 14-46-1920 LUBRICATION SERVICE KIT

THIS KIT CONTAINS:

| | | |
|-----|------------|--------------------------|
| 1 | 34-40-3505 | O-Ring |
| 1 | 34-40-4270 | O-Ring |
| 2 | 34-40-4275 | O-Ring |
| 1 | 34-40-4280 | O-Ring |
| 1 | 34-40-4285 | O-Ring |
| 8 | 40-50-8565 | Spring-Disc |
| 2 | 42-24-0605 | Ring-Guide |
| 1 | 43-44-0960 | Gasket-Crank Case |
| 1 | 44-90-4365 | Ring Cushion |
| 1 | 45-06-0590 | Seal-Striker |
| 2 | 45-06-0595 | Seal Ram and Piston |
| ★ 3 | 49-08-5265 | Grease - 7 Oz. Type "S2" |

GREASE ALL RUBBER PARTS WHEN ASSEMBLING