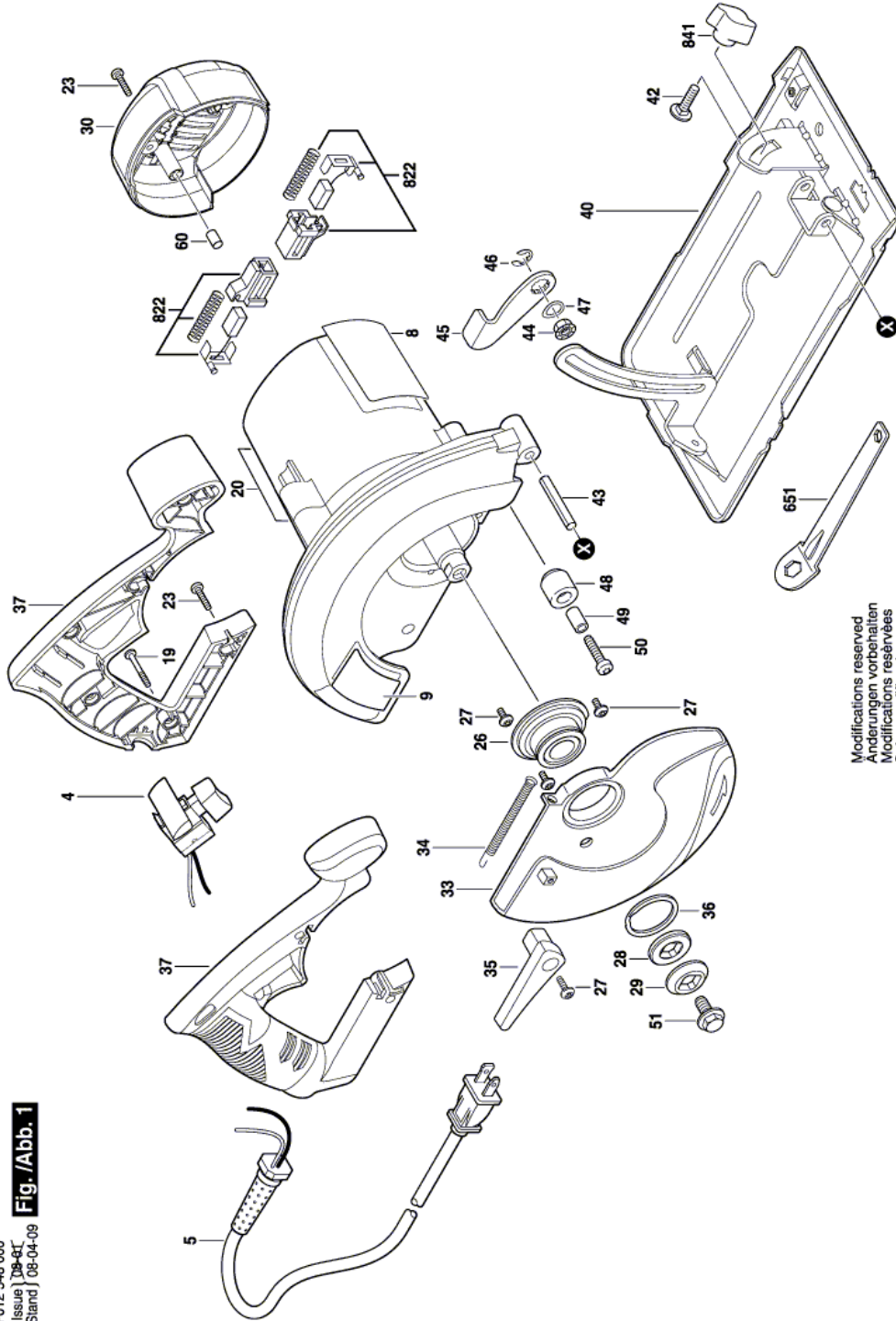


Item	Part Number	Description	Illustration	Price	Quantity	
4	1 619 X00 641	Switch		1	-,-	1
5	1 619 X04 467	Power supply cord		1	-,-	1
8	1 619 X00 698	Nameplate		1	-,-	1
9	1 619 X00 644	Manufacturer's nameplate		1	-,-	1
19	1 619 X01 012	Screw		1	-,-	2
20	1 619 X00 649	Warning Label		1	-,-	1
23	1 619 X01 011	Screw		1	-,-	6
26	1 619 X00 657	Bearing Plate		1	-,-	1
27	1 619 X01 786	Contact Screw		1	-,-	4
28	1 619 X00 659	Washer		1	-,-	1
29	1 619 X00 660	Washer		1	-,-	1
30	1 619 X01 098	Housing Cover		1	-,-	1
33	1 619 X03 951	Pivoting Blade Guard		1	-,-	1
34	1 619 X04 824	Extension Spring		1	-,-	1
35	1 619 X04 655	Lever		1	-,-	1
36	1 619 X00 667	Retaining snap ring		1	-,-	1
37	1 619 X01 007	Set Of Handles		1	-,-	1
40	1 619 X08 801	Base Plate		1	-,-	1
42	1 619 X00 674	Bolt		1	-,-	1
43	1 619 X00 676	Roller Pin		1	-,-	1
44	1 619 X00 677	Nut		1	-,-	1
45	1 619 X05 358	Depth-Gauge		1	-,-	1
46	2 610 923 854	Clip		1	-,-	1
47	1 619 X01 014	Spring Washer		1	-,-	1
48	1 619 X00 681	Stopper		1	-,-	1
49	1 619 X00 682	Spacer		1	-,-	1
50	1 619 X00 683	Screw		1	-,-	1
51	1 619 X00 935	Hex Screw		1	-,-	1
60	1 619 X01 409	Holding Pin		1	-,-	2
651	1 619 X00 685	Box Wrench		1	-,-	1
822	1 619 X02 851	Carbon-Brush Set		1	-,-	1
841	2 610 917 567	Knob		1	-,-	1

F012 548 000
 Issue 1
 Stand | 08-04-09

Fig./Abb. 1



Modifications reserved
 Änderungen vorbehalten
 Modifications réservées
 Salvo modificaciones