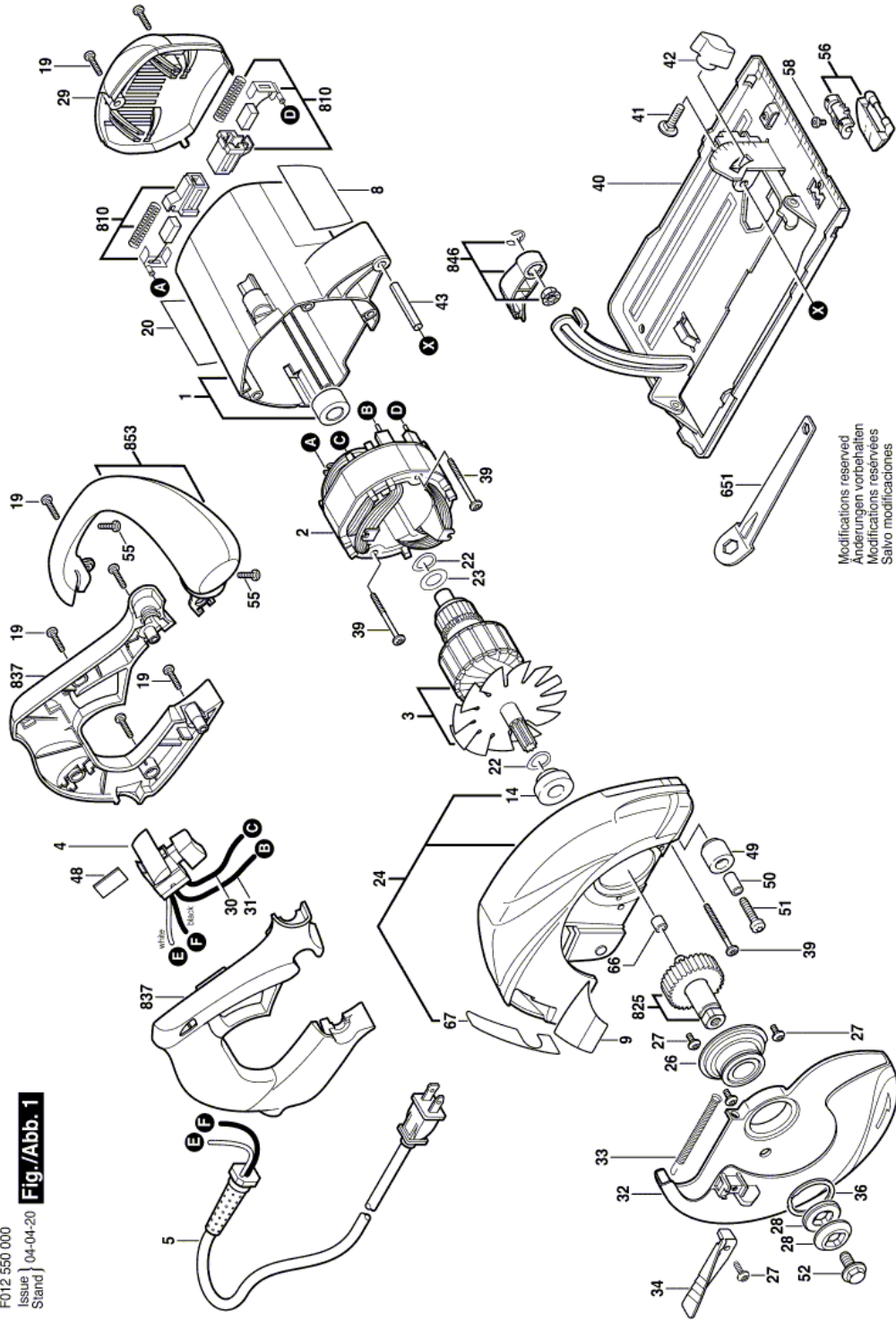


Item	Part Number	Description	Illustration	Price	Quantity
1	2 610 912 983	Housing	1	-,-	1
2	2 610 341 367	Field 120V	1	-,-	1
3	2 610 341 306	Armature 120V	1	-,-	1
4	2 610 917 325	Switch	1	-,-	1
5	2 610 915 148	Power supply cord	1	-,-	1
8	2 610 913 228	Manufacturer's nameplate	1	-,-	1
9	2 610 913 223	Reference Plate	1	-,-	1
14	2 610 356 680	Bearing Sleeve	1	-,-	1
19	1 619 P01 505	Screw	1	-,-	8
20	2 610 913 224	Reference Plate	1	-,-	1
22	2 610 313 808	Plain Washer	1	-,-	2
23	2 610 341 465	Washer	1	-,-	1
24	2 610 312 398	Protective Cover	1	-,-	1
26	1 619 X01 554	Bearing Plate	1	-,-	1
27	1 619 X01 786	Contact Screw	1	-,-	4
28	2 610 341 361	Supporting Disc	1	-,-	2
29	2 610 913 232	Motor Housing	1	-,-	1
30	2 610 341 377	Connecting Cable 385 MM	1	-,-	1
31	2 610 916 885	Connecting Cable	1	-,-	1
32	2 610 916 428	Guard Plate	1	-,-	1
33	2 610 914 057	Extension Spring	1	-,-	1
34	2 610 924 015	Lever	1	-,-	1
36	2 610 341 359	Spring retaining ring	1	-,-	1
39	2 610 347 103	Screw	1	-,-	6
40	1 619 X01 143	Base Plate	1	-,-	1
41	2 610 017 262	Round-Head Bolt	1	-,-	1
42	2 610 917 567	Knob	1	-,-	1
43	2 610 914 058	Roller Pin	1	-,-	1
48	2 610 347 892	Spacer	1	-,-	1
49	2 610 341 394	End stop	1	-,-	1
50	2 610 341 366	Spacer	1	-,-	1
51	2 610 347 100	Screw	1	-,-	1
52	1 619 X00 935	Hex Screw	1	-,-	1

Item	Part Number	Description	Illustration	Price	Quantity
55	1 619 X00 504	Screw	1	-,-	2
56	2 610 920 315	Window	1	-,-	1
58	2 610 347 488	Screw	1	-,-	1
66	2 610 997 773	Bearing	1	-,-	1
67	2 610 913 300	Label	1	-,-	1
651	2 610 968 670	Box Wrench	1	-,-	1
810	2 610 993 156	Carbon-Brush Set	1	-,-	1
825	2 610 997 776	Pinion Shaft	1	-,-	1
837	2 610 913 295	Set Of Handles	1	-,-	1
846	2 610 921 181	Lever	1	-,-	1
853	2 610 914 059	Auxiliary Handle	1	-,-	1

F012.550.000
Issue | 04-04-20
Stand

Fig./Abb. 1



Modifications reserved
Änderungen vorbehalten
Modificacions reservées
Salvo modificaciones