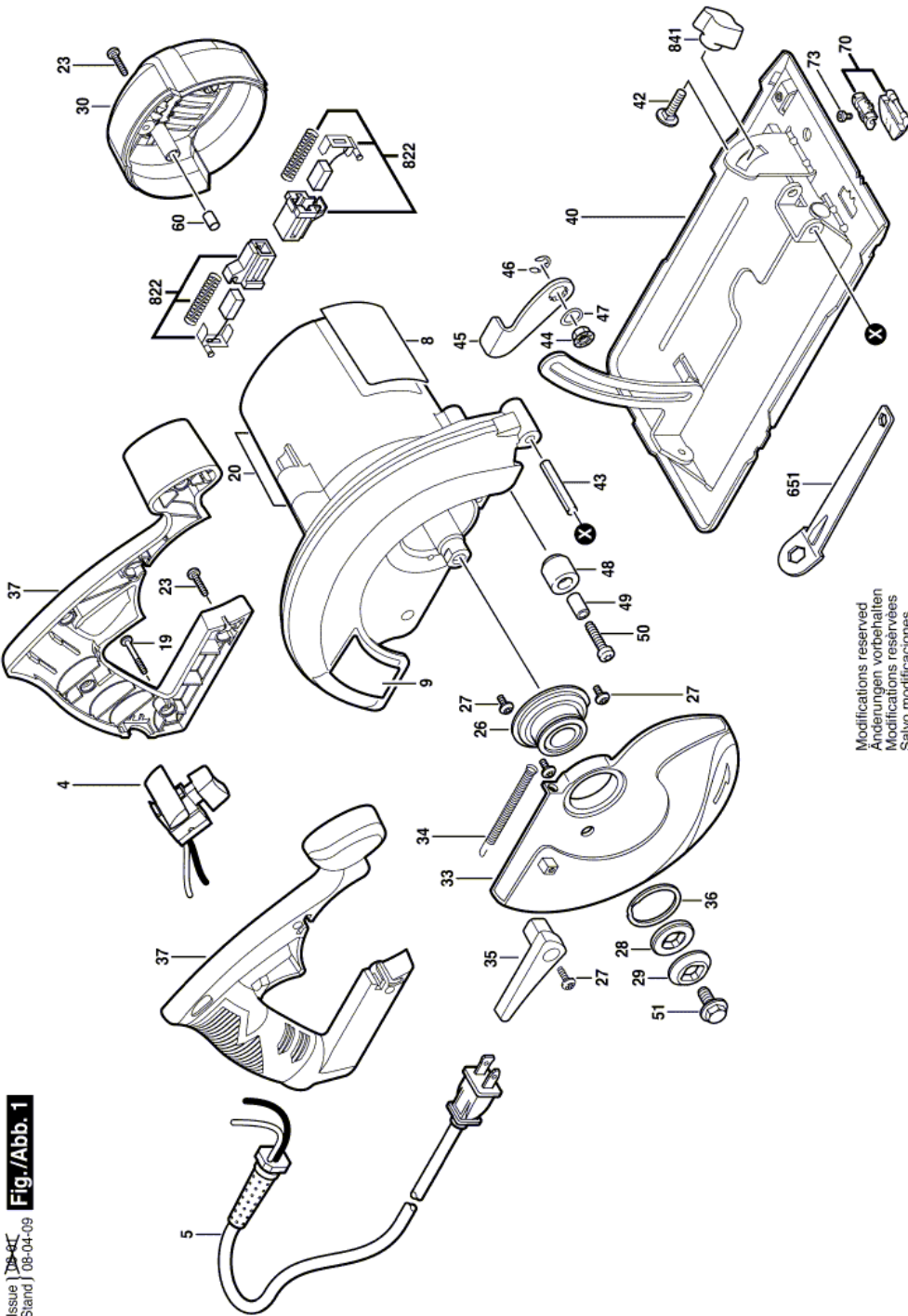


Item	Part Number	Description	Illustration	Price	Quantity
4	1 619 X00 641	Switch		1 -,-	1
5	1 619 X04 467	Power supply cord		1 -,-	1
8	1 619 X02 889	Nameplate		1 -,-	1
9	1 619 X00 717	Manufacturer's nameplate		1 -,-	1
19	1 619 X01 012	Screw		1 -,-	2
20	1 619 X00 649	Warning Label		1 -,-	1
23	1 619 X01 011	Screw		1 -,-	6
26	1 619 X00 657	Bearing Plate		1 -,-	1
27	1 619 X01 786	Contact Screw		1 -,-	4
28	1 619 X00 659	Washer		1 -,-	1
29	1 619 X00 660	Washer		1 -,-	1
30	1 619 X01 098	Housing Cover		1 -,-	1
33	1 619 X03 951	Pivoting Blade Guard		1 -,-	1
34	1 619 X04 824	Extension Spring		1 -,-	1
35	1 619 X04 655	Lever		1 -,-	1
36	1 619 X00 667	Retaining snap ring		1 -,-	1
37	1 619 X01 007	Set Of Handles		1 -,-	1
40	1 619 X01 956	Base Plate		1 -,-	1
42	1 619 X00 674	Bolt		1 -,-	1
43	1 619 X00 676	Roller Pin		1 -,-	1
44	1 619 X00 677	Nut		1 -,-	1
45	1 619 X05 358	Depth-Gauge		1 -,-	1
46	2 610 923 854	Clip		1 -,-	1
47	1 619 X01 014	Spring Washer		1 -,-	1
48	1 619 X00 681	Stopper		1 -,-	1
49	1 619 X00 682	Spacer		1 -,-	1
50	1 619 X00 683	Screw		1 -,-	1
51	1 619 X00 935	Hex Screw		1 -,-	1
60	1 619 X01 409	Holding Pin		1 -,-	2
70	1 619 X01 982	Window		1 -,-	1
73	2 610 347 488	Screw		1 -,-	1
651	1 619 X00 685	Box Wrench		1 -,-	1
822	1 619 X02 851	Carbon-Brush Set		1 -,-	1

Item	Part Number	Description	Illustration	Price	Quantity
841	2 610 917 567	Knob	1	-,-	1

F012 558 000
Issue 1
Stand 10-04-09



Modifications reserved
Änderungen vorbehalten
Modifications réservées
Salvo modificaciones