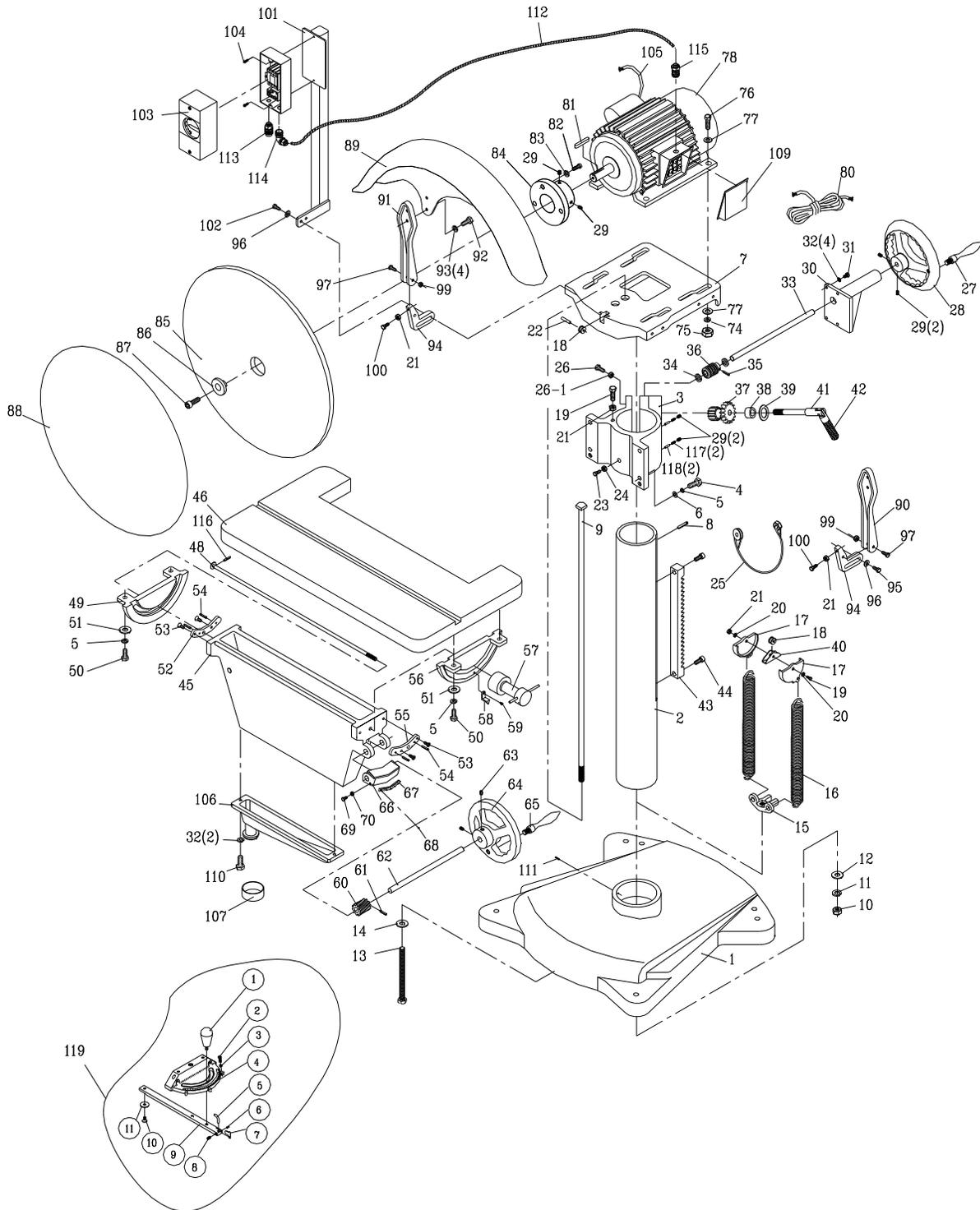


# Exploded View - Upper Saw Head



## Parts List - Upper Saw Head

ITEM NO.	PART NO.	DESCRIPTION	QTY	ITEM NO.	PART NO.	DESCRIPTION	QTY
1	J-5644311	Base	1	38	5644721	Special Washer	1
2	5644321	Column	1	39	5644731	Flat Washer	1
3	J-5644331	Support Bracket	1	40	5644741	Sheave Stand	1
4	5644341	Hex Cap Bolt (3/8"-16 x 1-3/4")	4	41	5644751	Lock Handle	1
5	5644351	Lock Washer (3/8")	8	42	5644761	Knob	1
6	5644361	Flat Washer (3/8")	4	43	5644771	Rack	1
7	J-5644371	Support	1	44	5644781	Socket Hex Cap Screw (5/16"-18 x 1/2")	2
8	5644381	Spring Pin (Ø5 x 20)	1	45	J-5644791	Solid Segment	1
9	5644391	Stud Bolt	1	46	J-5644811	Table	1
10	5644411	Hex Nut (1/2"-12)	1	48	5644831	Table Pivot Shaft	1
11	5644421	Lock Washer (1/2")	1	49	J-5644841	Trunnion	1
12	5644431	Flat Washer (1/2")	1	50	5644851	Hex Cap Bolt (3/8"-16 x 1")	4
13	5644441	Spring Stud Bolt	1	51	5644861	Flat Washer (3/8")	8
14	5644451	Flat Washer (1/2")	1	52	5644871	Trunnion Shoe	1
15	5644461	Bracket	1	53	5644881	FH Screw (1/4"-20 x 1/2")	4
16	5644471	Spring	2	54	5644891	Spring Pin (Ø5 x 20)	4
17	5644481	Keeper	2	55	5644911	Trunnion Shoe	1
18	5644491	Sheave	2	56	J-5644921	Sector Gear	1
19	5644511	Hex Cap Bolt (1/4"-20 x 5/8")	2	57	5644931	Table Lock Handle	1
20	5644521	Washer (1/4")	2	58	5644941	Pointer	1
21	5644531	Hex Nut (1/4")	4	59	5644951	Round HD Screw (M4 x 0.7p x 6)	1
22	5644541	Shaft (Pin)	1	60	5644961	Worm Gear	1
23	5644551	Hex Cap Bolt (1/4"-20 x 1-1/2")	1	61	5644971	Spring Pin (Ø4 x 20)	1
24	5644561	Hex Nut (1/4")	1	62	5644981	Shaft	1
25	5644571	Wire Rope	1	63	5644991	Hex Socket Set Screw (5/16"-18 x 3/4")	2
26	5644581	Hex Cap Bolt (5/16"-18 x 1-3/4")	1	64	5645011	Crank Wheel	1
26-1	5644581A	Hex Nut (5/16")	2	65	5645021	Knob	1
27	5644591	Handle	1	66	J-5645031	Bracket	1
28	5644611	Crank Wheel	1	67	5645041	Protractor	1
29	5644621	Hex Socket Set Screw (5/16"-18 x 3/4")	6	68	5645051	Drive Rivet	3
30	J-5644631	Shaft Guide	1	69	5645061	Hex Cap Bolt (3/16"-24 x 3/4")	1
31	5644641	Hex Cap Bolt (1/4"-20 x 1")	4	70	5645071	Hex Nut (3/16")	1
32	5644651	Lock Washer (1/4")	6	74	5645121	Flat Washer (3/8")	4
33	5644661	Shaft	1	75	5645131	Hex Nut (3/8")	4
34	5644671	Special Washer	2	76	5645141	Hex Cap Bolt	
35	5644681	Spring Pin (Ø4 x 20)	1				
36	5644691	Worm, Pinion	1				
37	5644711	Worm Gear	1				

Note: When ordering parts, please use your grinder serial number as a reference number.

## Parts List - Upper Saw Head

ITEM NO.	PART NO.	DESCRIPTION	QTY	ITEM NO.	PART NO.	DESCRIPTION	QTY
		(3/8"-16 x 1-1/2")	4	110	5514789	Hex Cap Bolt (1/4"-20 x 1")	2
77	5645151	Flat Washer (3/8")	8	111	5514796	Spring Pin (Ø5 x 20)	1
78	J-5645161	Motor	1	112	5514797	Sleeve (1/2")	1
80	5645181	Electric Cord	1	113	5514800	Connector (MG20A)	1
81	5645191	Key (7 x 7 x 30)	1	114	5514801	90° Connector (1/2")	1
82	5645211	Socket Hex Cap Screw (3/8"-16 x 7/8")	3	115	5514802	Connector (S-FZS21-21-1/2")	1
83	5645221	Lock Washer (3/8")	3	116	5645500	Spring Pin (Ø3 x 16)	1
84	J-5645231	Hub	1	117	5514808	Spring	2
85	5645241	Drive Disc	1	118	5645501	Brass Pin	2
86	5645251	Clamp Washer	1	119	5646000	Miter Gauge Whole Assembly (item #119-1 to #119-11)	1
87	5645261	Socket Hex Cap Screw (1/4"-20 x 3/4")	1				
88	5645271	Sanding Paper 36 grit	1	119-1	5646001	Knob	1
	5645281	Sanding Paper 50 grit	1	119-2	TS-2205201	Hex Cap Screw (M5-0.8p x 20)	3
	5645291	Sanding Paper 80 grit	1	119-3	TS-1540031	Hex Nut (M5)	3
	5645311	Sanding Paper 120 grit	1	119-4	5646002	Miter Gauge	1
89	J-5645321	Disc Guard	1	119-5	5646003	Pointer	1
90	J-5645331	LH Guard Arm	1	119-6	5646004	Roll Pin (Ø3 x 6)	1
91	J-5645341	RH Guard Arm	1				
92	5645351	Hex Cap Bolt (1/4"-20 x 5/8")	4	119-7	5646005	Stop Link	1
93	5645361	Lock Washer (1/4")	4	119-8	TS-0267021	Socket Set Screw (1/4"-20 x 1/4")	1
94	J-5645371	Bracket	2	119-9	5646006	Guide Bar	1
95	5645381	Hex Cap Bolt (1/4"-20 x 1")	2	119-10	5646007	Flat Head Screw (1/4"-20 x 5/16")	1
96	5645391	Flat Washer (1/4")	4	119-11	5646008	Guide Disc	1
97	5645411	Hex Cap Bolt (1/4"-20 x 1-1/2")	2				
99	5645431	Hex Nut (1/4")	2				
100	5645441	Hex Cap Bolt (1/4"-20 x 1")	2				
101	J-5645451	Magnetic Switch Arm	1				
102	5645461	Hex Cap Bolt (1/4"-20 x 1")	2				
103	5645471	LVP Switch	1				
104	5645481	Switch Screw (3/16"-24 x 3/4")	2				
105	9139061	Motor Cable (220V cut coil)	1				
	9139071	Motor Cable (not shown) (440V cut coil)	1				
106	J-5514646	Dust Chute	1				
107	5507491	Hose Adapter (1.5 to 3 inch)	1				
108	5507546	Cooling fan and cover (not shown)	1				
109	J-5507545	Junction Box	1				

Note: When ordering parts, please use your grinder serial number as a reference number.