

SENCO®



PalletPro™ 100



Parts Reference Guide



**Repair Kit
YK0777**

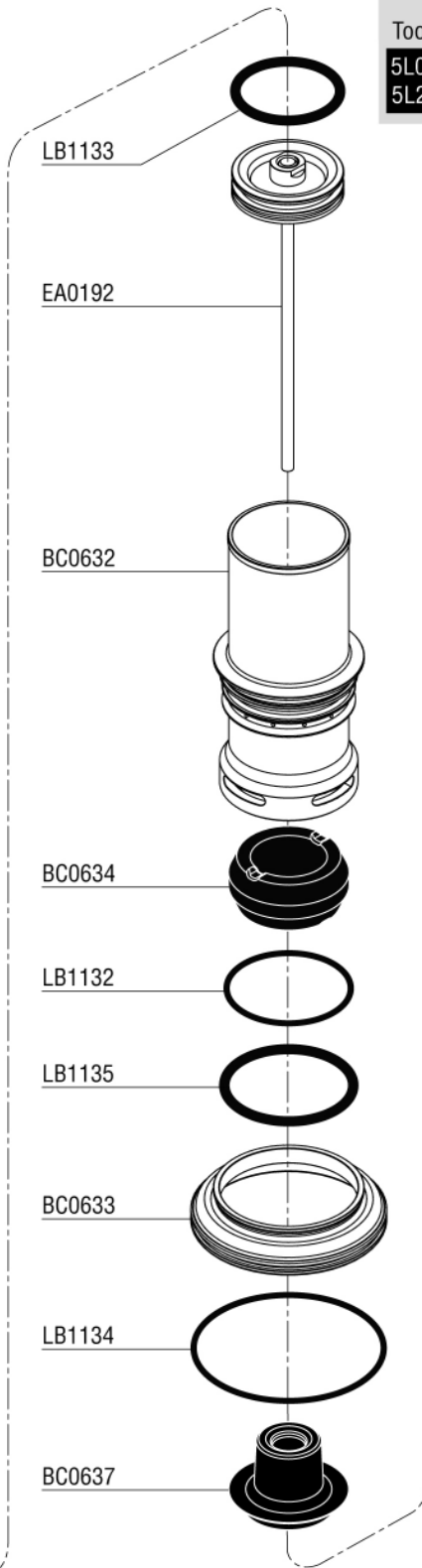
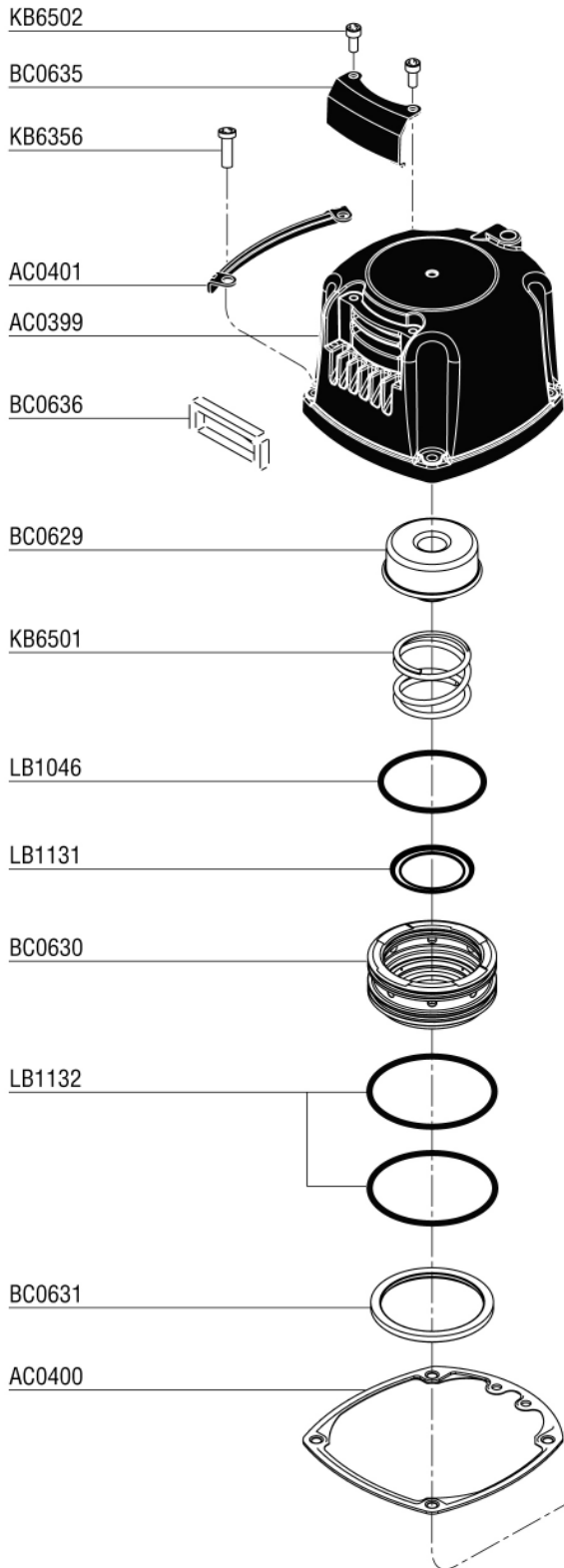


*** Schematic drawings inside**

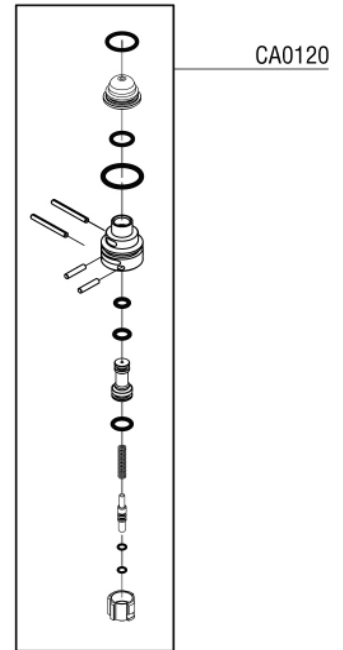
Senco Products Inc.
8485 Broadwell Road
Cincinnati, Ohio 45244
Visit Our Website: www.senco.com

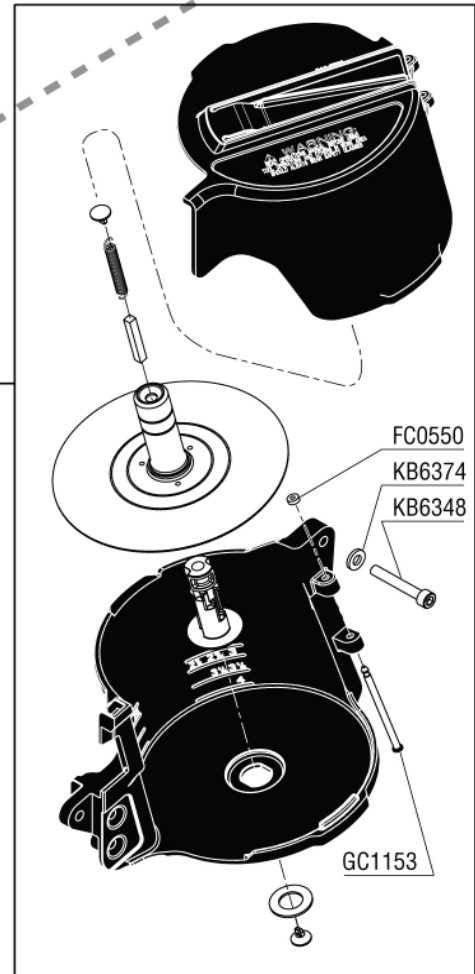
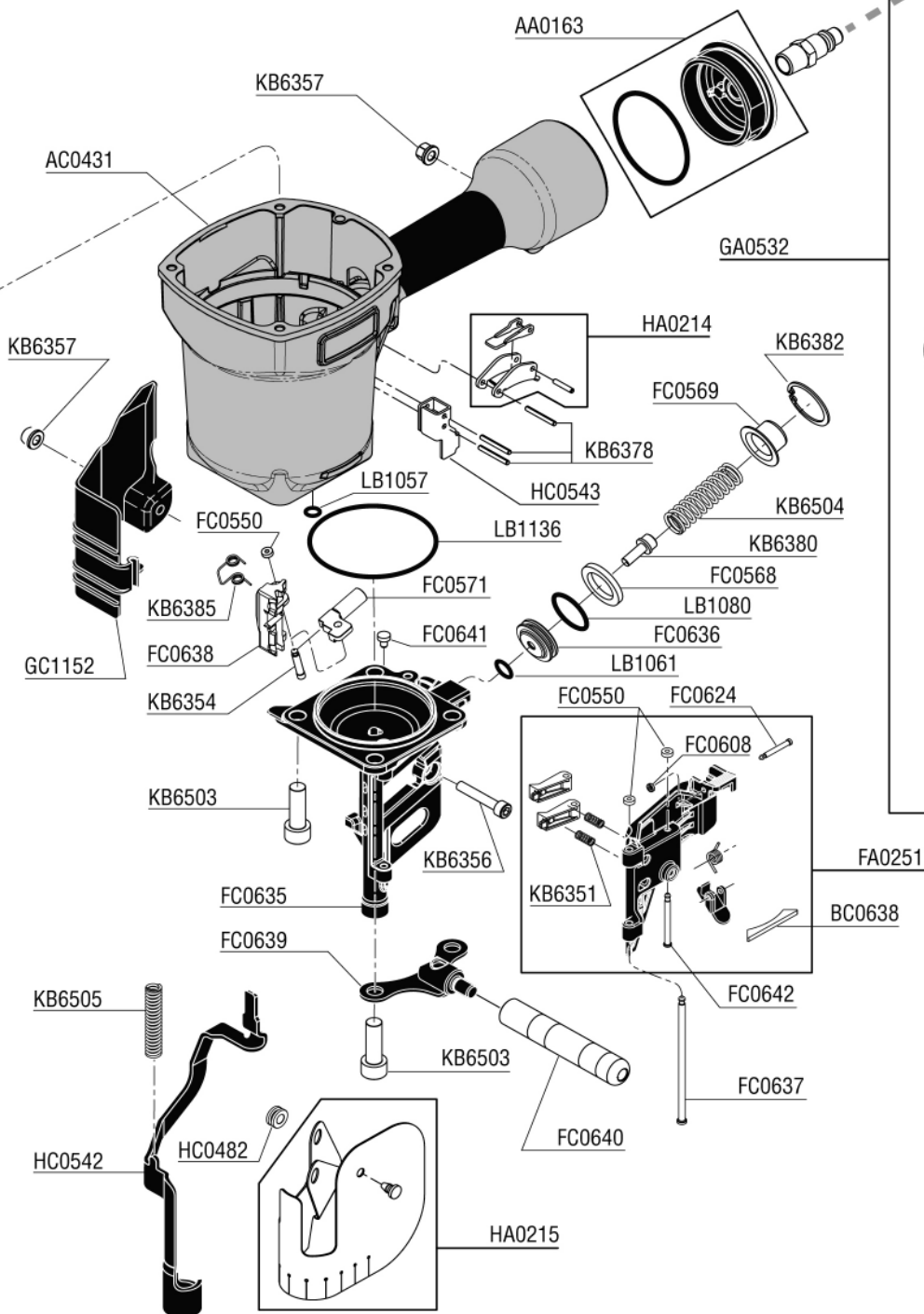
Questions? Comments? call SENCO's toll-free Action-line:
1-800-543-4596 (North and South America Only)
or e-mail: toolprof@senco.com

NFG05L Revised July 29, 2008 (Replaces 6/26/08) © 2008 by SENCO Products, Inc. Cincinnati, Ohio 45244 - U.S.A.



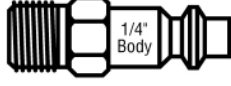

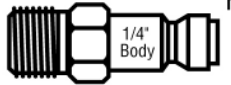

Tool #	Model
5L0001N	CONTACT ACTUATION
5L2001N	CONTACT ACTUATION





Available Plugs

(Not Included with Tool)

	PC0479 ✓
	1/4" Body
	Ind. Interchange 1/4"
	PC0486
	3/8" Body
	Ind. Interchange 1/4"
	PC0468 ✓
	1/4" Body
	Tru-Flate 1/4"
	PC0474
	3/8" Body
	Tru-Flate 1/4" NPT

✓ **Recommended Plugs**
Plugs shown smaller than actual size

PalletPro™ 100

REPLACEMENT PARTS LIST • LISTA DE PARTES DE REPUESTO • ERSATSTEILE-LISTE • LISTE DE PIÈCES DE RECHANGE

PART NO.	DESCRIPTION	DESCRIPCIÓN	BESCHREIBUNG	DÉSIGNATION
AA0163	CAP	TAPA	KAPPE	BOUCHON
AC0399	CAP	TAPA	KAPPE	BOUCHON
AC0400	SEAL, CYLINDER CAP	SELLO	DICHTUNG	JOINT
AC0401	COVER	PLACA	SCHUTZPLATTE	BOUCHIER ANTIABRASIF
AC0431	MAIN BODY	CARCASA	GEHÄUSE	CORPS
BC0629	SEAL	SELLO	DICHTUNG	JOINT
BC0630	VALVE	VÁLVULA	VENTIL	VALVE
BC0631	CYLINDER COLLAR	CILINDRO	ZYLINDER	CYLINDRE
BC0632	CYLINDER	CILINDRO	ZYLINDER	CYLINDRE
BC0633	SPACER, CYLINDER	SEPARADOR	DISTANZSTÜCK	ENRETOISE
BC0634	STOP, PISTON	TOPPE	PUFFER	ARRÊT
BC0635	DEFLECTOR	DESVIADOR	ABWEISER	DÉFLECTEUR
BC0636	MUFFLER	SILENCIADOR	DÄMPFER	SILENCIEUX
BC0637	STOP, PISTON	TOPPE	PUFFER	ARRÊT
BC0638	SEAL	SELLO	DICHTUNG	JOINT
CA0120	VALVE ASSEMBLY	ASAMBLE DE VALVULA	VENTIL-ZUSAMMENBAU	VALVE D'ASSEMBLÉE
EA0192	DRIVER ASSY	PERCUSOR	TREIBER	COUTEAU
FA0251	DOOR	PUERTA	ABDECKSCHIEBER	PORTE
FC0550	RETAINER	JUNTA TÓRICA	SICHERUNGSRING	RETENUE
FC0568	STOP	TOPPE	PUFFER	ARRÊT
FC0569	CAP	TAPA	KAPPE	BOUCHON
FC0571	PISTON, FEED	PISTON	KOLBEN	PISTON
FC0608	RETAINER	JUNTA TÓRICA	SICHERUNGSRING	RETENUE
FC0624	PIN	PASADOR	STIFT	GOUPILLE
FC0635	GUIDE BODY	PLACA DE NARIZ	NAGELFÜHRUNG	FRONT
FC0636	PISTON, FEED	PISTON	KOLBEN	PISTON
FC0637	PIN	PASADOR	STIFT	GOUPILLE
FC0638	FEED PAWL	ALIMENTADOR	VORSCHIEBER	POUSSOIR
FC0639	PLATE	PLACA	PLATTE	PLAQUE
FC0640	HANDLE	MANIJA	HANDGRIFF	POIGNÉE
FC0641	RETAINER	JUNTA TÓRICA	SICHERUNGSRING	RETENUE
FC0642	PIN	PASADOR	STIFT	GOUPILLE
GA0532	MAGAZINE ASY	CARGADOR	MAGAZIN	MAGASIN
GC1152	COVER	CUBIERTA	ABDECKUNG	COUVERCLE
GC1153	PIN	PASADOR	STIFT	GOUPILLE
HA0214	TRIGGER ASSEMBLY	ASAMBLE DE GATILLO	AUSLÖSER-ZUSAMMENBAU	GÂCHETTE D'ASSEMBLÉE
HA0215	COVER	CUBIERTA	ABDECKUNG	COUVERCLE
HC0482	RING	ANILLO	REIFEN	ANNEAU
HC0542	SAFETY ELEMENT	SEGURO	SICHERHEITSVORRICHTUNG	PALPEUR DE SÉCURITÉ
HC0543	SAFETY ELEMENT	SEGURO	SICHERHEITSVORRICHTUNG	PALPEUR DE SÉCURITÉ
KB6348	SCREW	TORNILLO	SCHRAUBE	VIS
KB6351	SPRING	RESORTE	FEDER	RESSORT
KB6354	PIN	PASADOR	STIFT	GOUPILLE
KB6356	SCREW	TORNILLO	SCHRAUBE	VIS
KB6357	NUT	TUERCA	MUTTE	ÉCROU
KB6374	WASHER	ARANDELA	SCHEIBE	RONDELLE
KB6378	PIN	PASADOR	STIFT	GOUPILLE
KB6380	SCREW	TORNILLO	SCHRAUBE	VIS
KB6382	RING	ANILLO	REIFEN	ANNEAU
KB6385	SPRING	RESORTE	FEDER	RESSORT
KB6501	SPRING	RESORTE	FEDER	RESSORT
KB6502	SCREW	TORNILLO	SCHRAUBE	VIS
KB6503	SCREW	TORNILLO	SCHRAUBE	VIS
KB6504	SPRING	RESORTE	FEDER	RESSORT
KB6505	SPRING	RESORTE	FEDER	RESSORT
LB1046	SEAL	SELLO	DICHTUNG	JOINT
LB1057	SEAL	SELLO	DICHTUNG	JOINT
LB1061	SEAL	SELLO	DICHTUNG	JOINT
LB1080	SEAL	SELLO	DICHTUNG	JOINT
LB1131	SEAL	SELLO	DICHTUNG	JOINT
LB1132	SEAL	SELLO	DICHTUNG	JOINT
LB1133	SEAL	SELLO	DICHTUNG	JOINT
LB1134	SEAL	SELLO	DICHTUNG	JOINT
LB1135	SEAL	SELLO	DICHTUNG	JOINT
LB1136	SEAL	SELLO	DICHTUNG	JOINT