



# SERVICE PARTS LIST

**BULLETIN NO.**  
**54-38-0410**

SPECIFY CATALOG NO. AND SERIAL NO. WHEN ORDERING PARTS		REVISED BULLETIN	DATE
1/4 Sheet Sander			Apr. 2011
CATALOG NO. 6020-21	STARTING SERIAL NUMBER B18A	WIRING INSTRUCTION SEE REVERSE	

**EXAMPLE:**  
Component Parts (Small #)  
Are Included When Ordering  
The Assembly (Large #).

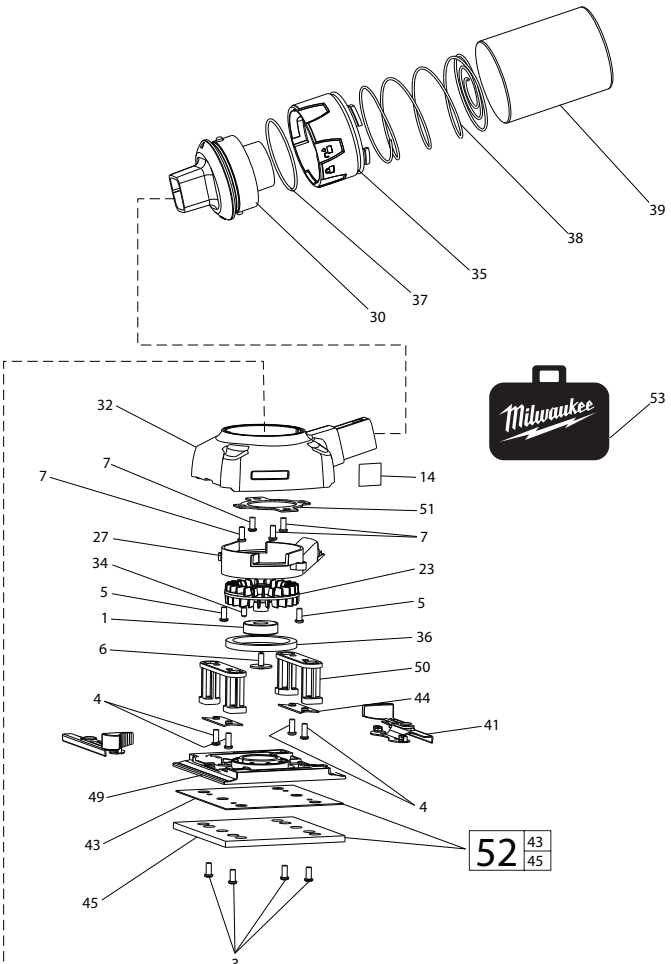
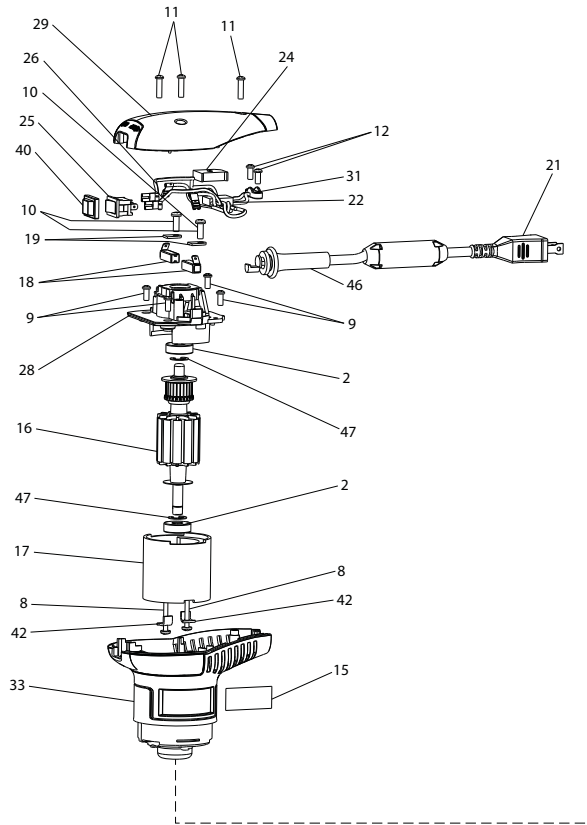


FIG.	PART NO.	DESCRIPTION OF PART	NO. REQ.
1	02-04-5155	Bearing	1
2	02-04-5165	Bearing	2
3	05-74-0305	Screw, Torx, T20	4
4	05-81-0195	Screw	4
5	06-81-0115	Screw, Torx, T15	2
6	06-81-0120	Screw, w/Washer, Torx, T25, 10-32 UNF-2A x 1/2"	1
7	06-81-0125	Screw, w/Spring Washer, T15	4
8	06-81-0130	Screw, Torx, T20	2
9	06-81-0135	Screw, Torx, T20	4
10	06-81-0140	Screw, Torx, T20	2
11	06-81-0145	Screw, Torx, T15	3
12	06-81-0150	Screw, Torx, T15	2
14	10-98-6045	Warning Label, Multi-Lingual	1
15	12-20-6045	Service Nameplate	1
16	16-10-0631	Armature	1
17	18-10-0141	Field	1
18	22-18-1170	Carbon Brush Assembly w/Shunt Wire	2
19	22-38-0180	Brush Clamp	2
20	22-56-0150	Wire Connector (see wiring)	2
21	22-64-1210	Cord	1
22	22-80-0105	Moles Assembly	1
23	22-84-0835	Fan	1
24	23-38-2855	Rectifier	1
25	23-66-1661	Switch	1
26	23-94-2660	Switch Wire Harness	1
27	31-05-0420	Fan Baffle	1
28	31-12-0390	Bearing Housing	1
29	31-12-0395	Top Cap	1
30	31-15-1525	Dust Chute	1

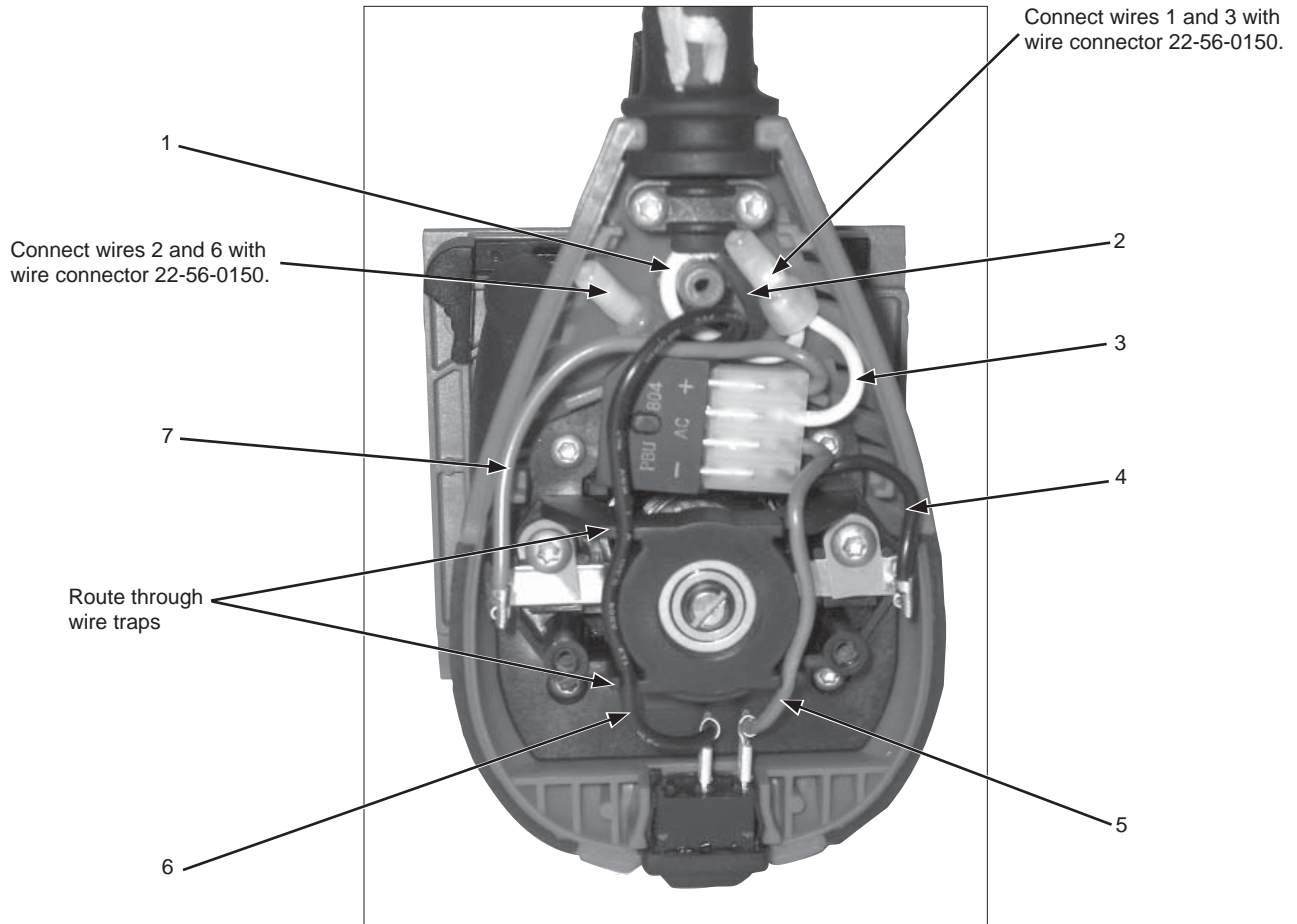
FIG.	PART NO.	DESCRIPTION OF PART	NO. REQ.
31	31-17-0530	Cord Clamp	1
32	31-50-2110	Housing	1
33	31-50-2115	Housing Motor	1
34	31-53-0240	Plug	1
35	31-58-0690	Dust Bag Locking Ring	1
36	31-76-0155	Dust Shield	1
37	34-40-1870	Dust Chute O-Ring	1
38	40-50-1110	Compression Spring	1
39	42-16-0570	Dust Bag	1
40	42-38-0405	Switch Boot	1
41	42-68-1045	Paper Clamp	2
42	42-70-1005	Field Retaining Clip	2
43	-----	Aluminum Plate	1
44	44-52-0960	Retaining Clip	2
45	-----	Sanding Pad	1
46	44-76-0315	Strain Relief	1
47	44-86-1380	Retaining Ring	2
49	45-60-0675	Pad	1
50	45-60-0685	Cushion Post	2
51	45-88-1480	Motor Housing Shim	1
52	14-67-0270	Sanding Pad Service Kit	1
53	42-55-6020	Carrying Case	1
	44-66-5905	Plastic Paper Punch (Not Shown)	1

# WIRING INSTRUCTIONS

**NOTE:**

As an aid to reassembly, take note of the wire routings and position of the wires in the wire guides and wire guides traps prior to dismantling the tool.

Watch for pinched wires when placing the handle cover back over the housing assembly.



**NOTE:**  
All leads must be held to  $\pm 1/16"$ .  
All lead lengths are before stripping.

WIRING SPECIFICATIONS			
Wire No.	Wire Color	Origin or Gauge	Terminals, Connectors and 1 or 2 End Wire Preparation
1	White	22-64-1210	Power Cord
2	Black	22-64-1210	Power Cord
3	White	22-80-0105	Moles Assembly
4	Black	22-80-0105	Moles Assembly
5	Brown	22-80-0105	Moles Assembly
6	Black	23-94-2660	Switch Wire Harness
7	Red	22-80-0105	Moles Assembly

**BULK LEAD WIRE - BULLETIN 58-01-0003**

TERMINAL DESCRIPTION		
Code	Part No.	Qty.