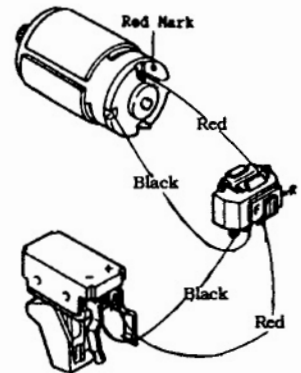


### WIRING DIAGRAM



**IMPORTANT** — To assure product **SAFETY** and **RELIABILITY**, repairs, maintenance or adjustments should be performed by **MAKITA** Service Centers or other qualified service organizations. Always use **MAKITA** replacement parts.

Fig.	Part No.	Qty. Used	Description	Fig.	Part No.	Qty. Used	Description
1	911143-2	6	P.H. SCREW M4X22	28	226233-1	1	SPUR GEAR 89
2	911163-6	2	P.H. SCREW M4X35	29	216011-7	4	STEEL BALL
3	182141-5	1	HOUSING SET (Incl. Fig. 44)	30	223086-9	1	CLUTCH CAM
4	343421-6	2	GUIDE PLATE	31	231927-5	1	SPRING 16-21
5	343410-1	1	CAM PLATE	32	256101-4	1	PIN 3
6	251322-3	2	P.H. SCREW M5X12	33	257141-5	1	RING 8
7	414239-3	1	CHANGE RING	34	341902-4	1	DISC
9	265998-0	1	C.H.S. SCREW M5X21	35	216401-4	1	T.N. GAUGE 1023
10	321995-7	1	SPINDLE	36	267076-2	1	FLAT WASHER 8
11	211061-7	1	BALL BEARING 6000LLB	37	164840-1	1	SLIDER
12	961015-1	1	STOP RING E-9	38	226062-2	1	GEAR COMPLETE 12-28
13	231250-8	1	COMPRESSION SPRING 10	39	214019-5	1	PLANE BEARING 4
14	253330-0	1	THIN WASHER 10	40	256119-5	1	PIN 3
15	221862-5	1	SPUR GEAR 78	41	168096-8	1	SHIFTER
16	257073-6	1	RING 16	42	232053-3	1	LEAF SPRING
17	221884-5	1	SPUR GEAR 93	43	411640-3	1	HOLDER 6
18	253330-0	1	THIN WASHER 10	44	182141-5	1	HOUSING SET (Incl. Fig. 3)
19	231250-8	1	COMPRESSION SPRING 10	45	651872-2	1	SWITCH ASSEMBLY
20	253807-5	1	FLAT WASHER 5	47	163157-9	1	SET PLATE
21	214017-9	1	PLANE BEARING 5				
22	629581-1	1	DC MOTOR 9.6V (Incl. Spur Gear, 221882-9)	<b>ACCESSORIES</b>			
23	651343-9	1	SWITCH ASSEMBLY	400	784203-1	1	PHILLIPS BIT NO. 2
24	961002-0	1	RETAINING RING S-6	402	824393-9	1	PLASTIC CASE
25	253842-3	1	FLAT WASHER 14	403	113103-2	1	CHARGER 7.2V/9.6V
26	211016-2	1	BALL BEARING 626LLB	404	632007-4	1	BATTERY 9.6V.D.C.
27	253804-1	1	FLAT WASHER 6	405	763101-2	1	KEYLESS CHUCK

2 Model 6905D  
Model 6095DW

03-95