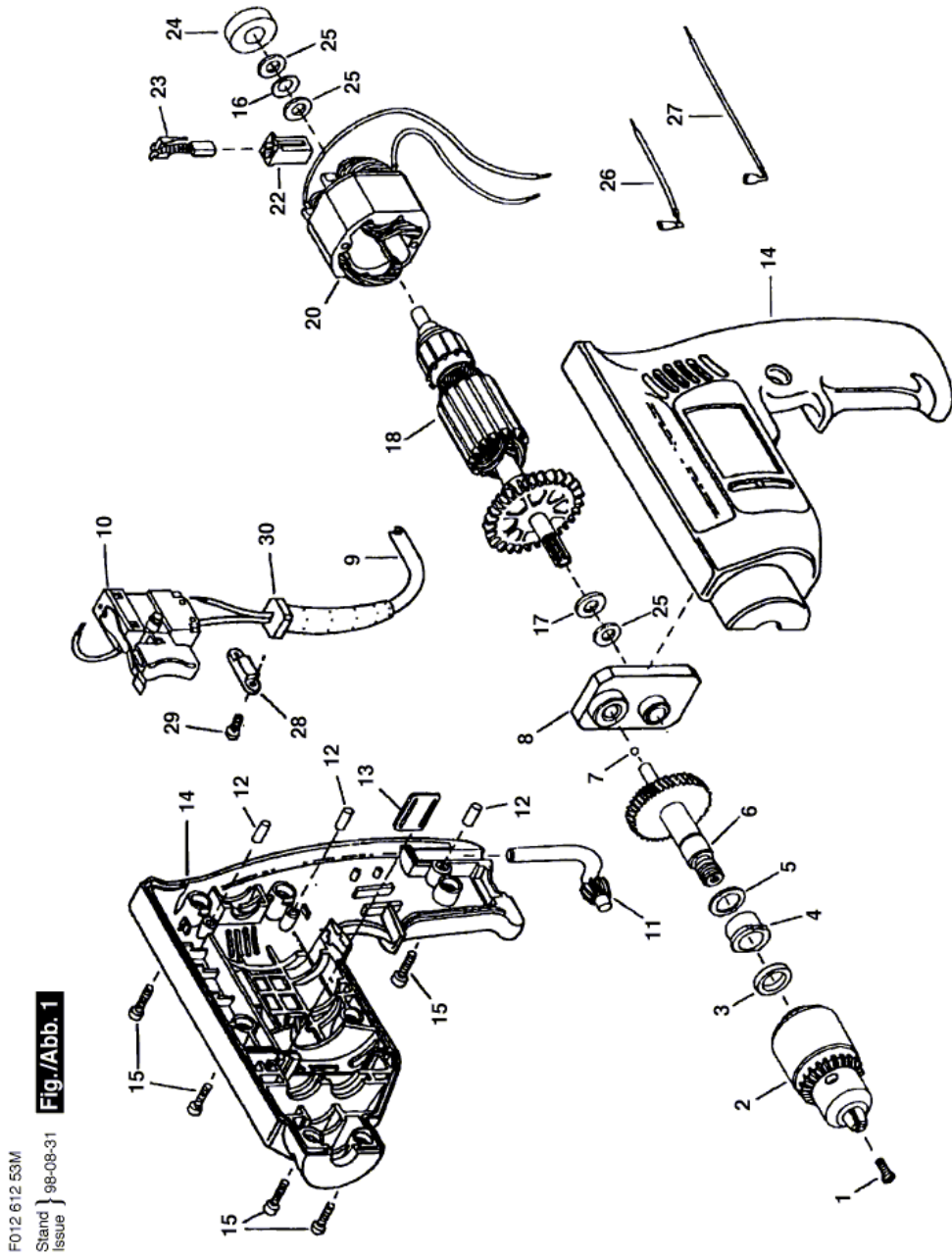


Drill - F 012 612 53M - 6125-80

Item	Part Number	Description	Illustration	Price	Quantity	Price Group
1	2 610 068 005	Screw	1	-,-	1	11
2	2 610 067 974	Chuck 3/8"	1	-,-	1	31
3	2 610 017 642	Washer	1	-,-	1	10
4	2 610 352 019	Flanged Bearing	1	-,-	1	11
5	2 610 347 358	Washer	1	-,-	1	11
6	2 610 993 502	Spindle	1	-,-	1	21
7	2 610 002 144	Ball	1	-,-	1	11
8	2 610 347 363	Bearing Housing	1	-,-	1	21
9	2 610 901 979	Power supply cord EU ca 1,8m 2 x 1mm H05VV-F	1	-,-	1	26
10	2 610 346 603	On-Off Switch	1	-,-	1	26
11	2 610 315 835	Key	1	-,-	1	19
12	2 610 028 780	Plug	1	-,-	3	11
13	2 610 347 349	Reference Plate	1	-,-	1	15
14	2 610 910 188	Housing Set	1	-,-	1	27
15	1 619 X00 504	Screw	1	-,-	7	10
16	2 610 026 126	Washer	1	-,-	1	11
17	2 610 346 380	Washer	1	-,-	1	11
18	2 610 346 459	Armature 230V	1	-,-	1	33
20	2 610 353 992	Field 230V	1	-,-	1	28
22	2 610 320 548	Brush Holder	1	-,-	2	13
23	2 610 994 016	Carbon-Brush Set	1	-,-	1	21
24	2 610 351 348	Bushing	1	-,-	1	13
25	2 610 027 396	Washer	1	-,-	3	11
26	2 610 039 904	Connecting Wire 130 MM BLACK	1	-,-	1	11
27	2 610 320 494	Connecting Wire 50 MM	1	-,-	1	11
28	2 610 064 973	Cable Grip	1	-,-	1	11
29	2 610 315 386	Screw ST3,9x19	1	-,-	2	11
30	2 610 360 176	Grommet	1	-,-	1	11

Illustration - Type E



F012 612 53M

Fig./Abb. 1

Stand } 98-08-31
Issue }

Information subject to change without further notice.