



SERVICE PARTS LIST

BULLETIN NO.
54-40-0650

SPECIFY CATALOG NO. AND SERIAL NO. WHEN ORDERING PARTS		REVISED BULLETIN	DATE
14" ABRASIVE CUT-OFF MACHINE			Nov. 2004
CATALOG NO.	6176-20	STARTING SERIAL NO.	968A
			WIRING INSTRUCTION 58-01-0546

00 0

EXAMPLE:

Component Parts (Small #) Are Included
When Ordering The Assembly (Large #).

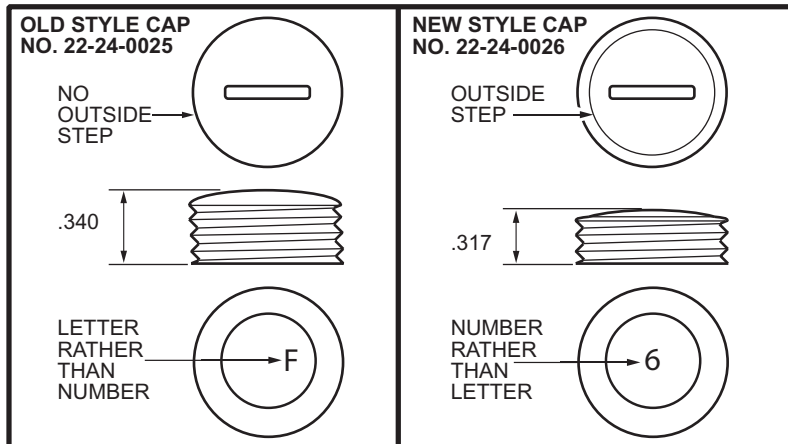
FIG. PART NO.	DESCRIPTION OF PART	QTY.
1 05-81-0475	Pan Screw M5 x 10	(2)
2 42-92-0515	Rear Cover	(1)
3 -----	Clamp Screw M5 x 6 (Incl. w/Fig. 109)	(2)
4 -----	Motor Housing (Incl. w/Fig. 109)	(1)
5 22-24-0025	Brush Holder Cap	(2)
5a 22-24-0026	Brush Holder Cap (Incl. w/Fig. 109)	(2)
6 22-16-0035	Carbon Brush	(2)
7 -----	Brush Holder (Incl. w/Fig. 109)	(2)
8 05-81-0520	Pan Head Screw M5 x 20 Phillips	(4)
9 05-90-0020	Spring Washer	(4)
10 43-74-0015	Chain Hook	(1)
11 18-82-0015	Service Field	(1)
12 45-12-0560	Field Plate (Incl. w/Fig. 109)	(2)
13 05-81-0680	Pan Head Screw M5 x 70	(2)
14 31-05-0015	Fan Baffle	(1)
15 45-88-0135	Wave Washer	(1)
16 02-04-0015	Ball Bearing	(1)
17 16-82-0015	Service Armature	(1)
18 02-04-0025	Ball Bearing	(1)
19 05-90-0010	Spring Washer	(1)
20 05-81-0477	Pan Head Screw M5 x 10 (Green)	(1)
21 44-76-0101	Cord Protector	(2)
22 44-76-0102	Cord Shell	(1)
23 22-64-0050	Cord Assembly	(1)
24 05-55-0010	Hex Nut M4 x 5	(2)
25 05-55-0030	Hex Nut M5 x 5	(4)
26 31-44-0015	Top Handle Left	(1)
27 31-44-0025	Top Handle Right	(1)
28 05-81-0775	Pan Head Screw M5 x 30	(2)
29 05-81-0810	Pan Head Screw M4 x 28	(2)
30 12-99-0188	Service Nameplate	(1)
31 -----	Upper Arm (Incl. w/Fig. 110)	(1)
32 44-76-0060	Cord Holder	(1)
33 44-76-0065	Cord Clamp	(1)
34 05-78-0015	Screw M4x16	(2)
35 40-50-0115	Torsion Spring B	(1)
36 06-65-0015	Hinge Core	(1)
37 42-36-0035	Hinge Core Cover	(2)
38 05-90-0175	Spring Lockwasher	(3)
39 05-75-0045	Socket Head Bolt M10 x 45	(2)
40 05-81-0790	Pan Head Screw M5 x 25	(1)
41 -----	Handle Left (Incl. w/Fig. 108)	(1)
42 05-81-0775	Pan Head Screw M5 x 30	(1)
43 05-81-0795	Pan Head Screw M4 x 10	(1)
44 05-90-0010	Spring Washer	(1)
45 -----	Switch (Incl. w/Fig. 108)	(1)
46 -----	Handle Right (Incl. w/Fig. 108)	(1)
47 42-42-0015	Rubber Plug	(1)
48 05-81-0520	Phillips Pan Head Screw M5 x 20	(4)
49 42-42-0025	Rubber Plug	(1)
50 44-60-0035	Locker Shaft	(1)
51 42-36-0055	Locker Plate	(2)
52 34-60-0015	E Clamp	(1)
53 40-50-0125	Spring	(1)
54 02-04-0035	Ball Bearing	(1)

FIG. PART NO.	DESCRIPTION OF PART	QTY.
55 32-75-0015	Gear	(1)
56 05-92-0030	Retaining Ring	(1)
57 02-04-0045	Ball Bearing	(1)
58 05-42-0015	Key	(1)
59 38-50-0055	Spindle	(1)
60 43-54-0015	Safety Cover Assy.	(1)
61 05-90-0020	Spring Washer	(4)
62 05-81-0475	Machine Screw M5 x 10	(4)
64 43-34-0015	Flange	(2)
65 -----	Abrasive Wheel	(1)
66 45-88-0015	Flat Washer	(1)
67 05-90-0175	Lock Washer	(1)
68 05-75-0015	Hex Head Screw M10 x 25	(1)
71 45-84-0015	Handle Assembly	(1)
73 44-40-0015	Vise	(1)
74 42-60-0025	Chain	(1)
75 05-75-0025	Hex Head Bolt M8 x 30	(2)
76 45-88-0025	Washer	(1)
77 44-64-0015	Pivot	(1)
78 05-92-0045	Retaining Ring	(1)
79 45-88-8420	Washer	(2)
80 05-90-0175	Spring Lockwasher	(2)
81 05-75-0015	Hex Head Bolt M10 x 30	(2)
82 42-65-0015	Guide Plate	(1)
83 06-65-0016	Cotter Pin	(1)
84 45-88-0745	Washer	(1)
85 44-66-0015	Vise Plate	(1)
86 05-75-0035	Adjusting Bolt M10 x 55	(1)
87 05-55-0015	Nut M10 x 14	(1)
88 45-04-0725	Screw 3/16 x 1/4	(2)
89 43-54-0045	Chip Protector	(1)
90 05-81-0900	Machine Screw M8 x 30	(3)
91 05-90-0030	Spring Washer	(3)
92 45-88-0755	Washer	(3)
93 44-34-0015	Rubber Foot	(3)
94 10-15-0425	Warning Label	(1)
95 31-06-0015	Base	(1)
96 49-96-6176	Wrench	(1)
97 05-55-0015	Nut M10 x 14	(1)
98 06-72-1720	Service Rivet	(4)
99 42-68-0025	Vise Guide	(1)
100 43-77-0020	Wrench Holder	(1)
101 05-90-0030	Spring Washer	(2)
102 05-75-0030	M8 x 30 Bolt	(2)
103 05-81-0905	Pan Head Screw M8 x 16	(1)
104 05-90-0030	Spring Washer	(1)
105 45-88-0755	Washer	(1)
106 44-04-0015	Iron Foot	(1)
107 05-81-0805	Pan Head Screw M4 x 10	(2)
108 14-46-6176	Handle Half Kit	(1)
109 14-46-1220	Motor Housing Kit	(1)
110 14-46-1225	Upper Arm Kit	(1)
111 10-20-3055	Blade Warning Label	(1)

FIG. LUBRICATION

31 1 Oz. Type "E" Grease, No. 49-08-4122.

◆ = Component of the 14-46-1220 Motor Housing Kit.



MILWAUKEE ELECTRIC TOOL CORPORATION

13135 W. Lisbon Road., Brookfield, WI 53005

Drwg. 11

See detail on the front page

