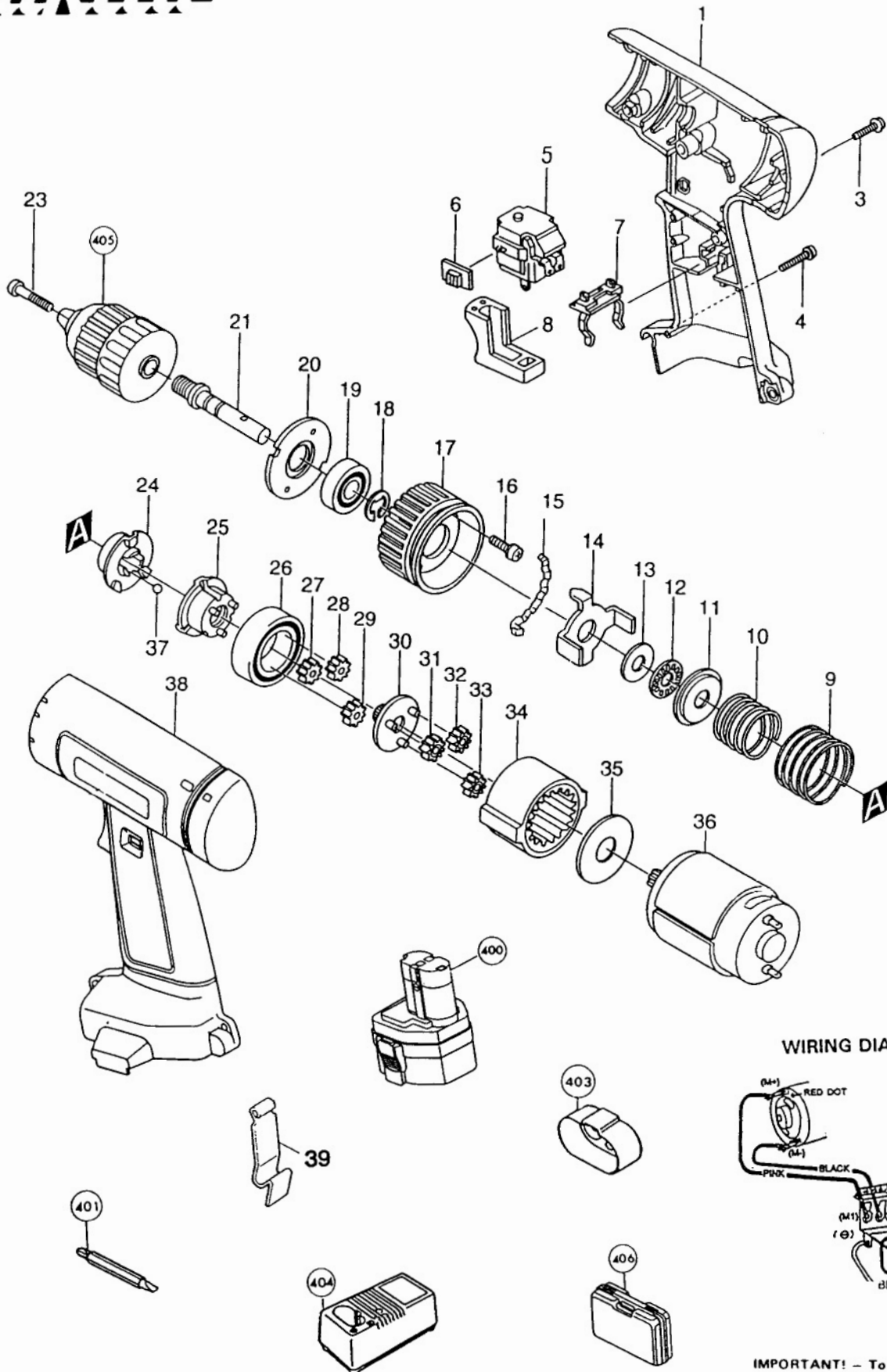


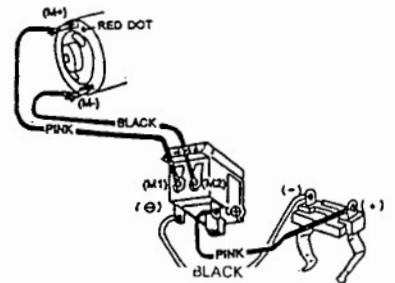


3/8" (10MM) CORDLESS DRIVER DRILL

Model 6223DWE



WIRING DIAGRAM



IMPORTANT! - To assure product SAFETY and RELIABILITY, repairs should be performed by MAKITA Service Centers or other qualified service organizations. Always use MAKITA replacement parts.

Fig.	Part No.	Qty. Used	Description	Fig.	Part No.	Qty. Used	Description
1	182961-7	1	HOUSING SET (Incl. Fig. 38)	26	211375-4	1	BALL BEARING 6805LLB
3	265995-6	6	TAPPING SCREW 4x18	27	226284-4	1	SPUR GEAR 15
4	911143-2	1	P.H.SCREW M4x22	28	226284-4	1	SPUR GEAR 15
5	651909-5	1	SWITCH C3KE	29	226284-4	1	SPUR GEAR 15
6	414740-8	1	LEVER	30	153228-0	1	SPUR GEAR 9 Cpl.
7	643909-9	1	BATTERY HOLDER	31	226283-6	1	SPUR GEAR 15
8	414708-4	1	SWITCH LEVER	32	226283-6	1	SPUR GEAR 15
9	233044-7	1	COMPRESSION SPRING 27	33	226283-6	1	SPUR GEAR 15
10	233196-4	1	COMPRESSION SPRING 22	34	226285-2	1	INTERNAL GEAR 42
11	267705-7	1	WASHER 10	35	267067-3	1	FLAT WASHER 12
12	216401-4	1	THRUST NEEDLE GAUGE 1023	36	629720-3	1	DC MOTOR (Incl. 226281-0 Spur Gear 9)
13	253180-3	1	FLAT WASHER 10	37	216011-7	3	STEEL BALL 5.6
14	165087-0	1	SLIDER	38	182961-7	1	HOUSING SET (Incl. Fig. 1)
15	344131-8	2	CAM PLATE	39	343579-1	1	SET PLATE
16	911023-2	2	P.H.SCREW M3x14	ACCESSORIES			
17	415515-8	1	CHANGE RING	400	192681-5	1	BATTERY 1220
18	961015-1	1	STOP RING E-9	401	784636-0	1	PHILLIPS/SLOTTED BIT 2-65
19	211061-7	1	BALL BEARING 6000LLB	403	414938-7	1	BATTERY COVER
20	285678-2	1	BEARING RETAINER 14	404	113119-7	1	DC1290 FAST CHARGER
21	322880-7	1	SPINDLE	405	763083-8	1	KEYLESS CHUCK
23	251451-2	1	P.H.SCREW M5x22	406	824510-1	1	PLASTIC CARRYING CASE
24	223115-8	1	CLUTCH CAM				
25	153229-8	1	CLUTCH CAM Cpl.				

2 Model 6223DWE

08-98