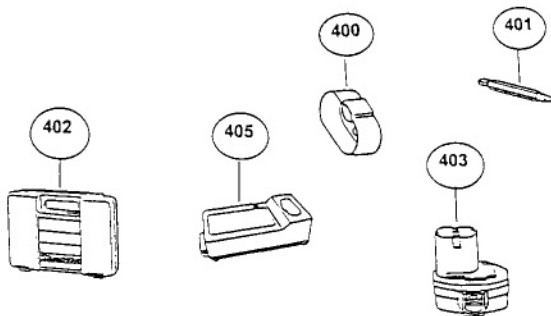
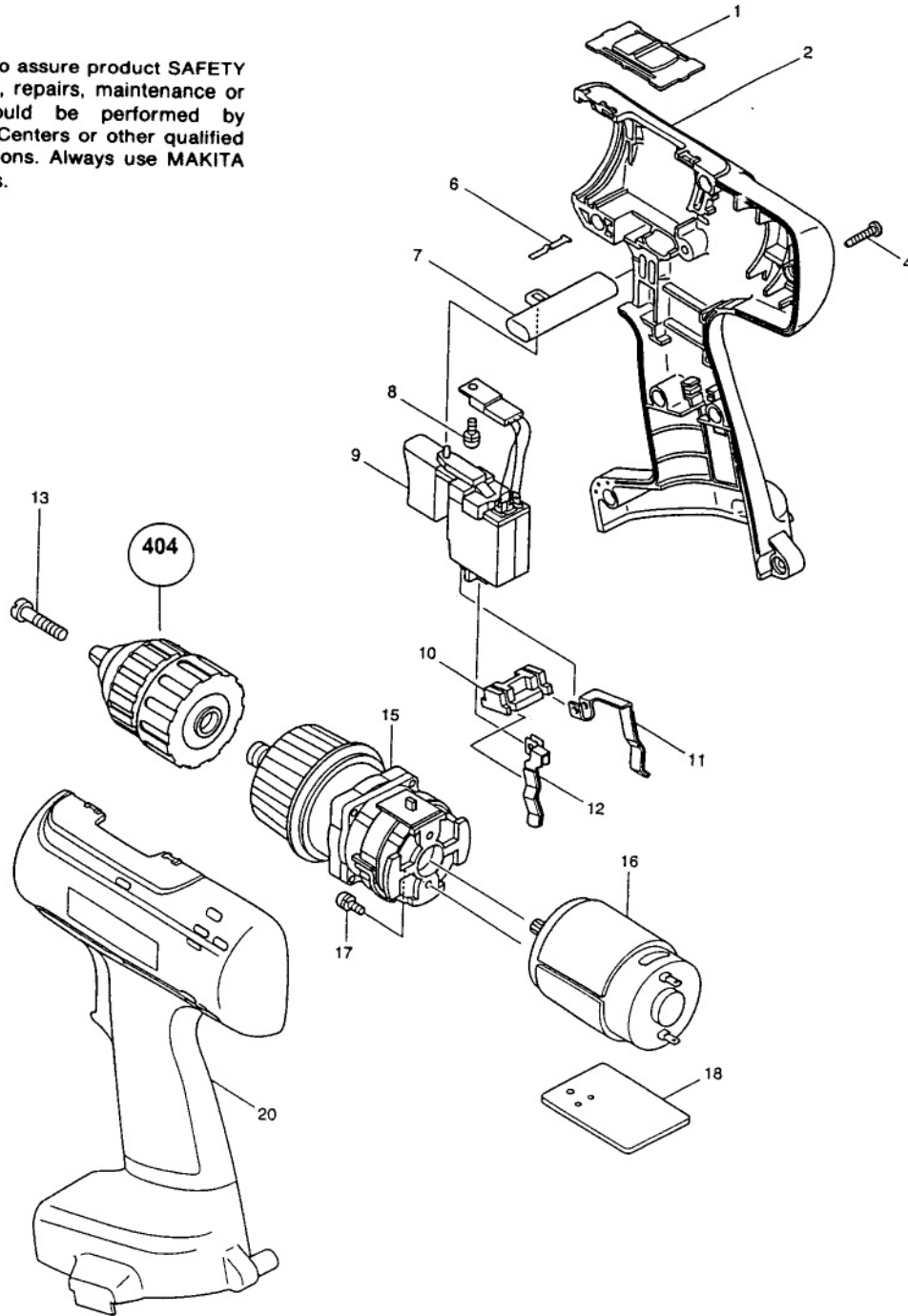




**IMPORTANT** — To assure product **SAFETY** and **RELIABILITY**, repairs, maintenance or adjustments should be performed by **MAKITA** Service Centers or other qualified service organizations. Always use **MAKITA** replacement parts.



**WIRING DIAGRAM**

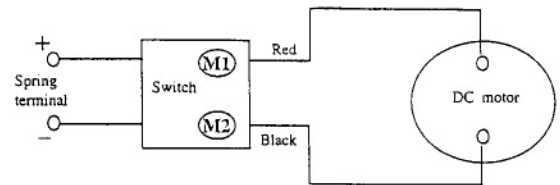


Fig.	Part No.	Qty. Used	Description	Fig.	Part No.	Qty. Used	Description
1	125091-1	1	SPEED CHANGE LEVER ASS'Y (Incl.2 Comp.Spring 4, 231433-0)	16	629752-0	1	DC MOTOR (Incl. 1 ea. Spur Gear 14, 226359-9)
2	183212-1	1	HOUSING SET(Incl. Fig. 20)	17	911003-8	2	PAN HEAD SCREW M6X6
4	266130-9	9	TAPPING S.BIND PT 3X16	18	689092-8	1	HEAT SINK
6	232182-2	1	LEAF SPRING	20	183212-1	1	HOUSING SET (Incl. Fig. 2)
7	416079-5	1	F/R CHANGE LEVER				
8	911003-8	1	PAN HEAD SCREW M3X6				
9	651989-1	1	SWITCH				
10	687085-9	1	HOLDER				
11	654168-0	1	SPRING TERMINAL (+)	400	414938-7	2	BATTERY COVER
12	654169-8	1	SPRING TERMINAL (-)	401	784636-0	1	+ -BIT 2-65
13	251451-2	1	-PAN HEAD SCREW M5X22	402	824476-5	1	PLASTIC TOOL CASE
15	125087-2	1	GEAR ASS'Y (Incl.1 ea. Change Lever 416586-8)	403	192600-1	2	BATTERY 1422
				404	763132-1	1	KEYLESS DRILL CHUCK 10
				405	DC1411	1	CHARGER, DC1411

**ACCESSORIES**