



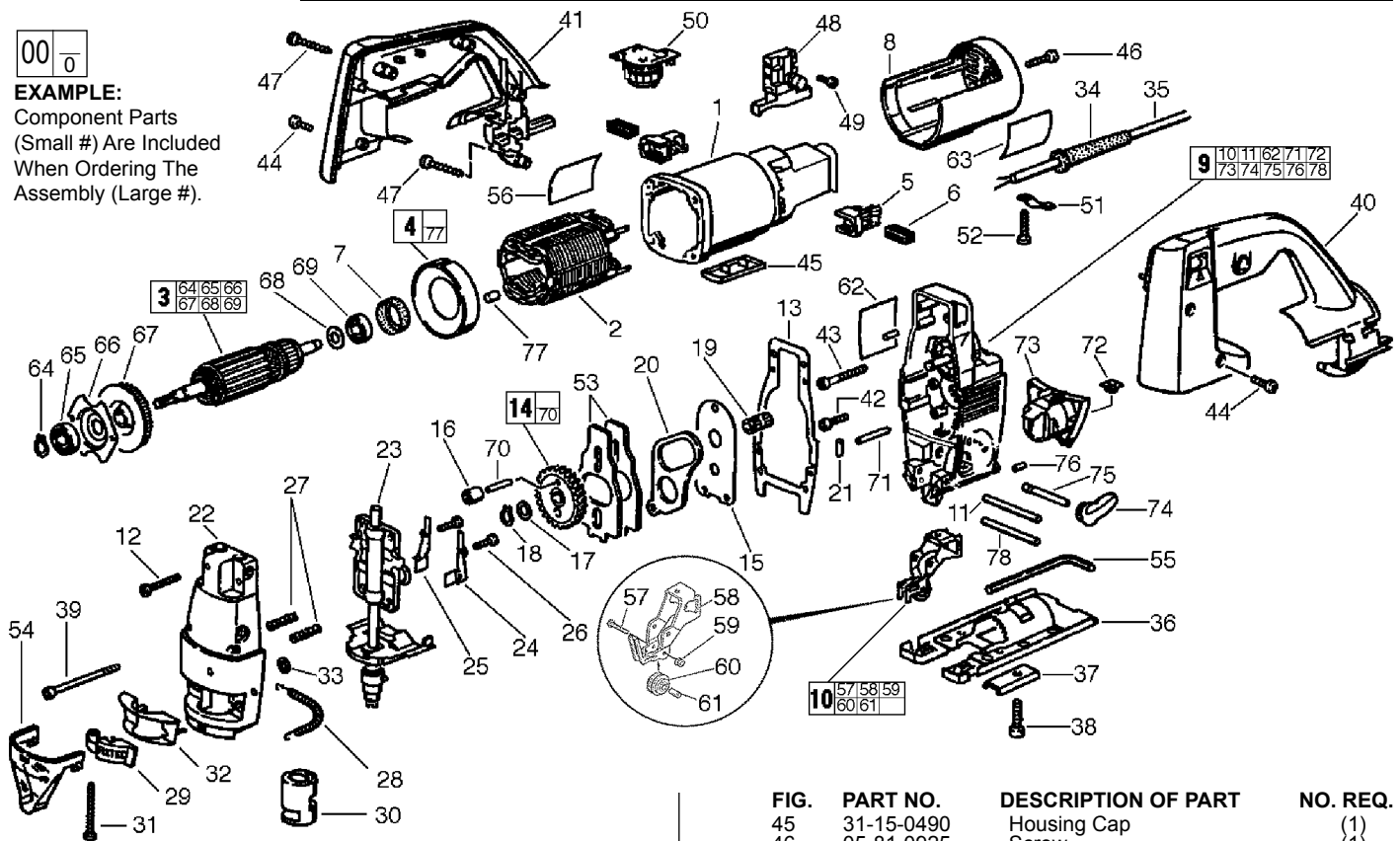
SERVICE PARTS LIST

BULLETIN NO.
54-40-0376

| SPECIFY CATALOG NO. AND SERIAL NO. WHEN ORDERING PARTS | | REVISED BULLETIN | DATE |
|--|---------------------------------|---|-----------|
| ORBITAL JIG SAW | | 54-40-0375 | Oct. 2008 |
| CATALOG NO. 6266 | STARTING SERIAL NO. 857B | WIRING INSTRUCTION 58-01-0335 | |

00
0

EXAMPLE:
Component Parts
(Small #) Are Included
When Ordering The
Assembly (Large #).



| FIG. | PART NO. | DESCRIPTION OF PART | NO. REQ. |
|------|------------|--------------------------|----------|
| 1 | 31-50-1230 | Motor Housing | (1) |
| 2 | 18-07-0150 | Field | (1) |
| 3 | 16-07-0110 | Armature Assembly | (1) |
| 4 | 31-05-0200 | Air Deflector Plate | (1) |
| 5 | 22-20-0870 | Brush Holder | (2) |
| 6 | 22-18-0860 | Carbon Brush | (2) |
| 7 | 45-22-0540 | Rubber Sleeve | (1) |
| 8 | 31-15-0480 | Cover | (1) |
| 9 | 14-30-0790 | Gear Case Complete | (1) |
| 10 | 42-36-1785 | Support Bracket Complete | (1) |
| 11 | 06-65-3735 | Support Bracket Pin | (1) |
| 12 | 05-88-9750 | Screw | (2) |
| 13 | 43-44-1010 | Gasket | (1) |
| ★ 14 | 32-30-0131 | Gear Assembly | (1) |
| 15 | 44-66-6165 | Spacer Plate | (1) |
| ★ 16 | 02-50-9996 | Needle Bearing | (1) |
| 17 | 45-88-8600 | Washer | (1) |
| 18 | 34-60-3670 | Ring | (1) |
| 19 | 02-50-9990 | Needle Bearing | (1) |
| 20 | 42-09-0140 | Rocker Arm | (1) |
| 21 | 44-60-1420 | Linkage Pin | (1) |
| 22 | 14-38-0670 | Gear Case Cover | (1) |
| 23 | 38-50-6050 | Spindle Assembly | (1) |
| 24 | 42-68-1020 | Left Clamp | (1) |
| 25 | 42-68-1010 | Right Clamp | (1) |
| 26 | 05-88-9751 | Screw | (2) |
| 27 | 40-50-8790 | Pressure Spring | (2) |
| 28 | 40-50-8800 | Tension Spring | (2) |
| 29 | 44-10-0350 | Blade Clamp Lever | (1) |
| 30 | 45-22-0530 | Index Sleeve | (1) |
| 31 | 05-88-9752 | Screw | (1) |
| 32 | 45-03-0160 | Screen | (1) |
| 33 | 44-90-4390 | Ring | (1) |
| 34 | 44-76-0270 | Cord Protector | (1) |
| 35 | 22-64-0891 | Cord | (1) |
| 36 | 45-16-0630 | Shoe | (1) |
| 37 | 44-86-0580 | Thrust Piece | (1) |
| 38 | 05-74-0675 | Screw | (1) |
| 39 | 05-88-9901 | Screw | (2) |
| 40 | 31-44-1920 | Left Handle Half | (1) |
| 41 | 31-44-1930 | Right Handle Half | (1) |
| 42 | 05-88-9902 | Screw | (2) |
| 43 | 05-88-9903 | Screw | (2) |
| 44 | 05-88-9753 | Screw | (4) |

| FIG. | PART NO. | DESCRIPTION OF PART | NO. REQ. |
|------|------------|---------------------------------------|----------|
| 45 | 31-15-0490 | Housing Cap | (1) |
| 46 | 05-81-0925 | Screw | (1) |
| 47 | 05-88-9601 | Screw | (4) |
| 48 | 23-66-1010 | Switch (Terminal Screws Not Included) | (1) |
| 49 | 05-81-0932 | Screw | (2) |
| 50 | 14-20-0790 | Speed Dial Assembly | (1) |
| 51 | 31-17-0240 | Cord Clamp | (1) |
| 52 | 05-81-0930 | Screw | (2) |
| 53 | 42-87-0120 | Counter Balance | (2) |
| 54 | 45-12-0530 | Front Shield | (1) |
| 55 | 49-96-0350 | Hex Key | (1) |
| 56 | 12-20-1161 | Service Nameplate | (1) |
| 57 | 05-81-0935 | Screw | (1) |
| 58 | 42-36-1800 | Support Bracket | (1) |
| 59 | 05-55-0035 | Nut | (1) |
| 60 | 44-96-0175 | Support Roller | (1) |
| 61 | 42-40-1025 | Bushing | (1) |
| 62 | 10-15-9500 | Instruction Label | (1) |
| 63 | 10-15-9505 | Logo Label | (1) |
| 64 | 44-90-4405 | Retaining Ring | (1) |
| 65 | 02-04-1805 | Ball Bearing | (1) |
| 66 | 44-86-0205 | Bearing Retainer | (1) |
| 67 | 22-84-0930 | Fan | (1) |
| 68 | 45-88-1220 | Washer | (1) |
| 69 | 02-04-1800 | Ball Bearing | (1) |
| ★ 70 | 44-60-1506 | Pin | (1) |
| 71 | 44-60-1510 | Pin | (1) |
| 72 | 05-55-0055 | Nut | (1) |
| 73 | 45-22-0060 | Dust Sleeve | (1) |
| 74 | 30-58-0060 | Orbit Lever | (1) |
| 75 | 36-10-0830 | Cam Shaft | (1) |
| 76 | 44-60-1500 | Pin | (1) |
| 77 | 45-30-0055 | Slug | (2) |
| 78 | 06-65-0560 | Pin | (1) |
| | 23-74-0155 | Terminal (Not Shown) | (2) |
| | 10-98-1201 | Warning Tag (Not Shown) | (1) |
| | 48-08-0530 | Anti-Splintering Device (Not Shown) | (1) |
| | 48-08-0532 | Plastic Shoe Cover (Not Shown) | (1) |

FIG. LUBRICATION
9 3/4 oz. type "L" grease, No. 49-08-4170

SEE REVERSE SIDE FOR SERVICE INSTRUCTIONS

MILWAUKEE ELECTRIC TOOL CORPORATION
13135 W. LISBON RD., BROOKFIELD, WI 53005
Drwg. 3

6266 Orbital Jigsaw Service Instructions - Hints

Following are hints for disassembling and assembling the 6266 Orbital Jigsaw. Note that they are not complete service instructions.

Screen (#32) removal: Use a screwdriver to gently snap screen off of tool. Rotate Quik-Lok Blade Clamp Lever (#29) and remove screen.

Quik-Lok Blade Clamp Lever (#29) removal: After Tension Spring (#28) is removed, remove screw (#31) from bottom of Blade Clamp Lever. Rotate Blade Clamp Lever approximately 15 to 20 degrees and hold the Index Sleeve (#30) in this position. Press end of Blade Clamp Lever so it pivots out of the Index Sleeve.

Index Sleeve (#30) removal: Extend spindle to its outward position. Depress spindle and pull off Index Sleeve. Be sure to extend spindle when assembling.

Spindle Assembly (#23) removal: Extend spindle to its outward position. After the left and right clamps (#24, #25) and screws (#26) are removed, remove the springs (#27). Pull Spindle Assembly out, making sure spindle nut fits through hole in the Gear Case Cover (#22). Be sure to extend spindle when assembling.

Lubrication: Use 0.5 oz. grease in Gear and Gear area. After all parts are clean of used grease, apply new grease as follows: Lightly (yet completely) grease the Counterbalance Guide Pin, Gear pin, and orbit pivot (all of which are inside the Gear Case). Lightly grease the 2 Needle Bearings (#16, #19), Spacer Plate (#15), Rocker arm (#20), 2 Counter Balances (#53), armature shaft pinion, linkage pin (#21), and Gear (#14) before their installations. Note: the Linkage Pin must be installed before the Rocker Arm. After installation of the Gear, apply the remainder of the 0.5 oz. grease to Gear and Gear area. Apply grease favoring the top of the tool, as grease will settle toward the bottom as the tool is used.

Use 0.25 oz. grease in the Spindle and Spindle Yoke areas. Before installation of the Spindle Assembly (#23) into the Gear Case Cover (#22), lightly grease the pivots in the Gear Case Cover (for the orbital movement), the Pressure Springs (#27), the left and right Clamps (#24, #25), and the Spindle Assembly (#23) - excluding the Blade Clamp Nut. After installation of these parts into the Gear Case Cover, apply the remainder of the 0.25 oz. grease to Spindle and Spindle Yoke areas.

Assembly of Quik-Lok Blade Clamp Lever (#29): After installing Blade Clamp Tension Spring (#28) on the Gear Case Cover (#22) and inserting Index Sleeve (#30), make sure other end of spring is fed through the hole towards the front of the tool, where it is to be attached to the Blade Clamp Lever (#29). Use needle nose pliers to attach spring to Blade Clamp Lever. Rotate the Index Sleeve approximately 15 to 20 degrees after it contacts the tang on the Blade Clamp Nut. Use a needle nose pliers if necessary. Hold the Index Sleeve in this position by hand. Hook the Blade Clamp Lever on the Index Sleeve and install the Blade Clamp Lever so the screw hole is aligned with the Index Sleeve screw hole. Be sure that Tension Spring is in proper position before tightening screw. Before further assembly, operate the Blade Clamp Lever to ensure the blade clamp operates properly.