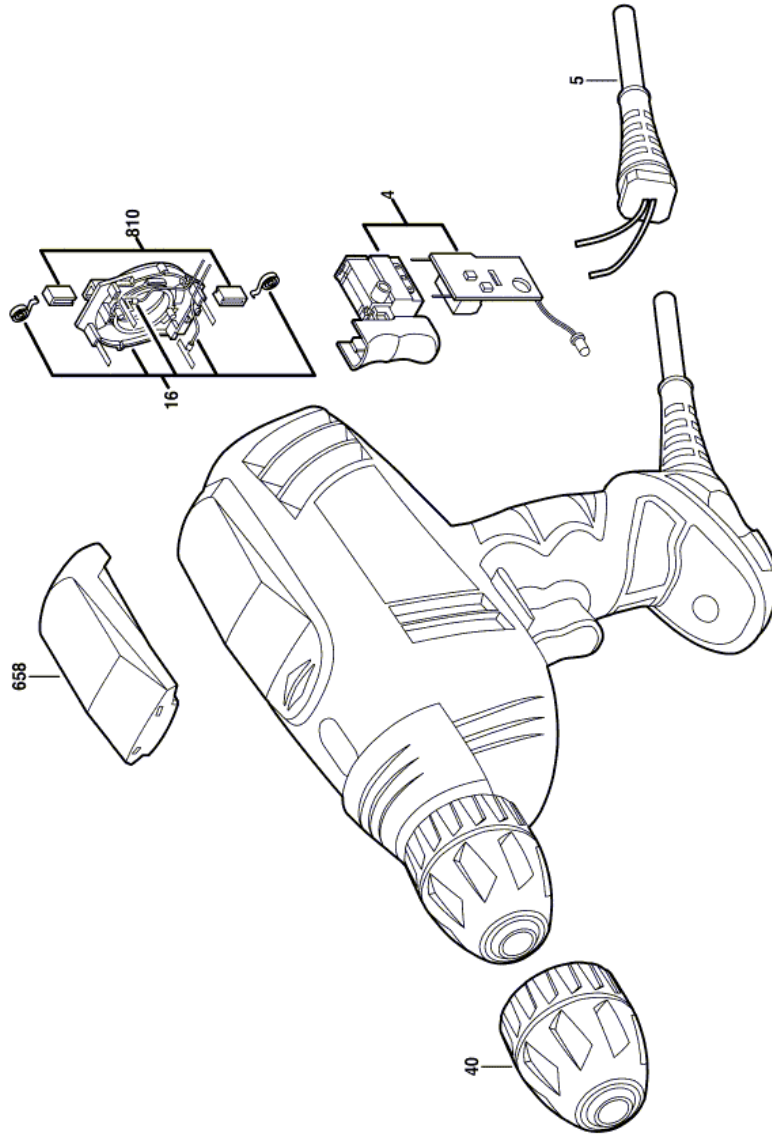


10.08.2015 |

Drill - F 012 626 700 - 6267

Item	Part Number	Description	Illustration	Price	Quantity	Price Group
4	1 619 X00 514	Switch		1	-,-	1 -
5	1 619 X00 506	Power supply cord		1	-,-	1 -
16	2 610 915 429	Carbon Brush Holder		1	-,-	1 -
40	1 619 X00 090	Chuck		1	-,-	1 33
658	2 609 100 190	Bit holder		1	-,-	1 16
810	2 610 915 893	Carbon-Brush Set		1	-,-	1 -

Illustration - Type E



F012 6267 00
Issue | 05-08-16
Stand | **Fig./Abb. 1**

Modifications reserved
Änderungen vorbehalten
Modifications réservées
Salvo modificaciones

Information subject to change without further notice.