

Parts

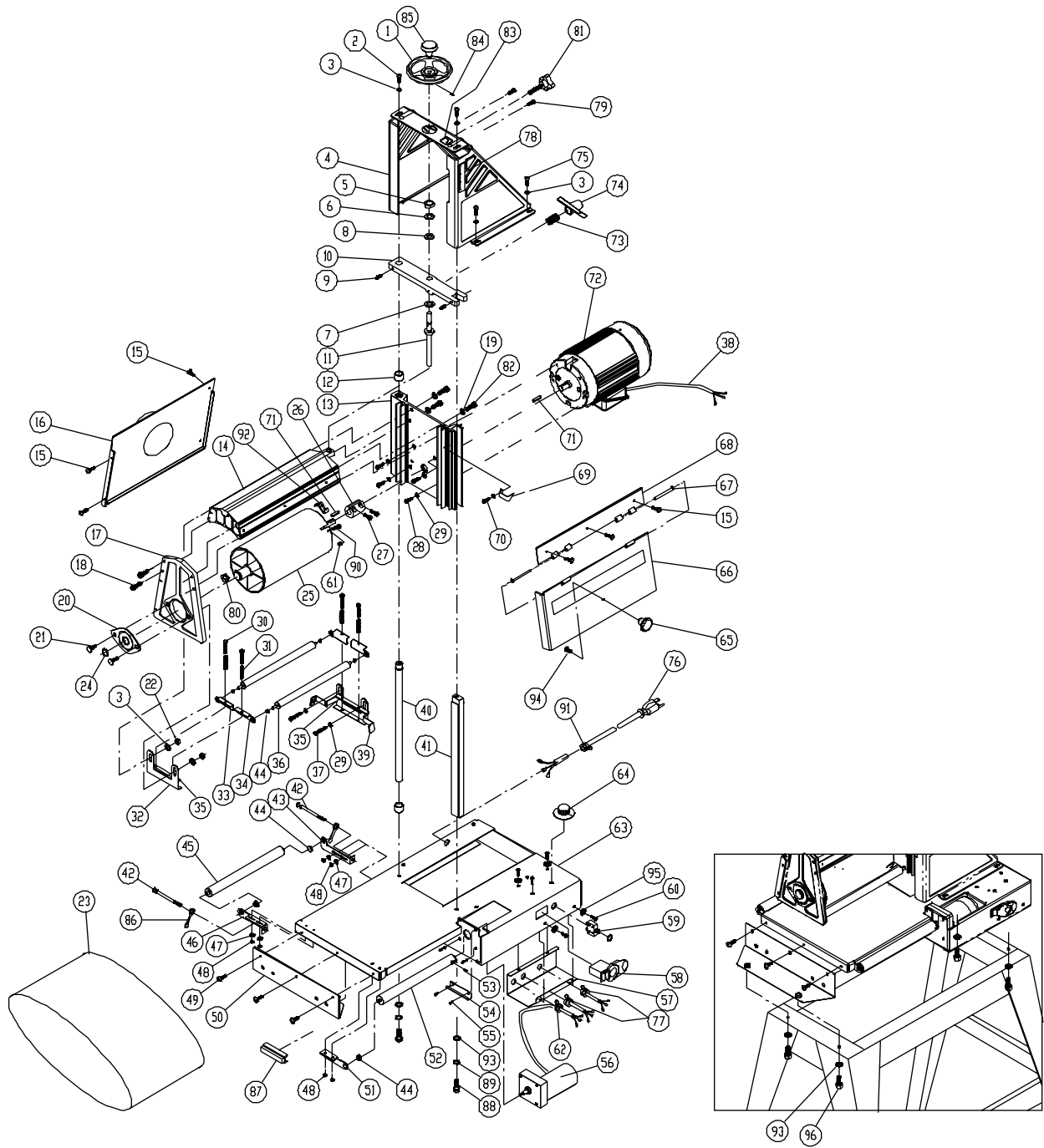
Parts List

Index No	Part No	Description	Size	Qty
1	1020-101	Handwheel, Height Adjustment		1
2	1020-102	Socket Head Button Screw	5/16-18UNCx3/4	2
3	TS-0680031	Flat Washer	5/16	8
4	1020-104	Main Support		1
5	1020-105	Lock Nut	1/2-20UNF	1
6	TS-0680061	Flat Washer	1/2	1
7	1020-107	Nylon Washer		1
8	1020-108	Washer, Oilite		1
9	TS-0267051	Set Screw	1/4-20UNCx1/2	2
10	1020-110	Bracket, Drum Height Control		1
11	1020-111	Height Adjusting Screw		1
12	1020-112	Bushing, Oilite		2
13	1020-113	Slide Plate, Motor Mount		1
14	1020-114	Arm		1
15	TS-081B03	Pan Head Machine Screw	#8-32UNCx1/2	7
16	1020-116	Dust Cover		1
17	1020-117	Plate, Outboard		1
18	1020-118	Hex Socket Round Head Screw	1/4-20UNCx3/4	4
19	TS-0720071	Lock Washer	1/4	4
20	50-3089	Bearing Assembly, Drum		1
21	TS-0152011	Bolt, Carriage Head	5/16-18UNCx1	2
22	TS-0561021	Hex Nut	5/16-18UNC	2
23	60-0310-P	Conveyor Belt		1
24	20-0778	Retaining Ring	STW25	1
25	1020-125	Drum		1
26	1020-126	Main Coupler		1
27	1020-127	Socket Head Cap Screw	#8-32UNCx3/8	2
28	TS-0208041	Socket Head Cap Screw	5/16-18UNCx3/4	4
29	TS-0720081	Lock Washer	5/16	6
30	10-4008-16	Screw, Fillister Head-Phillip	#8-32UNCx1	4
31	20-3211	Spring, Tension Rollers		4
32	40-0304	Bracket, Tension Rollers		1
33	40-0308-01	Bracket, Right Tension Roller Suspension		2
34	40-0308-02	Bracket, Left Tension Roller Suspension		2
35	80-1060	Pad, Bracket-Tension Roller		2
36	1020-136	Roller, Tension		2
37	TS-0208021	Socket Head Cap Screw	5/16-18UNCx1/2	2
38	1020-138	Motor Cord		1
39	1020-139	Bracket, Inboard Tension Roller		1
40	1020-140	Rod, Side Plate		1
41	1020-141	Rod, Square-Slide Plate		1
42	1020-142	Conveyor adjusting screw		2
43	1020-143	Bracket, Right Take-Up		1
44	50-3105	Bushing, Oilite		7
45	1020-145	Driven Roller		1
46	1020-146	Bracket, Left Take-Up		1
47	TS-0733041	Lock Washer, External Tooth	1/4	4
48	TS-0561011	Hex Nut	1/4-20UNC	6
49	TS-0813021	Screw	1/4-20UNCx3/8	3
50	1020-150	Foot Plate		1
51	1020-151	Drive Roller Support		1
52	1020-152	Drive Roller		1
53	10-4010-04	Set Screw	#10-32UNF x 1/4	1
54	1020-154	Guide Plate		1

Parts List

Index No	Part No	Description	Size	Qty
55	10-4010-08	Socket Head Cap Screw	#10-32UNFx1/2	4
56	3237359	Conveyer Gear Motor		1
57	1020-157	Cover, Base-Control Housing		1
58	JSG96-135	Switch, On/Off-Drum		1
58A	JSG96-135A	Key for Switch (not shown)		1
59	1020-159	Overload		1
60	1020-160	Pan Head Machine Screw	#10-32UNFx1/2	5
61	12-9001	Lock Nut	#6-32UNC	2
62	72-6101	Strain Relief, DC-Motor Cord	6N-4	1
63	1020-163	Base Assembly		1
64	73-1255	Controller, Conveyer-Variable Speed		1
65	80-3137	Knob, Dust Cover		1
66	1020-166	Dust Hood, Door		1
67	20-0775	Hinge Pin		2
68	1020-168	Dust Hood, Hinge		1
69	1020-169	Needle, Depth Gauge		1
70	1020-170	Round Head Machine Screw	#10-24UNCx3/8	1
71	20-0762-02	Key	3/16SQx3/4"	2
72	1020-172	Main Drum Motor		1
73	1020-173	Spring		1
74	1020-174	Adjustment Bracket		1
75	1020-175	Socket Head Button Screw	5/16-24UNFx1/2	4
76	1020-176	Power Cord		1
77	1020-177	Strain Relief, Power Cord and Motor Cord	6N3-4	2
78	94-1670	Label, Depth Gauge		1
79	1020-179	Socket Head Button Screw	5/16-18UNCx1/2	2
80	21-1173	Fastener, Abrasive-Outboard		1
81	1020-181	Knob, Adjusting		1
82	TS-0207041	Socket Head Cap Screw	1/4-20UNCx3/4	4
83	1020-183	Label, Height-Direction		1
84	1020-184	Set Screw	1/4-20UNCx1/4	2
85	80-3131	Knob, 2 pc Swivel Handle		1
86	40-0260	Wrench		2
87	90-0080	Tracker Kit (2 pieces per box)		1
88	1020-188	Shoulder Screw		2
89	TS-0733061	Lock Washer, External Tooth	3/8	2
90	10-4009-06	Flat Head-Machine Screw	#6-32UNCx3/8	2
91	1020-191	Strain Relief	6P3-4	1
92	21-1172	Fastener, Abrasive-Inboard		1
93	TS-0680042	Flat Washer	3/8	6
94	1020-194	Machine Screw	1/4-20UNCx5/8	1
95	TS-0680011	Flat Washer	3/16	4
96	1020-196	Hex Head Screw	3/8-16UNCx5/8	4

Assembly Drawing



Optional Accessories

JET 10-20 Sander Accessories

Stock #	Description
638004	Open Stand with Shelf for 10-20 Plus and 16-32 Plus Sanders
608005	Infeed/Outfeed Tables
98-0130	Caster Set (4) for Open Stand

JET 10-20 Abrasives

Ready-to-Wrap

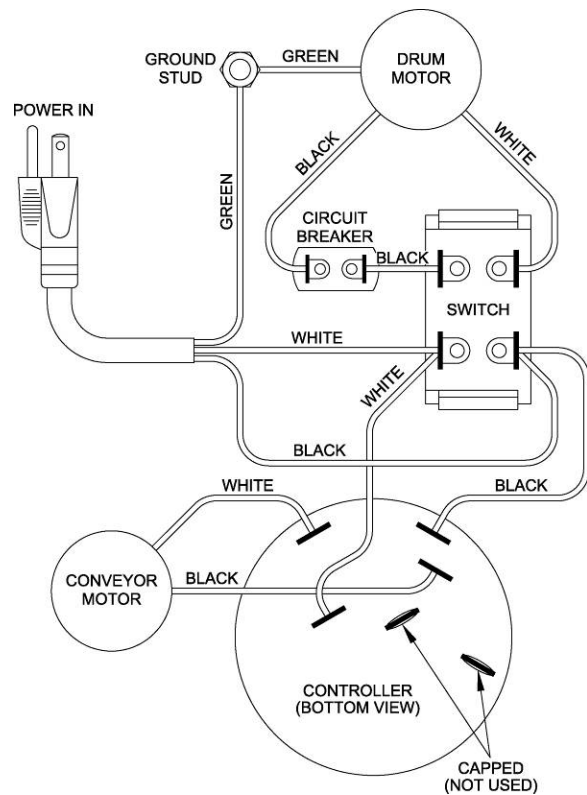
Each "Ready-to-Wrap" grit contains six pre-cut wraps.

Stock No	Description	Stock No	Description
60-1060	60 Grit	60-1150	150 Grit
60-1080	80 Grit	60-1180	180 Grit
60-1100	100 Grit	60-1220	220 Grit
60-1120	120 Grit		

Ready-to-Cut (Aluminum oxide)

Stock No	Description	Stock No	Description
60-9036	36 Grit	60-9120	120 Grit
60-9060	60 Grit	60-9150	150 Grit
60-9080	80 Grit	60-9180	180 Grit
60-9100	100 Grit	60-9220	220 Grit

Wiring Diagram



Replacement Parts

To order parts or reach our service department, call 800-274-6848 (CST), Monday through Friday (see our website for business hours, waltermeier.com). Having the Model Number and Serial Number of your machine available when you call will allow us to serve you quickly and accurately.