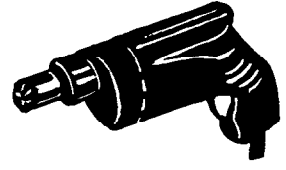


**SERVICE**



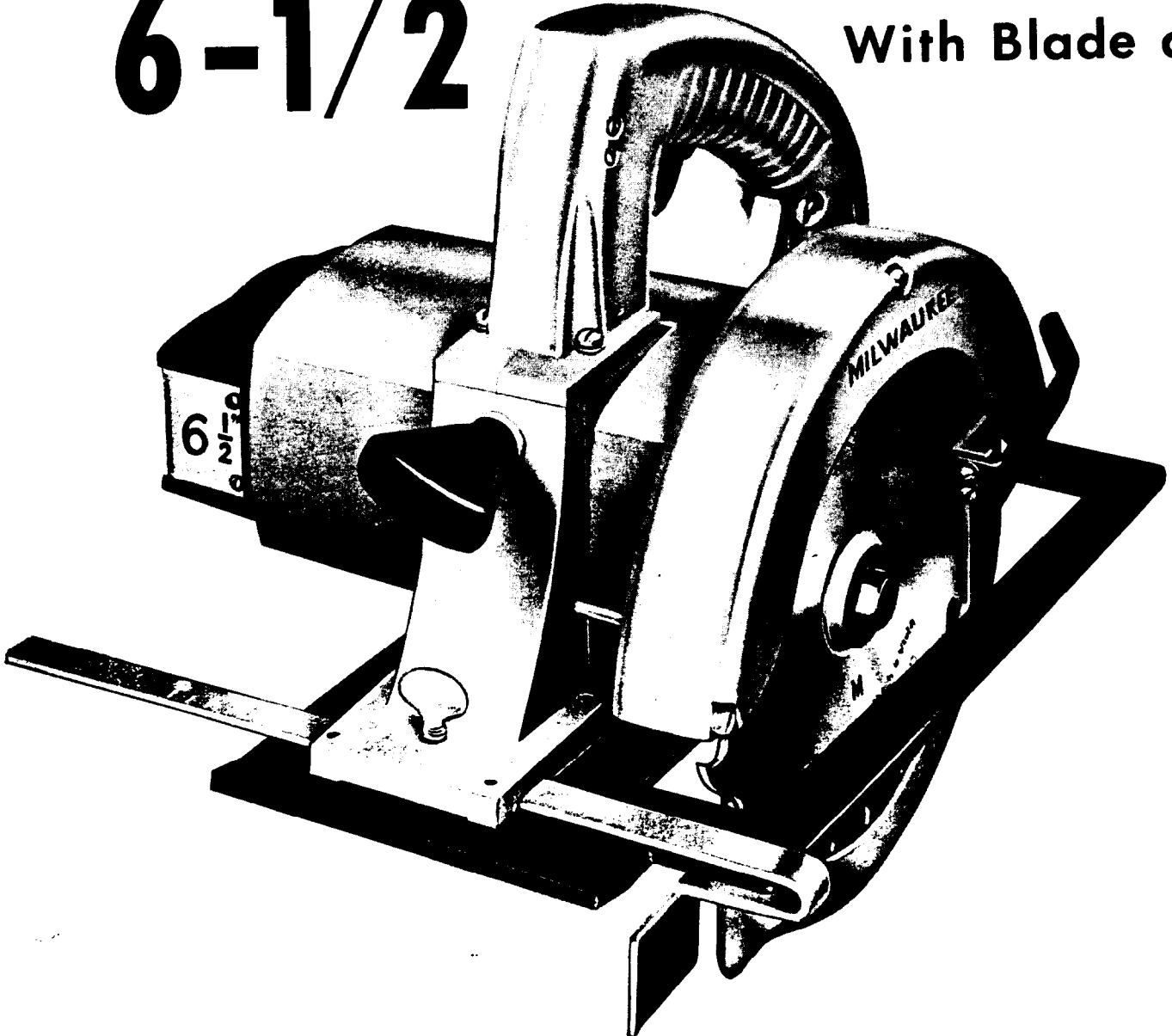
**PARTS LIST**

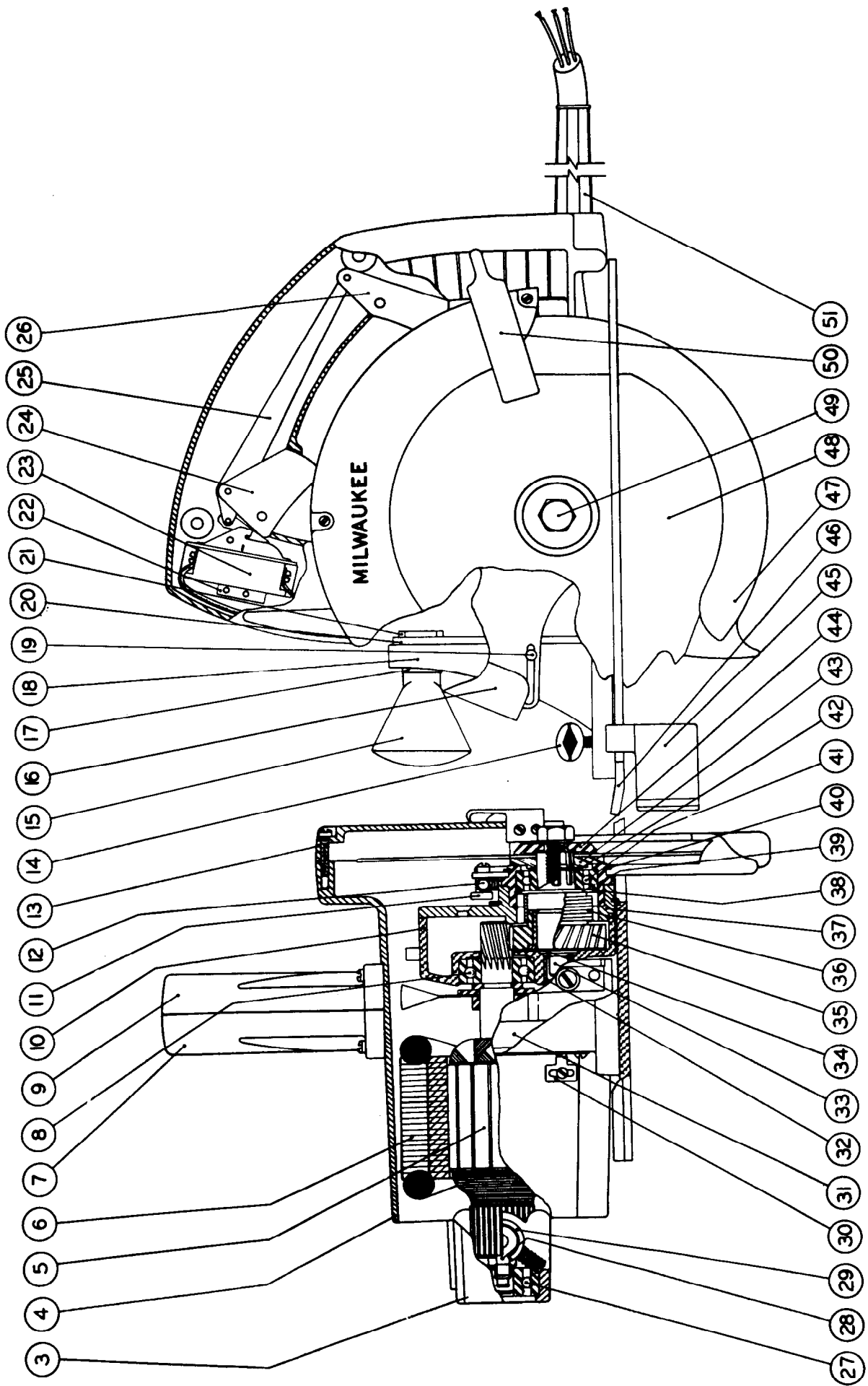
Catalog No.	6295	
-------------	------	--

**CUT-OFF  
SAW**

**6-1/2"**

**With Blade at Left**







# SERVICE PARTS LIST

**BUL. 54-40-1822**

## 6-1 2" CUT-OFF SAW

**Catalog No. 6295**

Starting Serial No. **310-1401**

REVISED BUL  
6310-4

DATE  
Nov. '68

WIRING INSTR.

N/A

Both Model and Serial No. must be furnished to obtain correct parts.

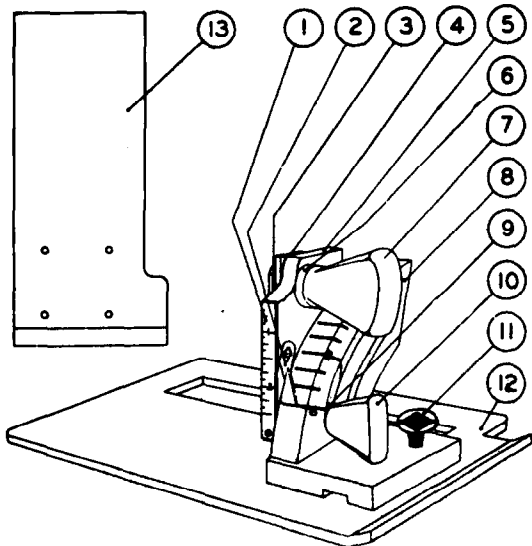
### ILLUSTRATED PARTS

FIG.	PART NO.	DESCRIPTION OF PART	FIG.	PART NO.	DESCRIPTION OF PART
3	42-92-0131	Housing End Cover	28	22-18-0300	Carbon Brush Assembly
★ 4	28-50-6011	Motor Housing	29	22-22-0190	Brush Holder Assembly
5	16-62-1070	Armature Assembly	30	43-82-0060	Depth Indicator
6	18-62-1050	Field Assembly	31	43-56-0070	Depth Adj. Guide Plate (2)
★ 7	14-34-0131	Right Handle Half (See Item No. 9)	32	02-50-2020	Spindle Needle Bearing
8	02-04-1340	Armature Ball Bearing (Pinion End)	33	38-50-4352	Spindle
★ 9	14-34-0131	Left Handle Half (Sold with Item No. 7 only)	34	34-60-1290	Spindle Gear Ret. Ring
10	28-28-1281	Diaphragm	35	32-75-2402	Spindle Gear
11	45-58-0150	Guard Spring & Bumper Stud	36	40-50-4605	Spindle Drive Spring
12	40-50-4500	Lower Guard Spring	37	28-72-1042	Bearing Plate
★ 13	28-20-2502	Upper Guard Cover	38	34-80-2500	Spindle Bearing Ret. Ring
14	06-87-2500	1/4-20x1/2 Rip Guide Thumb Screw	39	45-88-0280	Spindle Drive Spring Washer
15	43-98-0110	Depth Adj. Knob	40	34-60-2200	Guard Ret. Ring
16	43-54-0161	Front Guard	41	02-08-0625	Spindle Ball Bearing
17	45-88-0431	Depth Adj. Knob Washer	42	34-60-1500	Spindle Ret. Ring
18	28-72-2002	Depth Adj. Plate	43	43-34-0080	Spindle Flange
19	44-94-0090	Front Guard Pivot Rod	44	45-88-0290	Spindle Washer
20	43-56-0080	Depth Adj. Guide Plate	45	43-30-0052	Rip Fence
21	45-58-0140	5/16-18 Depth Adj. Stud	46	49-63-0090	Aluminum Saw Shoe
22	42-28-0150	Switch Mounting Block	47	28-41-0452	Saw Guard Assembly
23	23-66-0430	Switch	48		6 1/2" Saw Blades (See Catalog)
24	28-92-0151	Top Trigger	49	06-75-0476	3/8x1/4 Hex.Hd.Blade Bolt (L.H. Thr'd)
25	44-14-0060	Stamped Trigger Links (2)	50	43-62-0290	Saw Guard Handle
26	28-92-0161	Bottom Trigger	51	22-64-0340	Cord Set with Strain Relief
27	02-04-0965	Armature Ball Bearing (Comm. End)			

### MISCELLANEOUS PARTS NOT SHOWN

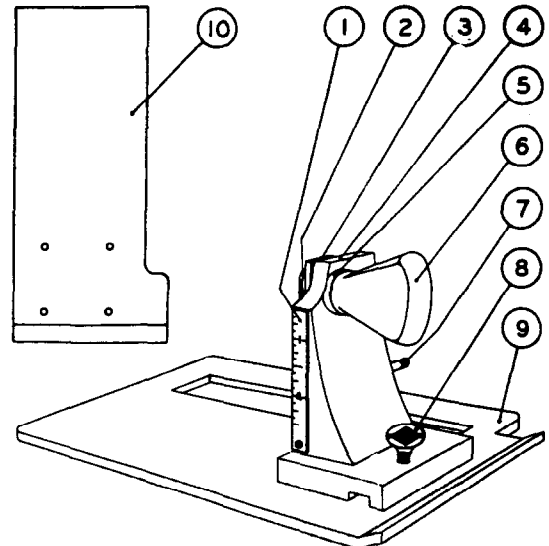
PART NO.	DESCRIPTION OF PART	PART NO.	DESCRIPTION OF PART
12-98-5800	Replacement Name Plate	06-81-8050	8-32x3/8 Flat Hd. Depth Adj. Guide Mt.Sc. (6)
12-98-6005	Depth Adjusting Scale	06-81-8625	6-32x1/4 Rd. Hd. Brass Ground Screw
40-50-4700	Front Guard Spring	06-81-7025	10-24x1/4 Fil.Hd. Diaphragm Mount Screws (2)
42-38-0070	Bumper Guard	06-83-2650	1/4-20x3/8 Hd'less Brush Holder Set Screw (4)
45-88-0440	Gear Retaining Washer	06-81-4550	6-32x1/8 R.H. Front Guard Spring Mt. Screw
49-96-6300	Saw Wrench	06-65-1575	5/32x7/8 Dowels - Trigger Pivot Pins (2)
49-96-6400	1-3/8 Open End Wrench	06-65-1527	Roll Pin Trigger Link Dowels (2)
48-55-1080	Carrying Case	06-65-1525	Roll Pin Trigger Link Dowel
06-75-2401	10-32x1/2 Nyllok Adj. Screw	06-81-4425	4-40x3/16 Rd.Hd.Depth Adj. Scale Mt.Sc. (2)
06-81-5200	6-32x1/4 Washer Hd. Switch Mtg. Screw	06-81-8100	10-24x1-3/8 Flat Hd. Diaphragm Mt. Scs. (2)
06-81-3700	8-32x7/8 Oval Hd.Switch Handle Assy.Sc. (4)	06-81-4430	4-40x5/16 Rd. Hd. Lexan Cover Mt. Scs. (2)
06-81-5200	6-32x1/4 Washer Hd. Depth Indicator Mt. Screw	06-81-4425	4-40x3/16 Rd. Hd. Name Plate Screws (2)
06-81-5800	6-32x5/16 Fil.Hd. Guard Hd.Mtg. Screws (2)	06-81-6750	8-32x2-1/2 Fil Hd. Field Screws (2)
06-81-5850	6-32x5/8 Switch Block Mtg. Screws (2)	06-81-2575	8-32x1/2 Flat Hd. Depth Adj. Plate Mtg. Scs. (4)
06-81-6050	8-32x5/16 Fil. Hd. Bumper Mount Screw	22-90-0050	Grommet
06-81-6150	8-32x1/2 Fil.Hd. Spring and Bumper Stud Mt.Sc.	12-98-5900	Identification Label
06-81-6200	8-32x5/8 Fil.Hd. Handle Mount Screws (4)	22-40-0070	Carbon Brush Assy. Ret. Clip (2)
06-81-6150	8-32x1/2 Fil.Hd.Upper Guard Mount Screws (3)	40-50-5600	Depth Adj. Knob Tension Spring
06-81-8050	8-32x3/8 Flat Hd.Bearing Plate Mtg. Scrs. (2)	23-16-0300	Lead Insulator
		23-16-0310	Switch Insulator

# SHOE ASSEMBLIES



LEFT HAND MITER SAW SHOE ASSEMBLIES

WRAP-AROUND SHOE ASSEMBLY 49-63-1040  
(Includes all items but No. 13)  
OPEN SHOE ASSEMBLY 49-63-1030  
(Includes all items but No. 12)



LEFT HAND CUT-OFF SAW SHOE ASSEMBLIES

WRAP-AROUND SHOE ASSEMBLY 49-63-1140  
(Includes all items but No. 10)  
OPEN SHOE ASSEMBLY 49-63-1130  
(Includes all items but No. 9)

FIG.	PART NO.	DESCRIPTION OF PART
1	12-98-6005	Depth Adj. Scale
2	43-82-0070	Miter Indicator
3	45-58-0140	5/16-18 Depth Adj. Stud
4	43-56-0080	Depth Adj. Guide Plate
5	28-08-0081	Miter Plate Adj. Block
6	45-88-0431	Depth Adj. Knob Washer
7	43-98-0110	Depth Adj. Knob
8	28-72-5081	Miter Plate
9	45-88-0240	Miter Plate Adj. Knob Washer
10	43-98-0080	Miter Plate Adj. Knob
11	06-87-2500	1/4-20x1/2 Rip Guide Thumb Screw
12	49-63-0090	Wrap-Around Saw Shoe (Aluminum)
13	49-63-0200	Open Saw Shoe (Aluminum)

FIG.	PART NO.	DESCRIPTION OF PART
1	12-98-6005	Depth Adj. Scale
2	45-58-0140	5/16-18 Depth Adj. Stud
3	43-56-0080	Depth Adj. Guide Plate
4	28-72-2002	Depth Adj. Plate
5	45-88-0431	Depth Adj. Knob Washer
6	43-98-0110	Depth Adj. Knob
7	44-94-0090	Front Guard Pivot Rod
8	06-87-2500	1/4-20x1/2 Rip Guide Thumb Screw
9	49-63-0090	Wrap-Around Saw Shoe (Aluminum)
10	49-63-0200	Open Saw Shoe (Aluminum)

MISCELLANEOUS PARTS NOT SHOWN

PART NO.	DESCRIPTION OF PART
06-81-4425	4-40x3/16 Rd.Hd. Depth Adj. Scale Mtg. Scs. (2)
06-81-5200	6-32x1/4 Washer Hd. Miter Ind. Mtg. Sc.
06-81-2575	8-32x1/2 Flat Hd. Miter Plate Mt. Scs. (4)
06-81-8050	8-32x3/8 Flat Hd. Depth Adj. Guide Mtg. Sc. (2)
44-94-0090	Front Guard Pivot Rod
06-75-2401	10-32x1/2 Socket Hd. Miter Block Adj. Screw
40-50-5600	Depth Adj. Knob Tension Spring
40-50-5700	Miter Adj. Knob Tension Spring

MISCELLANEOUS PARTS NOT SHOWN

PART NO.	DESCRIPTION OF PART
06-81-4425	4-40x3/16 Rd.Hd. Depth Adj. Scale Mtg. Scs. (2)
06-81-2575	8-32x1/2 Depth Adj. Plate Mtg. Scs. (4)
06-81-8050	8-32x3/8 Flat Hd. Depth Adj. Guide Mt. Sc. (2)
40-50-5600	Depth Adj. Knob Tension Spring

IF COMPLETE SHOE ASSEMBLIES ARE NOT ORDERED AND IT IS NECESSARY TO CHANGE FROM A MITER SHOE ASSEMBLY TO A CUT-OFF SHOE ASSEMBLY OR FROM CUT-OFF TO MITERING, THE FOLLOWING PARTS ARE NECESSARY.

TO CHANGE FROM CUT-OFF TO MITER

PART NO.	DESCRIPTION OF PART
43-98-0080	Miter Plate Adj. Knob
45-88-0240	Miter Plate Adj. Knob Washer
28-72-5081	Miter Plate
28-08-0081	Miter Plate Adj. Block
43-82-0070	Miter Indicator
06-81-5200	6-32x1/4 Washer Hd. Miter Indicator Mt. Sc.
06-75-2401	10-32x1/2 Socket Hd. Miter Block Adj. Sc.
40-50-5700	Miter Adj. Knob Tension Spring

TO CHANGE FROM MITER TO CUT-OFF

PART NO.	DESCRIPTION OF PART
28-72-2002	Depth Adj. Plate