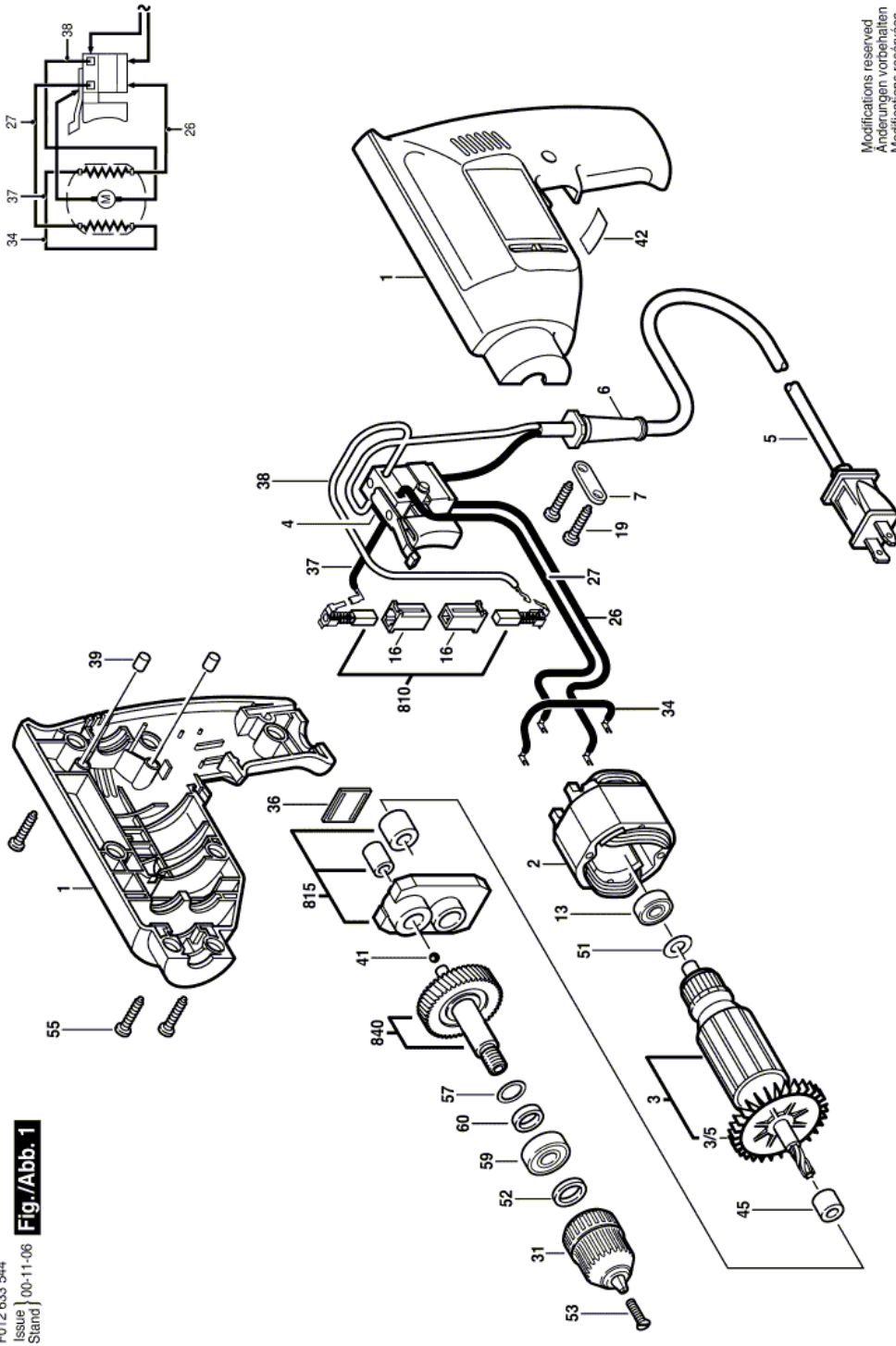


Drill - F 012 633 544 - 6335 TYPE 1

Item	Part Number	Description	Illustration	Price	Quantity	Price Group
1	2 610 908 283	Housing Set	1	-,-	1	-
2	2 610 315 863	Field 120V	1	-,-	1	28
3	2 610 350 013	Armature 120V	1	-,-	1	-
3/5	2 610 346 332	Fan	1	-,-	1	-
4	2 610 346 618	On-Off Switch	1	-,-	1	29
5	2 610 350 903	Power supply cord	1	-,-	1	27
6	2 610 360 176	Grommet	1	-,-	1	11
7	2 610 064 973	Cable Grip	1	-,-	1	11
13	1 619 P01 511	Ball Bearing	1	-,-	1	19
16	2 610 320 548	Brush Holder	1	-,-	2	13
19	2 610 315 386	Screw ST3,9x19	1	-,-	2	11
26	2 610 038 675	Connecting Cable	1	-,-	1	-
27	2 610 038 922	Connecting Cable BROWN	1	-,-	1	-
31	2 610 908 303	Chuck 3/8"	1	-,-	1	32
34	2 610 038 609	Connecting Wire BLACK	1	-,-	1	11
36	2 610 347 349	Reference Plate	1	-,-	1	15
37	2 610 039 904	Connecting Wire 130 MM BLACK	1	-,-	1	11
38	2 610 320 494	Connecting Wire 50 MM	1	-,-	1	11
39	2 610 028 780	Plug	1	-,-	2	11
41	2 610 002 144	Ball	1	-,-	1	11
42	2 610 902 145	Reference Plate	1	-,-	1	15
45	2 610 348 065	Spacer	1	-,-	1	11
51	2 610 017 016	Washer	1	-,-	1	11
52	2 610 017 642	Washer	1	-,-	1	10
53	2 610 068 005	Screw	1	-,-	1	11
55	1 619 X00 504	Screw	1	-,-	7	10
57	2 610 313 808	Plain Washer	1	-,-	1	12
59	2 610 350 311	Deep-Groove Ball Bearing	1	-,-	1	24
60	2 610 350 307	Spacer	1	-,-	1	-
810	2 610 321 617	Carbon-Brush Set	1	-,-	1	24
815	2 610 350 302	Bearing Housing	1	-,-	1	-
840	2 610 350 305	Spindle 3/8"-24	1	-,-	1	-

Illustration - Type E



F012 633 544
Issue | 00-11-06
Stand |

Fig./Abb. 1

Modifications reserved
Änderungen vorbehalten
Modificaciones reservées
Salvo modificaciones

Information subject to change without further notice.