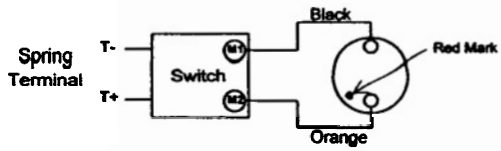


Wiring Diagram



IMPORTANT! - To assure product SAFETY and RELIABILITY, repairs, maintenance or adjustments should be performed by MAKITA Service Centers, or other qualified service organizations. Always use MAKITA replacement parts.

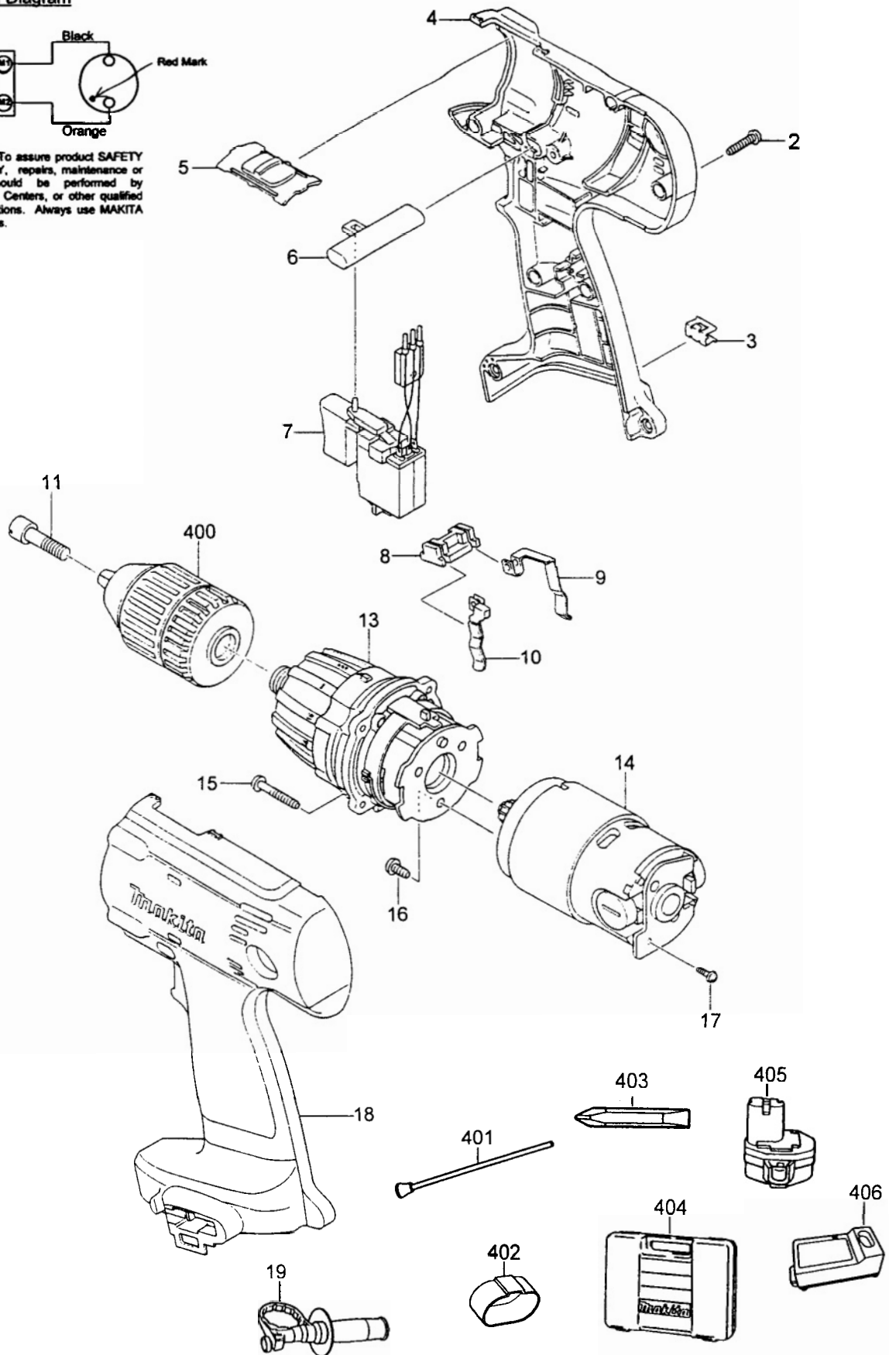


Fig.	Part No.	Qty. Used	Description	Fig.	Part No.	Qty. Used	Description
2	266130-9	8	TAPPING SCREW BIND PT 3X16	16	266134-1	3	TAPPING SCREW ST 4X8
3	344391-2	2	BIT HOLDER	17	911006-2	1	PAN HEAD SCREW M3X8
4	183078-9	1	HOUSING SET (INCL. FIG. 18)	18	183078-9	1	HOUSING SET (INCL. FIG. 4)
5	125091-1	2	SPEED CHANGE LEVER ASS'Y (INCL. 2 EA. COMPRESSION SPRING 4, 231433-0)	19	122575-0	1	GRIP ASSY. (INCL. GRIP 36 CPL., 152521-9; SCREW M5X10, 251812-6; HEX BOLT M8X110, 921919-9; HEX NUT M5, 931202-6)
6	416079-5	1	F/R CHANGE LEVER				
7	651939-6	1	SWITCH				
8	687085-9	1	HOLDER				
9	654168-0	1	SPRING TERMINAL (+)				
10	654169-8	1	SPRING TERMINAL (-)				
11	251465-1	1	FLAT HEAD SCREW M6X32	400	763140-2	1	KEYLESS DRILL CHUCK 13
13	125088-0	1	GEAR HOUSING ASS'Y	401	122576-8	1	STOPPER POLE ASS'Y (INCL. CAP 20, 286226-0)
14	629734-2	1	DC MOTOR 14.4V (INCL. CARBON BRUSH SET CB-430, 191971-3; 2 EA. HOLDER CAP, 643929-3; SPUR GEAR 20, 226361-2)	402	414938-7	2	BATTERY COVER
				403	784614-0	2	BIT 2-45
				404	824525-8	1	PLASTIC CARRYING CASE
				405	192699-A	2	NI-MH (2.2AH) BATTERY 1433
15	265999-8	4	TAPPING SCREW 4X25	406	DC1411	1	CHARGER

ACCESSORIES