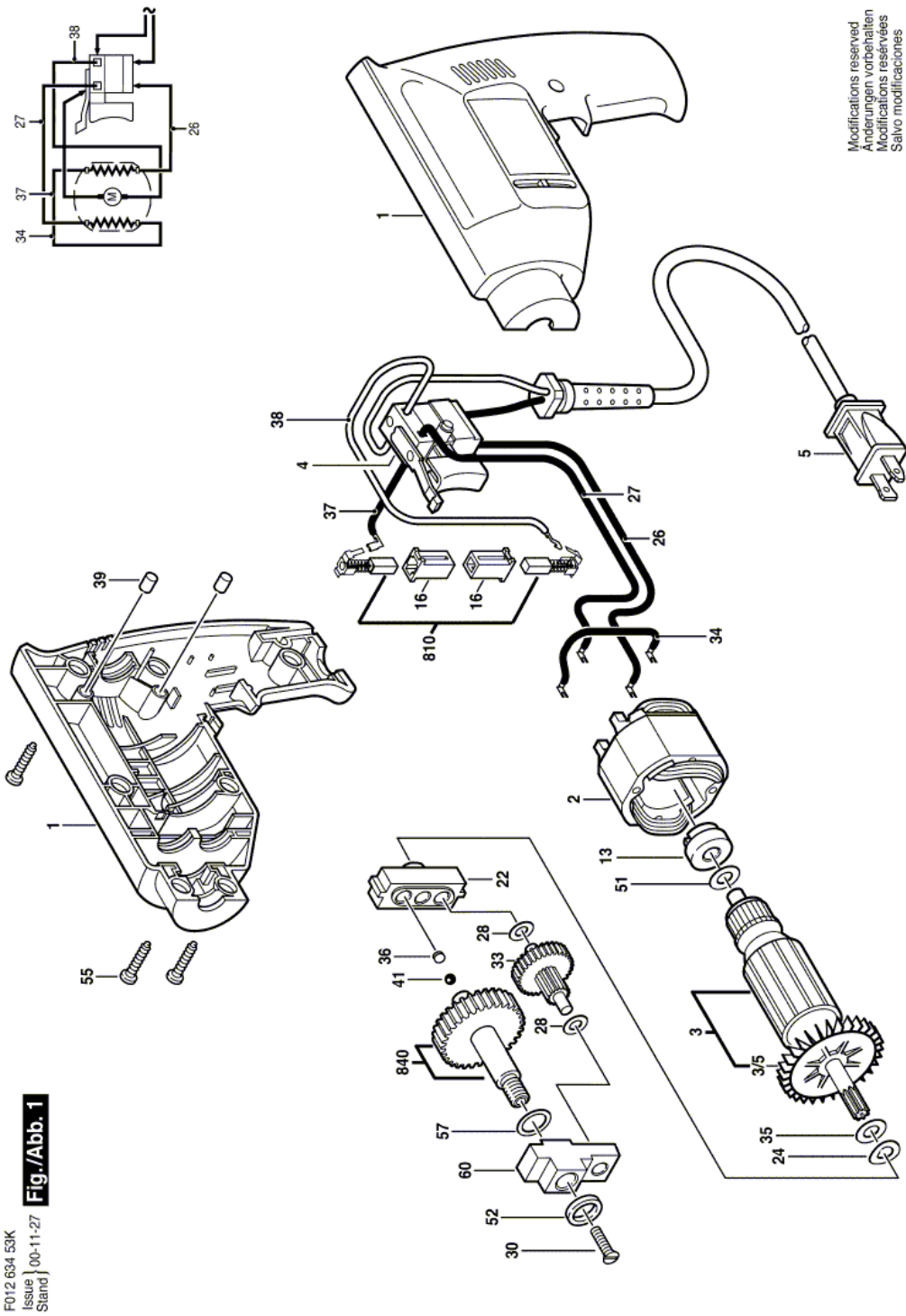


Drill - F 012 634 53K - 6345-78 TYPE 2

Item	Part Number	Description	Illustration	Price	Quantity	Price Group
1	2 610 357 532	Housing	1	-,-	1	-
2	2 610 315 867	Pole Shoe 120V	1	-,-	1	-
3	2 610 352 027	Armature 120V	1	-,-	1	-
3/5	2 610 346 332	Fan	1	-,-	1	-
4	2 610 358 235	Toggle Switch	1	-,-	1	-
5	1 619 X00 506	Power supply cord	1	-,-	1	-
13	2 610 351 348	Bushing	1	-,-	1	13
16	2 610 320 548	Brush Holder	1	-,-	2	13
22	2 610 352 355	Bearing Housing	1	-,-	1	-
24	2 610 026 126	Washer	1	-,-	1	11
26	2 610 038 675	Connecting Cable	1	-,-	1	-
27	2 610 038 922	Connecting Cable BROWN	1	-,-	1	-
28	2 610 309 996	Washer	1	-,-	2	11
30	2 610 315 857	Socket head cap screw	1	-,-	1	11
33	2 610 357 542	Conversion Gear	1	-,-	1	-
34	2 610 038 609	Connecting Wire BLACK	1	-,-	1	11
35	2 610 027 445	Washer	1	-,-	1	11
36	2 610 347 351	Ring	1	-,-	1	-
37	2 610 320 494	Connecting Wire 50 MM	1	-,-	1	11
38	2 610 039 904	Connecting Wire 130 MM BLACK	1	-,-	1	11
39	2 610 028 780	Plug	1	-,-	2	11
41	2 610 002 144	Ball	1	-,-	1	11
51	2 610 029 973	Washer	1	-,-	1	-
52	2 610 017 642	Washer	1	-,-	1	10
55	1 619 X00 504	Screw	1	-,-	7	10
57	2 610 313 808	Plain Washer	1	-,-	1	12
60	2 610 347 305	Block	1	-,-	1	-
810	2 610 321 617	Carbon-Brush Set	1	-,-	1	24
840	2 610 902 910	Spindle	1	-,-	1	-

Illustration - Type E



Modifications reserved
 Änderungen vorbehalten
 Modifications réservées
 Salvo modificaciones

F012 634 53K
 Issue 00-11-27
 Stand
Fig./Abb. 1

Information subject to change without further notice.