



SERVICE PARTS LIST

BUL. 54-40-1100

7-1/4" CIRCULAR SAW

REVISED BUL. DATE
May '77

Catalog No. 6365

Starting Serial No. **546-1001**

WIRING INSTRUCTIONS
58-01-0750

Specify Catalog and Serial No. when ordering parts

FOR CAT. NO. 6365-2
(240V) TOOL USE:

- 16-76-0030 ARMATURE
- 18-76-0030 FIELD
- 22-64-4000 CORD SET

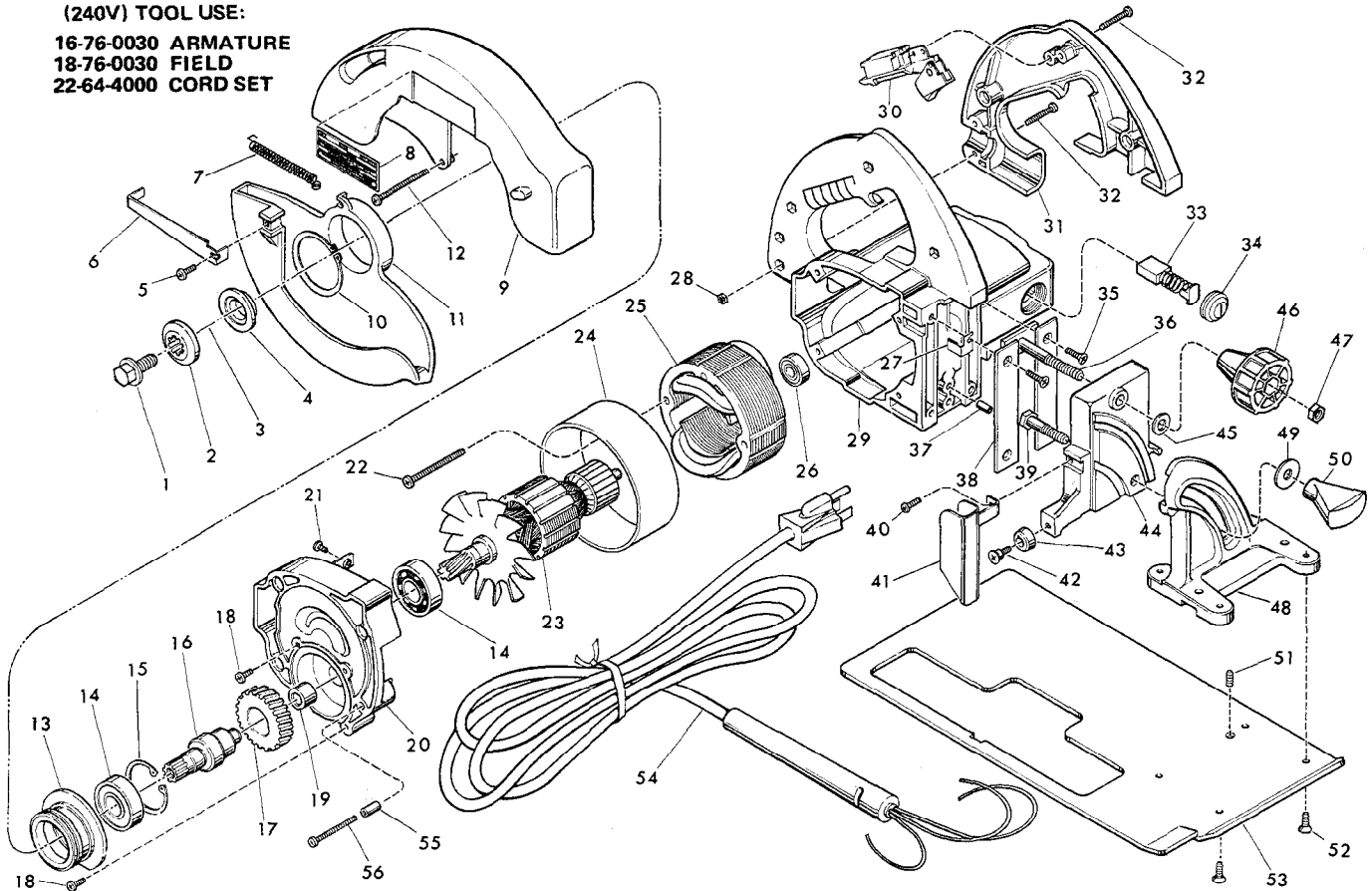
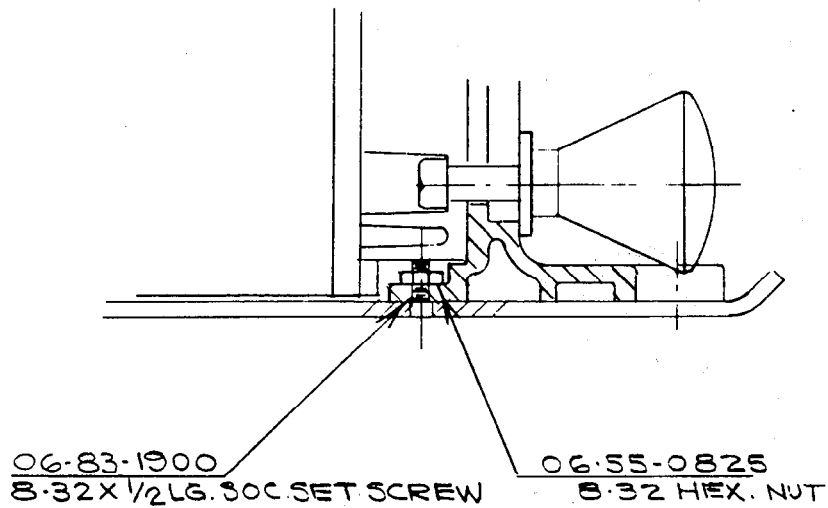


FIG.	PART NO.	DESCRIPTION OF PART	NO. REQ.	FIG.	PART NO.	DESCRIPTION OF PART	NO. REQ.
1	06-75-0474	Blade Screw	(1)	31	31-44-0480	L. H. Handle	(1)
2	45-88-0285	Spindle Blade Retaining Washer	(1)	32	06-81-0472	8-32x1 Pan Hd. Screw	(5)
3	—	7-1/4 Blade (Select From Catalog)	(1)	33	22-18-0550	Carbon Brush Assembly	(2)
4	43-34-0250	Spindle Flange	(1)	34	23-44-0160	Brush Retaining Screw	(2)
5	06-95-0210	8-32x3/8 Pan Hd. Screw	(1)	35	06-95-3240	8-32x3/4 Fl. Hd. Screw	(4)
6	43-62-0660	Lower Guard Handle	(1)	36	45-58-0250	Vertical Adjusting Stud	(1)
7	40-50-3750	Lower Guard Spring	(1)	37	06-65-1580	3/16x1/2 Lg. Roll Pin	(1)
8	12-99-0095	Nameplate Blank	(1)	38	44-66-0650	Vertical Bracket Plate	(2)
9	26-41-0500	Upper Guard	(1)	39	45-58-0240	Angular Adjusting Stud	(1)
10	34-60-2210	Retaining Ring-External	(1)	40	06-95-0210	8-32x3/8 Pan Hd. Screw	(1)
11	26-41-0550	Lower Guard	(1)	41	43-54-0300	Front Blade Guard Assembly	(1)
12	06-95-0260	8-32x1-5/8 Pan Hd. Screw	(3)	42	45-04-0480	Guard Bumper Screw	(1)
13	43-78-0250	Lower Guard Hub	(1)	43	42-38-0070	Rubber Bumper	(1)
14	02-04-1746	Ball Bearing	(2)	44	28-10-0620	Vertical Adjusting Bracket	(1)
15	34-80-2960	Retaining Ring-Internal	(1)	45	45-88-0660	Angular Adjusting Washer	(1)
16	38-50-1075	Gear Spindle	(1)	46	43-98-0190	Vertical Adjusting Knob	(1)
17	32-75-2770	Spindle Gear	(1)	47	06-55-1985	5/16-18 Hex Nut	(1)
18	06-95-0212	8-32x1/2 Pan Hd. Screw	(4)	48	28-10-0600	Angular Adjusting Bracket	(1)
19	02-50-2423	Needle Bearing	(1)	49	45-88-0650	Angular Adjusting Washer	(1)
20	14-30-0280	Gear Case Assembly	(1)	50	43-98-0110	Depth Adjusting Knob	(1)
21	06-81-8625	6-32x1/4 Ground Screw	(1)	51	06-83-0800	8-32x3/8 Hds. Set Screw	(1)
22	06-95-0370	10-24x1-3/4 Pan Hd. Screw	(2)	52	06-95-3241	8-32x 1/2 Fl. Hd. Screw	(4)
23	16-70-0030	120V. Armature	(1)	53	45-16-0320	Saw Shoe	(1)
24	23-16-0690	Field Insulating Sleeve	(1)	54	22-64-0775	Cord Set	(1)
25	18-70-0030	120V. Field	(1)	55	45-36-0990	Spacer	(1)
26	02-04-0850	Ball Bearing	(1)	56	06-95-0265	8-32x1-7/8 Pan Hd. Screw	(1)
27	42-70-0200	Ground Clip	(1)	57	49-96-6200	9/16" Wrench (Not Shown)	(1)
28	06-55-0825	8-32 Hex Nut	(5)	58	12-98-7081	Caution Plate (Not Shown)	(1)
29	31-50-0150	Motor Housing Assembly	(1)				
30	23-66-0355	Switch	(1)				

*NOTE: SEE REVERSE SIDE OF THIS BULLETIN

The vertical adjustment set screw for serial numbers 546-1001 thru 2625 saws has been replaced with 06-83-1900 8-32 x 1/2" LG set screw and 06-55-0825 8-32 hex nut (used to lock set screw in place), see drawing.



6365 & 6365-2 7¹/₄ CIRCULAR SAW
SERIAL NOS. 546-1001 THRU 546-2625
ONLY