



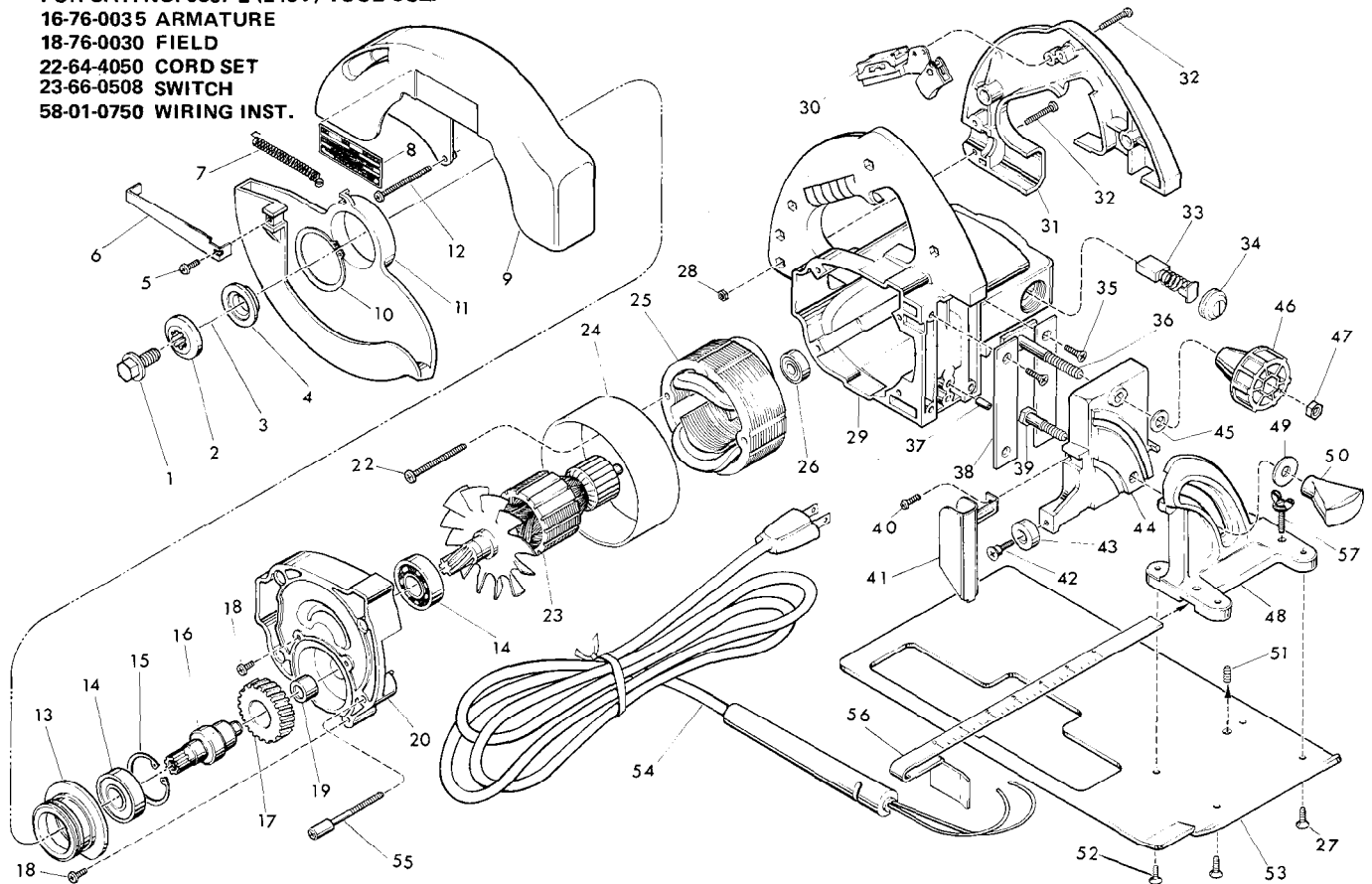
SERVICE PARTS LIST

BULLETIN NO.
54-40-0120

| | | | |
|--------------------------------------------------------|------------------------------|----------------------------------|----------|
| SPECIFY CATALOG NO. AND SERIAL NO. WHEN ORDERING PARTS | | REVISED BULLETIN | DATE |
| D.I. 7-1/4" CIRCULAR SAW | | | Dec. '80 |
| CATALOG NO. 6367 | STARTING SERIAL NO. 632-1001 | WIRING INSTRUCTION 58-01-0751 | |

FOR CAT. NO. 6367-2 (240V) TOOL USE:

- 16-76-0035 ARMATURE
- 18-76-0030 FIELD
- 22-64-4050 CORD SET
- 23-66-0508 SWITCH
- 58-01-0750 WIRING INST.



| FIG. | PART NO. | DESCRIPTION OF PART | NO. REQ. | FIG. | PART NO. | DESCRIPTION OF PART | NO. REQ. |
|------|----------|---------------------------------------------------------------------------|----------|------|------------|----------------------------|----------|
| | 1 | 06-75-0474 Blade Screw | (1) | 31 | 31-44-0480 | L. H. Handle | (1) |
| | 2 | 45-88-0286 Spindle Blade Retaining Washer | (1) | 32 | 06-81-0472 | 8-32x1 Pan Hd. Screw | (5) |
| | 3 | - 7-1/4 Blade (Select From Catalog) | (1) | 33 | 22-18-0550 | Carbon Brush Assembly | (2) |
| | 4 | 43-34-0251 Spindle Flange | (1) | 34 | 23-44-0160 | Brush Retaining Screw | (2) |
| | 5 | 06-95-0210 8-32x3/8 Pan Hd. Screw | (1) | 35 | 06-95-3240 | 8-32x3/4 Fl. Hd. Screw | (4) |
| | 6 | 43-62-0660 Lower Guard Handle | (1) | 36 | 45-58-0250 | Vertical Adjusting Stud | (1) |
| | 7 | 40-50-3750 Lower Guard Spring | (1) | 37 | 06-65-1580 | 3/16x1/2 Lg. Roll Pin | (1) |
| | 8 | 12-99-0190 Nameplate Blank | (1) | 38 | 44-66-0650 | Vertical Bracket Plate | (2) |
| | 9 | 28-41-0710 Upper Guard | (1) | 39 | 45-58-0240 | Angular A-Adjusting Stud | (1) |
| | 10 | 34-60-2210 Retaining Ring-External | (1) | 40 | 06-95-0210 | 8-32x3/8 Pan Hd. Screw | (1) |
| | 11 | 28-41-0720 Lower Guard | (1) | 41 | 43-54-0305 | Front Blade Guard Assembly | (1) |
| | 12 | 06-95-0260 8-32x1-5/8 Pan Hd. Screw | (3) | 42 | 45-04-0485 | Guard Bumper Screw | (1) |
| | 13 | 43-78-0250 Lower Guard Hub | (1) | 43 | 42-38-0075 | Rubber Bumper | (1) |
| | 14 | 02-04-1746 Ball Bearing | (2) | 44 | 28-10-0625 | Vertical Adjusting Bracket | (1) |
| | 15 | 34-80-2960 Retaining Ring-Internal | (1) | 45 | 45-88-0660 | Angular Adjusting Washer | (1) |
| | 16 | 38-50-5185 Gear Spindle | (1) | 46 | 43-98-0190 | Vertical Adjusting Knob | (1) |
| | 17 | 32-75-2770 Spindle Gear | (1) | 47 | 06-55-1985 | 5/16-18 Hex Nut | (1) |
| | 18 | 06-95-0211 8-32x3/8 Pan Hd. Screw | (4) | 48 | 28-10-0600 | Angular Adjusting Bracket | (1) |
| | 19 | 02-50-2423 Needle Bearing | (1) | 49 | 45-88-0650 | Angular Adjusting Washer | (1) |
| | 20 | 14-30-0290 Gear Case Assembly | (1) | 50 | 43-98-0110 | Depth Adjusting Knob | (1) |
| | 21 | 12-98-7082 Caution Plate (Not Shown) | (1) | 51 | 06-83-0800 | 8-32x3/8 Hdls. Set Screw | (1) |
| | 22 | 06-95-0370 10-24x1-3/4 Pan Hd. Screw | (2) | 52 | 06-95-3241 | 8-32x1/2 Fl. Hd. Screw | (1) |
| | 23 | 16-70-0035 120V. Armature | (1) | 53 | 45-16-0320 | Saw Shoe | (1) |
| | 24 | 23-16-0691 Field Insulating Sleeve | (1) | 54 | 22-64-0780 | Cord Set | (1) |
| | 25 | 18-70-0035 120V. Field | (1) | 55 | 06-95-0267 | Shoulder Screw | (1) |
| | 26 | 02-04-0850 Ball Bearing | (1) | 56 | 49-02-0050 | Rip Fence (Optional) | (1) |
| | 27 | 06-95-3250 8-32x5/8 Flat Hd. Phil. Dr. Screw | (3) | 57 | 06-88-0100 | Wing Screw (Optional) | (2) |
| | 28 | 06-55-0825 8-32 Hex Nut | (5) | 58 | 49-96-6200 | 9/16" Wrench (Not Shown) | (1) |
| | 29 | 31-50-0150 Motor Housing Assembly (Includes Two 22-20-0350 Brush Inserts) | (1) | | | | |
| | 30 | 23-66-0505 Switch | (1) | | | | |